

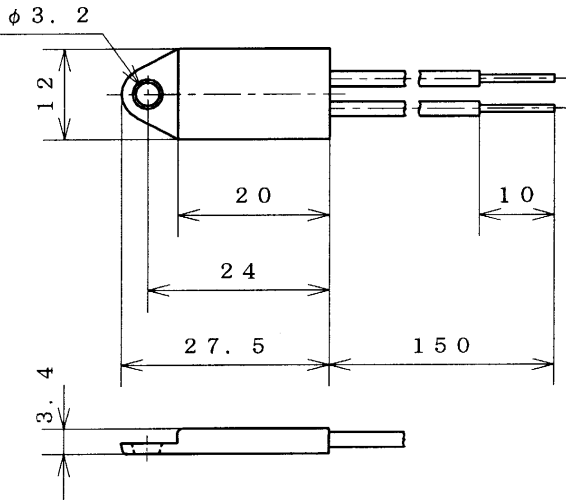


Small & Thin

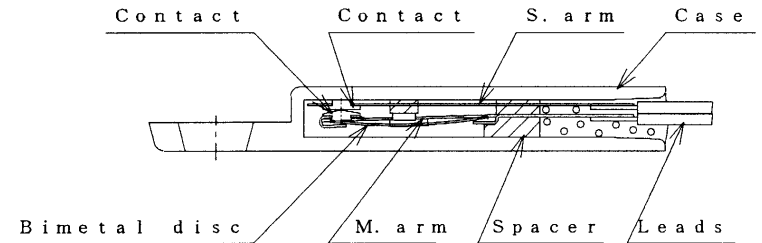
Drip-proof Type Automatic Reset

Type S S 1 U

Dimensions



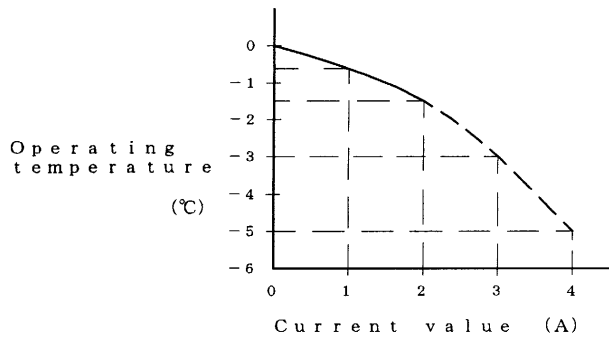
Structure



Materials of parts

Part	Material
Case	Polybutylene terephthalate
M. arm	Beryllium copper
Leads	PVC 0.3mm ²
Contacts	Silver-Nickel alloy

Drift of operating temperature by current value
When Contact close



Specifications

Item	Specification
1. Basic features	SPST Automatic reset
2. Operation	L:Contacts open on temperature rise F:Contacts close on temperature rise
3. Electrical rating	AC250V/2A
4. Calibration method	Hot & cold air circulation system
5. Temperature rating	Operating temperature Max.100°C
6. Insulation resistance	Not less than 1000MΩ/DC500V
7. Dielectric strength	Not less than AC1500V/1min. or AC1800V/1sec.

Standard

UL 873 UL File No. E43273 AC125V/2A