

# AD2-28

107 x 95 x 47 mm

## Versatile Split Refrigeration Controller



### Main features

- Cyclic defrosts
- Synchronized defrost start and termination with master-slave connection
- Selectable NTC10K or PTC input
- FLEXICOLD function for energy saving or alternative setpoint
- Optional control of a second compressor or evaporator
- Excellent evaporator fan control
- Absolute or relative temperature alarms, door open alarm, condenser high temperature/pressure alarm
- Light and standby control (On/Off)
- Connection to LAE supervisory systems
- Available display unit: LCD-5S or RU33

### Applications

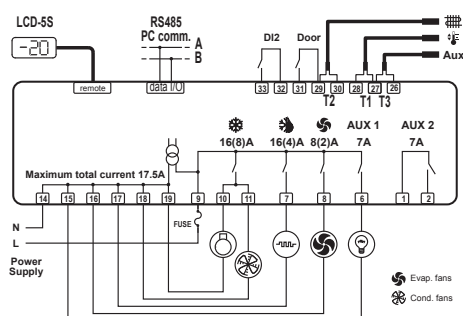
Upright refrigerators, plug-in and supermarket display cases, cold stores, control panels.

### AD2-28 series

Functions		B1T5E-A	C1S4E-A	C1S5E-B
Temperature inputs	Thermostat	•	•	•
	Evaporator	•	•	•
	Auxiliary		•	•
Door switch	Voltage free	•	•	•
	Voltage free	•	•	•
Digital input aux.DI2	12÷24Vac			
	Defrost synchronisation			
	Quick on M/F			
Connections	On screw terminals	•	•	•
	LCD-5S		•	•
Displays	RU33	•		
	Thermostat	•	•	•
Outputs	Evaporator fans	•	•	•
	Defrost	•	•	•
	Auxiliary 1	•	•	•
	Auxiliary 2	•		•
	Power supply	•	•	•
Serial port	TTL	•	•	
	RS-485			•

› All models come with an alarm buzzer.

› In order to know more options available for the models, please consult LAE or our local dealer.



### Technical data

Range	-50...120°C, -55...240°F
Resolution	0.1 / 1 °C; °F
Precision	NTC10K: <math>\pm 0.3^{\circ}\text{C}</math> (-40.0÷70.0°C) PTC1000: <math>\pm 0.5^{\circ}\text{C}</math> (-50÷120°C)
Sensor type	Selectable NTC10K standard mod. SN4B20P1/P2/P3 or PTC1000
Power supply	230V~ ±10% 50÷60Hz 3W
Ambient temperature	-10÷50°C

# AD2-28



## Technical data LCD-5S display unit

Dimensions	77 x 35 x 20 mm (WxHxD)
Panel cut-out	71 x 29 mm (WxH)
Front protection	IP55
Ambient temperature	-10÷50°C



## Technical data RU33 display unit

Dimensions	169 x 38 x 25 mm (WxHxD)
Panel cut-out	163 x 31.5 mm (WxH)
Front protection	IP55
Ambient temperature	-10÷50°C