

AC1-5

77 x 35 x 77 mm

Two channel universal Controller, ON/OFF or PID



Main features

- Runs on universal mains power supply
- PID with autotuning or ON/OFF control
- Main output on 12A relay or for SSR-piloting and auxiliary output on 5A relay
- Input for 0÷1V, 0/4÷20mA, PTC/NTC10K, TC J/K or Pt100
- 0.1 / 1°C or 1°F resolution
- Selectable Refrigerating/Heating (Dehumidifying/Humidifying) control
- Absolute or relative temperature alarms
- ON/OFF button on front
- Connectivity to LAE TAB supervisory systems

Applications

Temperature: Control of small cold stores, refrigerated cabinets and tables, heating systems, heated cupboards, bains-marie, ovens, laboratory equipment.

Humidity: Control of greenhouses, seasoning cells, cold rooms, air-conditioned rooms.

Series AC1-5

| Functions | AC1-5T... | AC1-5P... | AC1-5J... | AC1-5A... | AC1-5I... | |
|----------------------------|--------------------|---------------|--|---------------|---------------|-----------------------|
| Input type | PTC | NTC10K* | Pt100 | TC "J" TC "K" | 0÷1V | 0/4÷20mA |
| Range | -50 +150°C | -40 +125°C | -100 +850°C | -50 +750°C | -50 +999°C | Configurable in setup |
| Accuracy | ±0.3°C | ±0.3°C | ±0.3°C ^[a] ±1°C ^[b] | ±3°C | ±3mV | ±0.2mA |
| Resolution | 0.1 / 1°C / 1°F | | 1°C / 1°F | | 0.1 / 1 | |
| Panel cut-out | 71 x 29 mm (W x H) | | | | | |
| Ambient temperature | -10÷50°C | | | | | |

^[a] -50÷150°C; ^[b] remaining range

* The standard NTC10K is the SN4B20P1

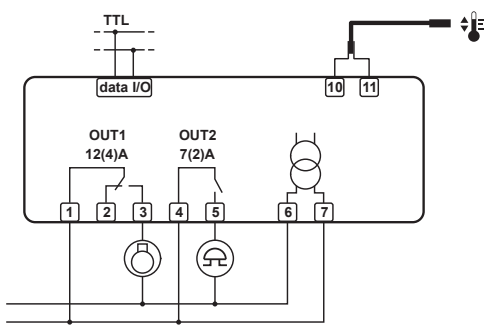
How to order:

➤ AC1-5TS2RW-A (PTC/NTC10K input, screw terminals, 2 relays, 115÷230Vac supply voltage, TTL port)

➤ AC1-5JS2MW-B (J/K TC input, screw terminals, output 1 on SSR drive, output 2 on relay, 115÷230Vac supply voltage, RS485 port)

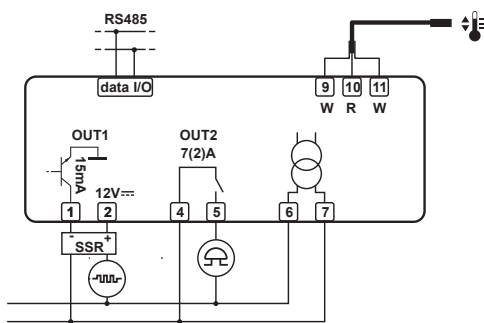
➤ On request, the AC1-5 is also available with gasket for a better protection between bezel and panel.

➤ In order to know versions available, please consult LAE or our local dealer.



115...230V~

AC1-5TS2RW-A



115...230V~

AC1-5PS2MW-B

| | AC1-5 | T | S | 2 | R | W | -B |
|------|-------------|---|-----|-----|-----|-----|-----|
| | | (1) | (2) | (3) | (4) | (5) | (6) |
| Pos. | Function | Description | | | | | |
| (1) | Input | A = 0÷1V; I = 0/4÷20mA; J = TC 'J'/'K'; P = Pt100; T = PTC/NTC10K | | | | | |
| (2) | Connections | S = built-in screw terminals | | | | | |
| (3) | Output No. | 1 = one; 2 = two | | | | | |
| (4) | Output type | R = relay; M = Out1 on SSR, Out2 on relay | | | | | |
| (5) | Supply | D* = 12Vac/dc; W = 115...230Vac 50/60Hz; 3 W | | | | | |
| (6) | Serial comm | Nil = no; -A = TTL; -B = RS485 | | | | | |

* = in the version with 12Vac/dc power supply, the maximum voltage on the outputs is 50Vac/dc, in order to ensure safety insulations.