

WINTSYS

**WINTSYS®**



Wintsys®

**LBP**

**R452A**

MODEL NUMBER	REFRIGERATION OUTPUT 32° amb., 10K superheating, 3K subcooling, Mid/Mid						REFRIG. OUTPUT EN13215 Evap. T -35°C		Acc. P db(A)	Air flow m3/h	Liq. Rec. Vol.	Diam. for tubing O.D.		Net/ Gross weight kg	No. Dim	Maximum current according to voltage code	
	Evaporation temperature (°C):						Perf. (W)	COP (W/W)				Suc.	Liqu. Line			FZ	TZ
	-35°	-30°	-25°	-20°	-15°	-10°											
WINAE2425Z	302	411	542	699	884	1100	340	0.94	26	1650	0.75	3/8"	1/4"	53/71	S	4.5	na
WINAJ2440Z	429	601	806	1048	1331	1662	484	0.95	27	1650	1.50	1/2"	1/4"	61/79	S	6.2	na
WINAJ2446Z	565	763	999	1280	1612	2003	643	1.03	27	1650	1.50	1/2"	3/8"	63/81	S	8.7	3.4
WINAJ2464Z	765	1026	1337	1699	2116	2589	867	1.02	28	1650	1.50	5/8"	3/8"	65/83	S	10.5	3.9
WINFH2480Z	1012	1407	1852	2351	2912	3543	1142	1.05	39	1650	2.35	5/8"	1/2"	74/95	M	16.7	7.0
WINFH2511Z	1353	1871	2488	3211	4049	5009	1531	1.08	42	2750	2.35	5/8"	1/2"	82/103	M	24.7	7.9

na : not applicable



Wintsys®

**LBP**

**R404A**

MODEL NUMBER	REFRIGERATION OUTPUT 32° amb., 10K superheating, 3K subcooling, Mid/Mid						REFRIG. OUTPUT EN13215 Evap. T -35°C		Acc. P db(A)	Air flow m3/h	Liq. Rec. Vol.	Diam. for tubing O.D.		Net/ Gross weight kg	No. Dim	Maximum current according to voltage code	
	Evaporation temperature (°C):						Perf. (W)	COP (W/W)				Suc.	Liqu. Line			FZ	TZ
	-35°	-30°	-25°	-20°	-15°	-10°											
WINAE2425Z	306	412	540	690	867	1071	378	0.99	26	1650	0.75	3/8"	1/4"	53/71	S	4.5	na
WINAJ2440Z	436	595	787	1013	1277	1582	542	0.97	27	1650	1.50	1/2"	1/4"	61/79	S	6.2	na
WINAJ2446Z	573	768	999	1270	1586	1951	712	1.06	27	1650	1.50	1/2"	3/8"	63/81	S	8.7	3.4
WINAJ2464Z	774	1033	1337	1688	2087	2532	957	1.05	28	1650	1.50	5/8"	3/8"	65/83	S	10.5	3.9
WINFH2480Z	1056	1429	1851	2324	2853	3441	1311	1.11	39	1600	2.35	5/8"	1/2"	74/95	M	16.7	7.0
WINFH2511Z	1366	1882	2489	3190	3989	4889	1700	1.11	42	2750	2.35	5/8"	1/2"	82/103	M	24.7	7.9

na : not applicable

For information, the cooling capacity of fluids R449A and R448A: at the evaporation point To = -30°C, SH10K, apply the multiplier ratio 0.94 to the cooling capacities read with R404A.



**MHBP**
**R452A**

**Wintsys®**

MODEL NUMBER	REFRIGERATION OUTPUT 32° amb., 10K superheating, 3K subcooling, Mid/Mid							REFRIG. OUTPUT EN13215 Evap. T -10°C		Acc. P db(A)	Air flow m3/h	Liq. Rec. Vol.	Diam. for tubing O.D.		Net/ Gross weight kg	No. Dim	Maximum current according to voltage code	
	Evaporation temperature (°C):							Perf. (W)	COP (W/W)				Suc.	Liqu. Line			FZ	TZ
	-25°	-15°	-10°	-5°	0°	5°	15°											
WINAE4450Z	368	638	805	1004	1237	1506	2167	820	1.78	27	1650	0.75	3/8"	1/4"	53/71	S	5.6	na
WINAE4460Z	470	771	957	1178	1436	1735	2470	981	1.84	28	1650	0.75	3/8"	1/4"	53/71	S	6.4	na
WINAE4470Z	474	833	1056	1324	1641	2019	3004	1081	1.66	29	1650	0.75	3/8"	1/4"	53/71	S	7.6	na
WINAJ9480Z	607	1027	1286	1590	1943	2348	3329	1316	1.90	30	1650	1.50	1/2"	3/8"	62/80	S	7.3	3.7
WINAJ9510Z	758	1263	1571	1934	2352	2830	3988	1614	1.93	30	1650	1.50	5/8"	3/8"	63/81	S	8.9	4.1
WINAJ9513Z	914	1568	1968	2432	2963	3566	5005	2021	2.08	30	1650	1.50	5/8"	3/8"	65/83	S	11.8	4.9
WINAJ4517Z	1008	1689	2094	2562	3097	3711	5216	2171	1.96	30	1650	2.35	5/8"	3/8"	65/83	S	13.2	4.7
WINAJ4519Z	1130	2093	2596	3171	3828	4587	6519	2708	1.72	32	1650	2.35	5/8"	3/8"	65/83	S	15.5	6.7
WINFH4524Z	1319	2439	3122	3911	4807	5821	8236	3213	1.83	39	2750	2.35	5/8"	1/2"	79/100	M	20.3	8.4
WINFH4531Z	1797	3150	3947	4868	5922	7129	10089	4092	1.90	41	2750	3.90	7/8"	1/2"	83/104	M	23.1	9.7
WINAW4538Z	2174	3851	4814	5877	7027	8267	11132	5008	2.98*	47	2750	3.90	7/8"	1/2"	79/100	M	27.0 <sup>a</sup>	9.7 <sup>b</sup>

Statement of the seasonal COP / na: not applicable / <sup>a</sup> voltage code XC, <sup>b</sup> voltage code XG, <sup>c</sup> voltage code YZ, <sup>d</sup> voltage code MZ

**MHBP**
**R404A**

**Wintsys®**

MODEL NUMBER	REFRIGERATION OUTPUT 32° amb., 10K superheating, 3K subcooling							REFRIG. OUTPUT EN13215 Evap. T -10°C		Acc. P db(A)	Air flow m3/h	Liq. Rec. Vol.	Diam. for tubing O.D.		Net/ Gross weight kg	No. Dim	Maximum current according to voltage code	
	Evaporation temperature (°C):							Perf. (W)	COP (W/W)				Suc.	Liqu. Line			FZ	TZ
	-25°	-15°	-10°	-5°	0°	5°	15°											
WINAE4450Z	370	627	790	980	1199	1450	2065	870	1.81	27	1650	0.75	3/8"	1/4"	53/70	S	5.6	na
WINAE4460Z	476	762	942	1152	1394	1673	2354	1039	1.87	28	1650	0.75	3/8"	1/4"	53/70	S	6.4	na
WINAE4470Z	547	888	1096	1334	1605	1912	2648	1209	1.87	29	1650	0.75	3/8"	1/4"	53/70	S	7.6	na
WINAJ9480Z	614	1014	1266	1556	1888	2265	3172	1396	1.92	30	1650	2.35	1/2"	3/8"	62/79	S	7.3	3.7
WINAJ9510Z	768	1248	1549	1894	2286	2730	3793	1710	1.95	30	1650	2.35	5/8"	3/8"	63/80	S	8.9	4.1
WINAJ9513Z	924	1548	1938	2382	2881	3440	4759	2143	2.10	30	1650	2.35	5/8"	3/8"	65/82	S	11.8	4.9
WINAJ4517Z	1016	1671	2066	2512	3012	3575	4941	2296	1.97	30	1650	2.35	5/8"	3/8"	65/82	S	13.2	4.7
WINAJ4519Z	1223	2068	2562	3108	3719	4408	6141	2860	1.73	32	1650	2.35	5/8"	3/8"	65/82	S	15.5	6.7
WINFH4524Z	1316	2397	3064	3817	4658	5593	7793	3405	1.84	39	2750	3.90	5/8"	1/2"	79/100	M	20.3	8.4
WINFH4531Z	1809	3112	3892	4767	5747	6847	9517	4333	1.91	41	2750	3.90	7/8"	1/2"	83/104	M	23.1	9.7
WINAW4538Z	2203	3774	4704	5724	6828	8007	10621	5239	2.97*	47	2970	3.90	7/8"	1/2"	79/100	M	27.0 <sup>a</sup>	9.7 <sup>b</sup>

Statement of the seasonal COP / na: not applicable / <sup>a</sup> voltage code XC, <sup>b</sup> voltage code XG, <sup>c</sup> voltage code YZ, <sup>d</sup> voltage code MZ

For information, the cooling capacity of fluids R449A and R448A: at the evaporation point To = -30°C, SH10K, apply the multiplier ratio 0.94 to the cooling capacities read with R404A.





Wintsys®

MHBP

R513A

MODEL NUMBER	REFRIGERATION OUTPUT 32° amb., 10K superheating, 3K subcooling							REFRIG. OUTPUT EN13215 Evap. T -10°C		Aco. P db(A)	Air flow m3/h	Liq. Rec. Vol.	Diam. for tubing O.D.		Net/ Gross weight kg	No. Dim	Maximum current according to voltage code	
	Evaporation temperature (°C):							Perf. (W)	COP (W/W)				Suc.	Liqu. Line			FZ	TZ
	-15°	-10°	-5°	0°	5°	10°	15°											
WINAE4450Y	616	773	959	1178	1435	1734	2079	835	1.66	28	1650	0.75	3/8"	1/4"	53/71	S	5.1	na
WINAE4460Y	692	871	1081	1328	1614	1944	2318	941	1.96	28	1650	0.75	3/8"	1/4"	53/71	S	5.0	na
WINAJ4476Y	798	1032	1306	1626	1999	2429	2922	1117	1.72	28	1650	1.50	1/2"	3/8"	62/80	S	8.3	na
WINAJ4492Y	1035	1323	1656	2036	2466	2947	3480	1430	1.94	27	1650	1.50	1/2"	3/8"	62/80	S	9.4	3.8
WINAJ4511Y	1329	1675	2065	2503	2987	3516	4089	1815	2.10	29	1650	1.50	5/8"	3/8"	63/81	S	9.1	4.1
WINAJ4513Y	1425	1809	2248	2748	3313	3945	4650	1958	2.10	28	1650	1.50	5/8"	3/8"	63/81	S	10.4	na
WINFH4518Y	1685	2231	2863	3590	4416	5347	6387	2421	1.79	36	2750	2.35	5/8"	3/8"	75/96	M	11.9	4.9
WINFH4525Y	2377	3026	3776	4634	5606	6699	7919	3297	1.92	40	2750	2.35	5/8"	3/8"	77/98	M	15.9	7.4

na : not applicable



Wintsys®

MHBP

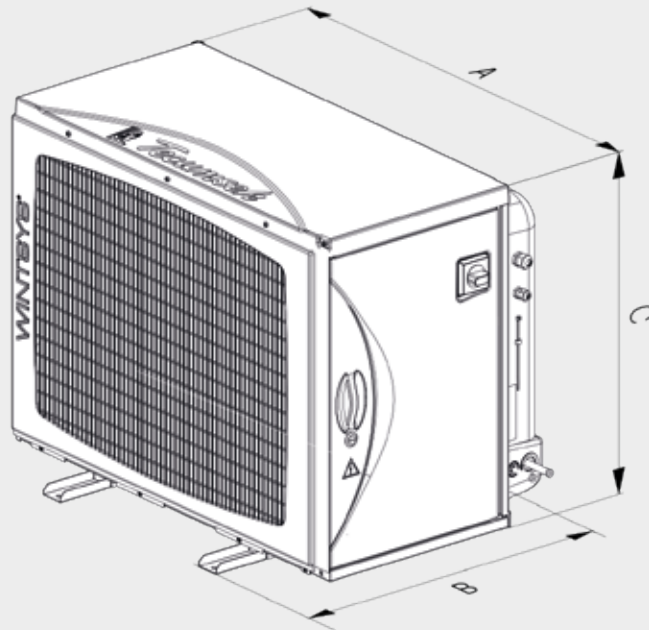
R134a

MODEL NUMBER	REFRIGERATION OUTPUT 32° amb., 10K superheating, 3K subcooling							REFRIG. OUTPUT EN13215 Evap. T -10°C		Aco. P db(A)	Air flow m3/h	Liq. Rec. Vol.	Diam. for tubing O.D.		Net/ Gross weight kg	No. Dim	Maximum current according to voltage code	
	Evaporation temperature (°C):							Perf. (W)	COP (W/W)				Suc.	Liqu. Line			FZ	TZ
	-15°	-10°	-5°	0°	5°	10°	15°											
WINAE4450Y	571	730	918	1138	1395	1691	2032	780	1.65	28	1650	0.75	3/8"	1/4"	53/73	S	5.1	na
WINAE4460Y	642	823	1035	1283	1569	1896	2266	879	1.95	28	1650	0.75	3/8"	1/4"	53/73	S	5.0	na
WINAJ4476Y	740	975	1250	1571	1943	2369	2856	1043	1.71	28	1650	1.50	1/2"	3/8"	62/81	S	8.3	na
WINAJ4492Y	947	1235	1571	1960	2404	2908	3474	1319	1.91	27	1650	1.50	1/2"	3/8"	62/82	S	9.4	3.8
WINAJ4511Y	1220	1568	1967	2418	2924	3486	4105	1679	2.07	29	1650	1.50	5/8"	3/8"	63/83	S	9.1	4.1
WINAJ4513Y	1307	1691	2136	2648	3231	3893	4641	1809	2.07	28	1650	1.50	5/8"	3/8"	63/83	S	10.4	na
WINFH4518Y	1548	2091	2730	3473	4330	5308	6421	2242	1.76	36	2750	2.35	5/8"	3/8"	75/101	M	11.9	4.9
WINFH4525Y	2190	2848	3616	4504	5523	6686	8012	3062	1.89	40	2750	2.35	5/8"	3/8"	77/104	M	15.9	7.4

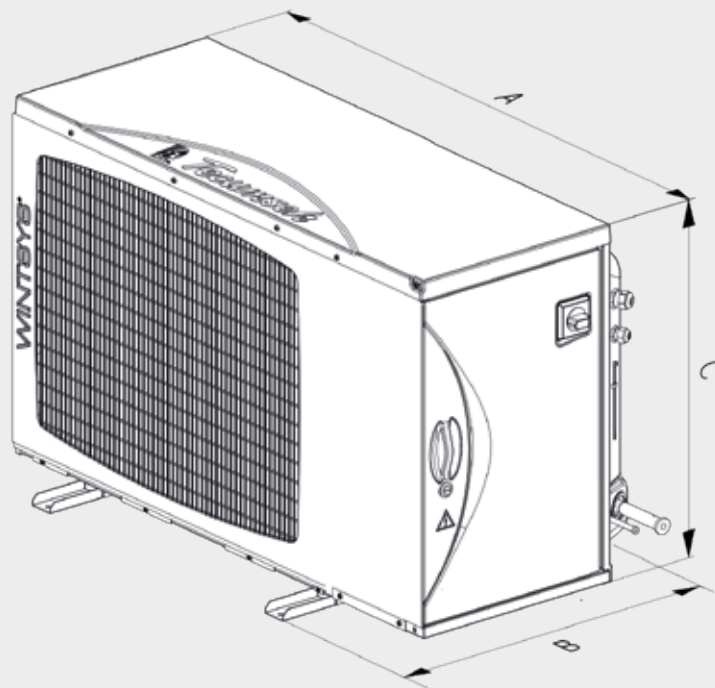
na : not applicable

# DIMENSIONS



## Wintsys®



SIZE S

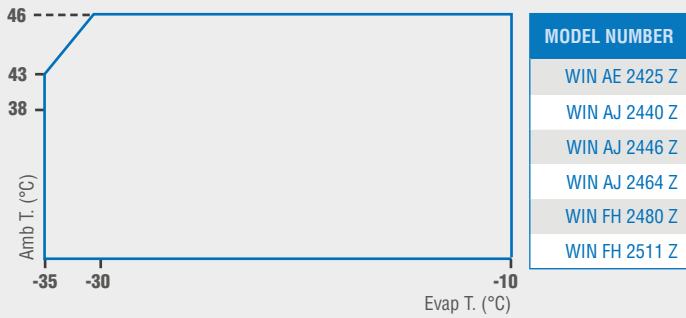


SIZE M

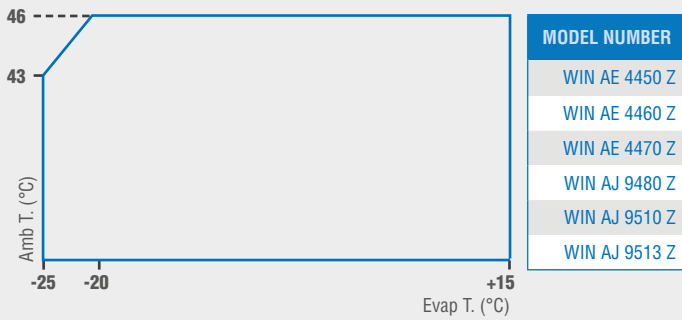
		A	B	C
	S	942	654	710
	M	1174	654	710

# APPLICATION WINDOWS

## LBP R452A R404A



## MHBP R452A R404A



## MHBP R134a R513A

