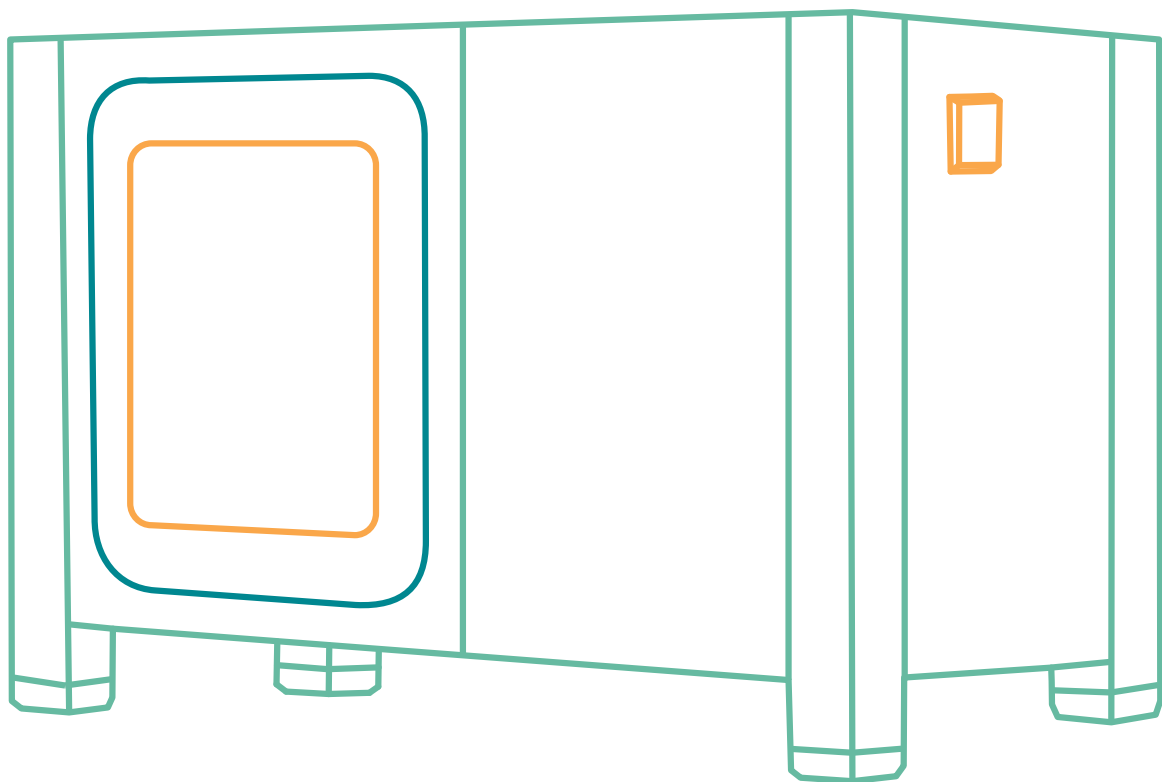


# BIOMA CONDENSING UNITS

AN EMBRACO INNOVATIVE SOLUTION FOR  
**COMMERCIAL REFRIGERATION**






Multi-Refrigerant Platform

● R404A ● R452A ● R449A

● R134a ● R513A

**embraco**  
Cooling Solutions

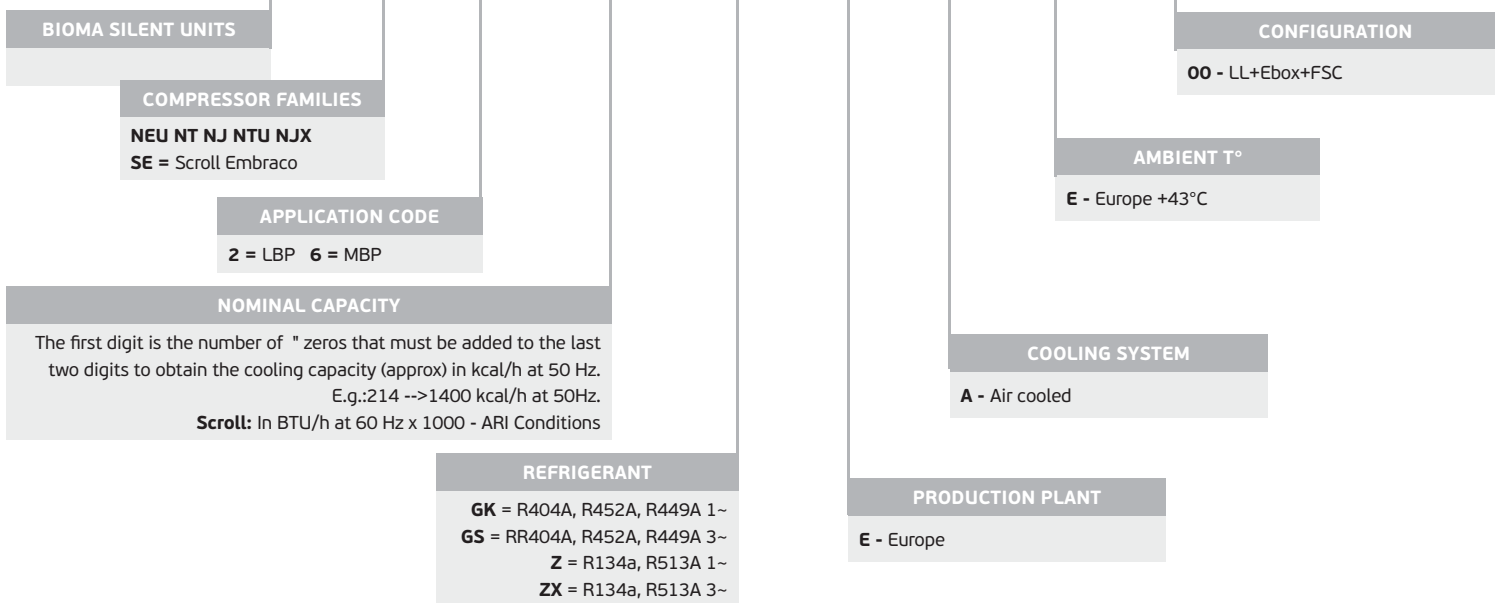
## THREE SIZES: A COMPLETE RANGE

HOUSING	DIMENSIONS (mm)	
1	982 x 484 x 600	
2	1082 x 490 x 708	
3	1277 x 538 x 1005	

## NOMENCLATURE

### MODEL DESCRIPTION

**UP- NT 2 180 GK E A E 00**



## REFRIGERANTS MAP AND EQUIPMENT LEVEL

APPLICATION	SUPPLY	HOUSING	MODEL	R404A	R452A	R449A	R134A	R513A	E00						
									Low noise fan	Fan speed control	Liquid line	Fully equipped electr. box	Acoustic foam in compressor compart.	Acoustic jacket	
MBP	1~	1	UP-NEU6212GK	●	●	●			✓	✓	✓	✓	✓		
			UP-NEU6215GK	●	●	●			✓	✓	✓	✓	✓		
			UP-NEU6220GK	●	●	●			✓	✓	✓	✓	✓		
			UP-NT6224GK	●	●	●			✓	✓	✓	✓	✓		
			UP-NT6226GK	●	●	●			✓	✓	✓	✓	✓		
			UP-NJ9232GK	●	●	●			✓	✓	✓	✓	✓		
				UP-NTU6238GKV	●	●	●			✓	✓	✓	✓		
		2		UP-SE6015GK	●	●	●	●	●	✓	✓	✓	✓	✓	✓
				UP-SE6018GK	●	●	●	●	●	✓	✓	✓	✓	✓	✓
				UP-SE6021GK	●	●	●	●	●	✓	✓	✓	✓	✓	✓
		3~	1	UP-NJ9232GS	●	●	●			✓	✓	✓	✓	✓	
				UP-NJ9238GS	●	●	●			✓	✓	✓	✓	✓	
			2	UP-NJX6250GS	●	●	●			✓	✓	✓	✓	✓	
				UP-SE6015GS	●	●	●	●	●	✓	✓	✓	✓	✓	✓
				UP-SE6018GS	●	●	●	●	●	✓	✓	✓	✓	✓	✓
				UP-SE6021GS	●	●	●	●	●	✓	✓	✓	✓	✓	✓
			3	UP-SE6026GS	●	●	●	●	●	✓	✓	✓	✓	✓	✓
				UP-SE6030GS	●	●	●	●	●	✓	✓	✓	✓	✓	✓
				UP-SE6036GS	●	●	●	●	●	✓	✓	✓	✓	✓	✓
			UP-SE6043GS	●	●	●	●	●	✓	✓	✓	✓	✓	✓	
		1~	1	UP-NEU6214Z				●	●	✓	✓	✓	✓	✓	
				UP-NJ6220Z				●	●	✓	✓	✓	✓	✓	
		UP-NJ6226Z					●	●	✓	✓	✓	✓	✓		
		3~		UP-NJ6226ZX				●	●	✓	✓	✓	✓	✓	
LBP	1~	1	UP-NT2180GK	●	●				✓	✓	✓	✓	✓		
			UP-NT2192GK	●	●				✓	✓	✓	✓	✓		
			UP-NT2212GK	●	●				✓	✓	✓	✓	✓		
		2	UP-SE2006GK	●	●	●			✓	✓	✓	✓	✓	✓	
			UP-SE2008GK	●	●	●			✓	✓	✓	✓	✓	✓	
		UP-SE2010GK	●	●	●			✓	✓	✓	✓	✓	✓		
	3~	2	UP-NJX2219GS	●	●	●			✓	✓	✓	✓	✓		
			UP-SE2006GS	●	●	●			✓	✓	✓	✓	✓	✓	
			UP-SE2008GS	●	●	●			✓	✓	✓	✓	✓	✓	
			UP-SE2010GS	●	●	●			✓	✓	✓	✓	✓	✓	
		3	UP-SE2012GS-0	●	●	●			✓	✓	✓	✓	✓	✓	
			UP-SE2014GS-0	●	●	●			✓	✓	✓	✓	✓	✓	
UP-SE2017GS-0			●	●	●			✓	✓	✓	✓	✓	✓		
UP-SE2020GS-0	●		●	●			✓	✓	✓	✓	✓	✓			

## R452A - MBP - RTG20

CONDENSING UNITS				COMPRESSORS		AMBIENT TEMP. (°C)	EN13125 - SUBCOOLING 0K - MIDPOINT										POWER		
CONDENSING UNITS MODELS	CONDENSING UNIT BOM	VOLTAGE SUPPLY (V)	I NOM (A)	COMPRESSOR MODELS	COMPRESSOR BOM		COOLING CAPACITY (W)										-25°C	-20°C	-15°C
							-25°C	-20°C	-15°C	-10°C	-5°C	0°C	+5°C	+10°C					
UP-NEU6212GK-EAE00	667HAS6C2FI	CP: 230V-1ph-50Hz Fan: 230V-1ph-50Hz	3,1	NEU6212GK-A-CSIR	958HA51M1AJ	25	-	660	807	979	1174	1388	1619	1863	-	417	452	-	
						32	-	577	713	869	1045	1237	1442	1657	-	427	466	-	
						38	-	506	631	774	933	1105	1288	1477	-	437	480	-	
						43	-	-	564	696	841	996	1159	1327	-	-	493	-	
UP-NEU6215GK-EAE00	669NAS6C4FI	CP: 230V-1ph-50Hz Fan: 230V-1ph-50Hz	2,8	NEU6215GK-A-CSR	959NA5190AF	25	-	887	1078	1296	1536	1794	2068	2352	-	504	559	-	
						32	-	783	956	1152	1369	1602	1847	2101	-	522	578	-	
						38	-	692	850	1029	1226	1437	1659	1887	-	535	595	-	
						43	-	-	763	928	1109	1302	1504	1712	-	-	609	-	
UP-NT6222GK-EAE00	602CAS6C4FI	CP: 230V-1ph-50Hz Fan: 230V-1ph-50Hz	4,3	NT6222GK-A-CSR	922CA0404AF	25	-	1056	1301	1573	1868	2184	2518	2865	-	742	787	-	
						32	-	922	1139	1378	1637	1915	2208	2516	-	756	811	-	
						38	-	-	1000	1211	1440	1685	1945	2218	-	-	836	-	
						43	-	-	-	1076	1279	1497	1729	1974	-	-	-	-	
UP-NT6224GK-EAE00	622RAS6C4FI	CP: 230V-1ph-50Hz Fan: 230V-1ph-50Hz	4,5	NT6224GK-A-CSR	922RA0404AF	25	-	1278	1609	1976	2375	2799	3245	3707	-	801	868	-	
						32	-	1136	1420	1740	2090	2468	2867	3285	-	821	896	-	
						38	-	1005	1254	1538	1853	2195	2560	2943	-	843	923	-	
						43	-	-	1120	1378	1667	1982	2320	2677	-	-	948	-	
UP-NT6226GK-EAE00	603BAS6C4FI	CP: 230V-1ph-50Hz Fan: 230V-1ph-50Hz	4,8	NT6226GK-A-CSR	923BA0204AF	25	-	1420	1761	2146	2569	3024	3503	4000	-	823	901	-	
						32	-	1243	1545	1889	2267	2674	3103	3548	-	854	939	-	
						38	-	1097	1367	1676	2016	2383	2771	3173	-	882	973	-	
						43	-	-	1232	1512	1821	2155	2508	2874	-	-	1000	-	
UP-NJ9232GK-EAE00	643NAS6C4FI	CP: 230V-1ph-50Hz Fan: 230V-1ph-50Hz	5,7	NJ9232GK-A-CSR	943NA1104AF	25	-	1476	1889	2342	2828	3339	3867	4407	-	1015	1113	-	
						32	-	1245	1614	2021	2459	2920	3399	3888	-	1007	1115	-	
						38	-	1052	1380	1745	2141	2560	2995	3439	-	1002	1117	-	
						43	-	-	-	1521	1880	2262	2659	3066	-	-	-	-	
UP-NJ9232GS-EAE00	647NMS6C3FI	CP: 400V-3ph-50Hz Fan: 230V-1ph-50Hz	2,1	NJ9232GS-M	947NM1101AA	25	-	1553	1956	2426	2951	3517	4112	4721	-	920	1025	-	
						32	-	1352	1715	2137	2606	3111	3639	4178	-	914	1031	-	
						38	-	1180	1507	1888	2310	2763	3234	3713	-	914	1040	-	
						43	-	-	-	1685	2067	2476	2901	3330	-	-	-	-	
UP-NTU6238GKV-EAE00	605EAS6C4FI	CP: 230V-1ph-50Hz Fan: 230V-1ph-50Hz	5,6	NTU6238GKV-A-CSR	925EA6004AF	25	-	1819	2198	2656	3168	3708	4255	4788	-	961	1042	-	
						32	-	1612	1946	2349	2799	3272	3746	4203	-	1008	1099	-	
						38	-	-	1729	2085	2482	2897	3310	3703	-	-	1144	-	
						43	-	-	-	1871	2223	2590	2951	3290	-	-	-	-	
UP-NJ9238GS-EAE00	647RMS6C3FI	CP: 400V-3ph-50Hz Fan: 230V-1ph-50Hz	2,9	NJ9238GS-M	947RM1101AA	25	-	1946	2429	2949	3499	4074	4668	5274	-	1108	1230	-	
						32	-	1687	2112	2574	3068	3586	4124	4674	-	1102	1238	-	
						38	-	-	1844	2256	2700	3170	3660	4163	-	-	1248	-	
						43	-	-	-	1998	2401	2831	3281	-	-	-	-	-	
UP-NJX6250GS-EAE00	645BS56C3FI	CP: 400V-3ph-50Hz Fan: 230V-1ph-50Hz	3,4	NJX6250GS-M	945BS2101AA	25	-	2621	3178	3821	4533	5299	6103	6930	-	1413	1564	-	
						32	-	2336	2833	3404	4035	4712	5420	6146	-	1483	1646	-	
						38	-	2080	2530	3043	3608	4211	4839	5480	-	1525	1705	-	
						43	-	-	-	2744	3255	3798	4360	4931	-	-	-	-	
UP-SE6015GK-EAE00	6S1ACS6C4FI	CP: 230V-1ph-50Hz Fan: 230V-1ph-50Hz	8,5	SE6015GK-C	301AC1104AA	25	2330	2848	3445	4125	4887	5730	6649	7642	1469	1580	1702	-	
						32	2095	2578	3128	3746	4436	5195	6023	6917	1620	1742	1876	-	
						38	1874	2329	2838	3406	4034	4723	5473	6283	1768	1899	2043	-	
						43	-	-	2581	3107	3685	4317	5003	5743	-	-	2198	-	
UP-SE6015GS-EAE00	6S1AOS6C3FI	CP: 400V-3ph-50Hz Fan: 230V-1ph-50Hz	3,2	SE6015GS-O	301A01101AA	25	2331	2849	3448	4128	4891	5735	6656	7649	1445	1554	1673	-	
						32	2097	2580	3130	3750	4440	5201	6030	6925	1593	1713	1845	-	
						38	1876	2332	2842	3410	4039	4729	5481	6293	1738	1867	2008	-	
						43	-	-	2585	3112	3691	4324	5012	5754	-	-	2160	-	
UP-SE6018GK-EAE00	6S1BCS6C4FI	CP: 230V-1ph-50Hz Fan: 230V-1ph-50Hz	10,2	SE6018GK-C	301BC1104AA	25	2779	3396	4108	4918	5824	6826	7919	9096	1695	1825	1968	-	
						32	2499	3075	3729	4466	5286	6189	7173	8234	1871	2015	2172	-	
						38	2235	2778	3385	4060	4807	5627	6518	7479	2044	2198	2366	-	
						43	-	-	3078	3704	4392	5143	5958	6837	-	-	2546	-	
UP-SE6018GS-EAE00	6S1BOS6C3FI	CP: 400V-3ph-50Hz Fan: 230V-1ph-50Hz	4,7	SE6018GS-O	301B01101AA	25	2784	3402	4116	4928	5837	6843	7940	9122	1616	1739	1874	-	
						32	2505	3082	3739	4478	5301	6208	7197	8263	1782	1918	2067	-	
						38	2242	2786	3395	4073	4824	5648	6545	7512	1945	2091	2251	-	
						43	-	-	3090	3719	4411	5166	5987	6873	-	-	2421	-	
UP-SE6021GS-EAE00	6S1C0S6C3FI	CP: 400V-3ph-50Hz Fan: 230V-1ph-50Hz	4,9	SE6021GS-O	301C01101AA	25	3132	3821	4613	5508	6504	7597	8780	10046	1801	1943	2101	-	
						32	2811	3455	4182	4996	5896	6879	7943	9081	1988	2145	2317	-	
						38	-	3116	3789	4535	5353	6245	7207	8237	-	2339	2524	-	
						43	-	-	3440	4130	4882	5698	6577	7518	-	-	2716	-	
UP-SE6026GS-EAE00	6S1G0S6C3FI	CP: 400V-3ph-50Hz Fan: 230V-1ph-50Hz	6,2	SE6026GS-O	301G01101AA	25	4049	4955	6007	7212	8571	10084	11747	13554	2286	2451	2631	-	
						32	3652	4499	5468	6567	7800	9169	10672	12306	2516	2698	2897	-	
						38	3280	4079	4980	5990	7117	8364	9732	11218	2741	2937	3150	-	
						43	-	3702	4547	5486	6526	7673	8929	10294	-	-	3159	3384	-
UP-SE6030GS-EAE00	6S1D0S6C3FI	CP: 400V-3ph-50Hz Fan: 230V-1ph-50Hz	6,6	SE6030GS-O	301D01101AA	25	4548	5559	6728	8058	9551	11204	13008	14957	2510	2697	2903	-	
						32	4096	5040	6116	7329	8681	10174	11802	13561	2765	2971	3197	-	
						38	3671	4561	5560	6674	7909	9266	10745	12342	3013	3235	3478	-	
						43	-	-	5067	6101	7239	8485	9841	11305	-	-	3737	-	
UP-SE6036GS-EAE00	6S1E0S6C3FI	CP: 400V-3ph-50Hz Fan: 230V-1ph-50Hz	7,6	SE6036GS-O	301E01101AA	25	5636	6895	8357	10028	11911	14006	16305	18801	2950	3169	3408	-	
						32	5083	6261	7608	9133	10842	12737	14816	17072	3254	3495	3759	-	
						38	4566	5677	6928	8331	9894	11620	13512	15566	3550	3809	4093	-	
						43	-	5152	6327	7630	9073	10662	12399	14286	-	-	4102	4401	-
UP-SE6043GS-EAE00	6S1F0S6C3FI	CP: 400V-3ph-50Hz Fan: 230V-1ph-50Hz	8,6	SE6043GS-O	301F01101AA	25	6593	8052	9733	11641	13772	16122	18677	21424	3520	3795	4098	-	
						32	5931	7293	8839	10576	12506	14626	16929	19405	3887	4189	4521	-	
						38	5308	6592	8026	9620	11380	13306	15395	17641	4245	4570	4926	-	
						43	-	-	7305	8783	10403	12170	14083	16139	-	-	5300	-	

GENERAL DATA & PERFORMANCE

INPUT (W)					ECO DESIGN		DIMENSIONS (mm)			WEIGHT	ACOUSTICS dB (A)		CONDENSER/FAN					LIQUID RECEIVER		CONNECTION DIAMETERS			
-10°C	-5°C	0°C	+5°C	+10°C	Type	Cop/Seer	W (width)	D (depth)	H (height)	Net (kg)	Sound Press. @10m	Sound power level	Number of fan	Fan diameter (mm)	Airflow (m³/h)	Fan power (W)	Voltage supply (V)	Internal volume (dm³)	dm³	Suction (mm)	Liquid (mm)	Suction (")	Liquid (")
484	514	544	572	601	COP	1,73	982	484	600	67	28	59	1	350	1695	67	230/1/50	0,23	1,6	10	6	3/8	1/4
503	539	574	610	646																			
521	562	604	645	688																			
538	584	629	676	724																			
613	669	726	787	853																			
636	697	762	832	909	COP	1,82	982	484	600	67	28	59	1	350	1695	67	230/1/50	0,23	1,6	10	6	3/8	1/4
658	725	797	877	965																			
677	750	830	919	1017																			
845	914	991	1074	1158																			
860	950	1029	1111	1193																			
905	980	1058	1138	1215	COP	1,6	982	484	600	69	29	60	1	350	1695	67	230/1/50	0,23	1,6	12	8	1/2	3/8
928	1003	1079	1155	1227																			
937	1010	1086	1167	1252																			
973	1055	1140	1230	1324																			
1007	1095	1187	1283	1383																			
1037	1129	1225	1325	1430	COP	1,84	982	484	600	69	29	60	1	350	1523	67	230/1/50	0,45	2,3	12	8	1/2	3/8
983	1070	1162	1261	1369																			
1028	1121	1220	1326	1441																			
1067	1166	1271	1383	1504																			
1099	1203	1314	1431	1557																			
1214	1320	1432	1555	1690	COP	1,64	982	484	600	76	30	61	1	350	1523	67	230/1/50	0,45	2,3	16	8	5/8	3/8
1227	1344	1470	1606	1755																			
1236	1362	1498	1644	1804																			
1242	1374	1516	1670	1838																			
1129	1236	1352	1479	1624																			
1150	1275	1409	1558	1724																			
1170	1308	1458	1622	1806																			
1188	1336	1496	1673	1870																			
1124	1210	1301	1400	1508	COP	1,97	982	484	600	76	30	61	1	350	1523	67	230/1/50	0,45	2,3	16	8	5/8	3/8
1192	1289	1393	1505	1626																			
1246	1354	1468	1591	1724																			
1288	1404	1527	1659	1801																			
1354	1483	1624	1780	1957																			
1377	1525	1685	1862	2062																			
1399	1560	1735	1929	2148																			
1417	1588	1775	1982	-																			
1722	1891	2071	2264	2470	COP	1,88	1082	490	708	88	34	65	1	400	2673	120	230/1/50	0,71	3,9	16	10	5/8	3/8
1817	1998	2191	2396	2615																			
1892	2088	2296	2516	2750																			
1953	2165	2389	2625	2874																			
1833	1972	2116	2264	2414																			
2020	2172	2329	2490	2653																			
2197	2359	2527	2699	2872																			
2360	2530	2707	2887	3069																			
1802	1938	2080	2225	2372	COP	1,89	1082	490	708	92	33	64	1	400	2673	120	230/1/50	0,71	3,9	18	12	3/4	1/2
1986	2134	2288	2446	2606																			
2159	2318	2483	2651	2822																			
2319	2486	2659	2836	3014																			
2122	2285	2454	2628	2805																			
2340	2518	2702	2891	3083																			
2547	2736	2933	3135	3339																			
2736	2936	3142	3354	3567																			
2020	2174	2334	2499	2666	COP	2,02	1082	490	708	92	33	64	1	400	2545	120	230/1/50	0,91	3,9	18	12	3/4	1/2
2226	2394	2569	2748	2929																			
2422	2601	2788	2978	3171																			
2601	2790	2985	3185	3387																			
2272	2454	2645	2842	3044																			
2503	2701	2907	3120	3336																			
2723	2933	3152	3377	3606																			
2925	3145	3373	3609	3848																			
2823	3024	3232	3444	3656	SEPR	3,12	1277	538	1005	107	36	67	1	500	5195	220	230/1/50	1,34	6	22	16	7/8	5/8
3108	3329	3558	3789	4022																			
3377	3615	3859	4108	4357																			
3623	3874	4131	4393	4655																			
3125	3359	3602	3851	4104																			
3440	3695	3960	4231	4505																			
3737	4010	4293	4582	4874																			
4010	4297	4594	4897	5202																			
3664	3933	4211	4494	4779	SEPR	3,35	1277	538	1005	107	36	67	1	500	4739	220	230/1/50	2,23	6	22	16	7/8	5/8
4040	4335	4639	4948	5260																			
4394	4710	5036	5367	5700																			
4719	5051	5394	5743	6093																			
4426	4772	5135	5508	5888																			
4878	5256	5649	6052	6463																			
5307	5710	6128	6557	6991																			
5701	6123	6561	7009	7463																			

Note: Subject to modification without prior notification.

# R452A - MBP - SH10K

CONDENSING UNITS				COMPRESSORS		AMBIENT TEMP.	EN13125 - SUBCOOLING 0K - MIDPOINT								POWER		
CONDENSING UNITS MODELS	CONDENSING UNIT BOM	VOLTAGE SUPPLY (V)	I NOM (A)	COMPRESSOR MODELS	COMPRESSOR BOM		COOLING CAPACITY (W)								-25°C	-20°C	-15°C
						(°C)	-25°C	-20°C	-15°C	-10°C	-5°C	0°C	+5°C	+10°C			
UP-NEU6212GK-EAE00	667HAS6C2FI	CP: 230V-1ph-50Hz Fan: 230V-1ph-50Hz	3,1	NEU6212GK-A-CSIR	958HA51M1AJ	25	-	627	773	947	1147	1368	1610	1869	-	414	448
						32	-	540	675	834	1014	1214	1431	1662	-	423	461
						38	-	466	590	734	898	1079	1274	1482	-	432	474
						43	-	-	520	653	803	967	1144	1331	-	-	486
UP-NEU6215GK-EAE00	669NAS6C4FI	CP: 230V-1ph-50Hz Fan: 230V-1ph-50Hz	2,8	NEU6215GK-A-CSR	959NA5190AF	25	-	840	1031	1252	1497	1766	2055	2359	-	499	553
						32	-	731	903	1102	1325	1569	1831	2108	-	515	571
						38	-	636	792	974	1177	1400	1639	1892	-	528	587
						43	-	-	702	869	1056	1261	1482	1716	-	-	600
UP-NT6222GK-EAE00	602CAS6C4FI	CP: 230V-1ph-50Hz Fan: 230V-1ph-50Hz	4,3	NT6222GK-A-CSR	922CA0404AF	25	-	999	1242	1516	1818	2145	2494	2865	-	735	779
						32	-	860	1074	1316	1582	1871	2183	2514	-	747	801
						38	-	-	931	1144	1380	1638	1917	2216	-	-	824
						43	-	-	-	1006	1216	1447	1699	1971	-	-	-
UP-NT6224GK-EAE00	622RAS6C4FI	CP: 230V-1ph-50Hz Fan: 230V-1ph-50Hz	4,5	NT6224GK-A-CSR	922RA0404AF	25	-	1210	1540	1911	2317	2757	3225	3720	-	793	859
						32	-	1061	1343	1666	2025	2419	2843	3296	-	811	885
						38	-	924	1170	1457	1781	2140	2531	2951	-	831	911
						43	-	-	1031	1291	1589	1922	2287	2683	-	-	934
UP-NT6226GK-EAE00	603BAS6C4FI	CP: 230V-1ph-50Hz Fan: 230V-1ph-50Hz	4,8	NT6226GK-A-CSR	923BA0204AF	25	-	1345	1685	2074	2506	2977	3481	4012	-	814	892
						32	-	1160	1461	1807	2195	2619	3075	3558	-	843	928
						38	-	1007	1275	1586	1937	2322	2739	3181	-	869	959
						43	-	-	1131	1414	1734	2088	2472	2881	-	-	984
UP-NJ9232GK-EAE00	643NAS6C4FI	CP: 230V-1ph-50Hz Fan: 230V-1ph-50Hz	5,7	NJ9232GK-A-CSR	943NA1104AF	25	-	1399	1808	2262	2756	3284	3841	4420	-	1005	1103
						32	-	1164	1527	1934	2380	2860	3367	3897	-	996	1102
						38	-	968	1288	1654	2057	2495	2959	3446	-	989	1102
						43	-	-	1098	1426	1793	2193	2622	3072	-	-	-
UP-NJ9232GS-EAE00	647NMS6C3FI	CP: 400V-3ph-50Hz Fan: 230V-1ph-50Hz	2,1	NJ9232GS-M	947NM1101AA	25	-	1469	1870	2341	2875	3459	4082	4734	-	912	1016
						32	-	1261	1620	2042	2521	3045	3604	4188	-	904	1020
						38	-	1084	1405	1785	2217	2690	3195	3722	-	902	1026
						43	-	-	-	1576	1968	2399	2858	3337	-	-	-
UP-NTU6238GKV-EAE00	605EAS6C4FI	CP: 230V-1ph-50Hz Fan: 230V-1ph-50Hz	5,6	NTU6238GKV-A-CSR	925EA6004AF	25	-	1718	2099	2562	3085	3646	4225	4803	-	949	1029
						32	-	1501	1835	2244	2706	3201	3711	4216	-	993	1083
						38	-	-	1608	1970	2381	2820	3271	3714	-	-	1126
						43	-	-	-	1747	2115	2508	2909	3301	-	-	-
UP-NJ9238GS-EAE00	647RMS6C3FI	CP: 400V-3ph-50Hz Fan: 230V-1ph-50Hz	2,9	NJ9238GS-M	947RM1101AA	25	-	1838	2319	2842	3404	4002	4631	5287	-	1098	1218
						32	-	1571	1992	2457	2963	3506	4081	4683	-	1089	1223
						38	-	-	1715	2151	2588	3084	3613	4170	-	-	1230
						43	-	-	-	1866	2283	2739	3230	-	-	-	-
UP-NJX6250GS-EAE00	645BSS6C3FI	CP: 400V-3ph-50Hz Fan: 230V-1ph-50Hz	3,4	NJX6250GS-M	945BS2101AA	25	-	2472	3035	3688	4418	5211	6055	6937	-	1402	1548
						32	-	2184	2680	3256	3902	4607	5358	6144	-	1461	1622
						38	-	1913	2358	2875	3456	4090	4767	5476	-	1503	1681
						43	-	-	-	2562	3092	3671	4289	4936	-	-	-
UP-SE6015GK-EAE00	651ACS6C4FI	CP: 230V-1ph-50Hz Fan: 230V-1ph-50Hz	8,5	SE6015GK-C	301AC1104AA	25	2169	2688	3289	3979	4761	5636	6604	7663	1450	1557	1677
						32	1927	2401	2947	3572	4281	5076	5959	6929	1590	1710	1843
						38	1688	2128	2631	3205	3856	4587	5402	6300	1733	1862	2004
						43	1474	1888	2358	2893	3499	4180	4940	5781	1867	2001	2150
UP-SE6015GS-EAE00	651AOS6C3FI	CP: 400V-3ph-50Hz Fan: 230V-1ph-50Hz	3,2	SE6015GS-O	301A01101AA	25	2171	2690	3292	3983	4765	5641	6610	7671	1426	1532	1649
						32	1929	2403	2950	3576	4286	5082	5966	6938	1564	1681	1812
						38	1690	2130	2634	3209	3861	4594	5410	6310	1704	1830	1970
						43	1477	1891	2362	2898	3504	4187	4948	5791	1835	1967	2113
UP-SE6018GK-EAE00	651BCS6C4FI	CP: 230V-1ph-50Hz Fan: 230V-1ph-50Hz	10,2	SE6018GK-C	301BC1104AA	25	2588	3206	3922	4744	5674	6714	7864	9121	1672	1799	1939
						32	2299	2863	3514	4258	5101	6047	7096	8249	1836	1977	2132
						38	2013	2537	3137	3821	4595	5465	6433	7501	2003	2154	2320
						43	1759	2252	2812	3449	4170	4980	5884	6884	2159	2316	2491
UP-SE6018GS-EAE00	651BOS6C3FI	CP: 400V-3ph-50Hz Fan: 230V-1ph-50Hz	4,7	SE6018GS-O	301B01101AA	25	2592	3212	3930	4754	5687	6731	7885	9148	1594	1714	1847
						32	2305	2871	3524	4271	5117	6066	7120	8278	1749	1882	2030
						38	2021	2547	3148	3834	4612	5487	6459	7532	1907	2050	2208
						43	1767	2262	2825	3464	4188	5003	5912	6917	2055	2204	2369
UP-SE6021GS-EAE00	651COS6C3FI	CP: 400V-3ph-50Hz Fan: 230V-1ph-50Hz	4,9	SE6021GS-O	301C01101AA	25	2916	3606	4401	5308	6329	7464	8712	10069	1773	1912	2067
						32	2583	3213	3934	4756	5681	6714	7853	9098	1949	2102	2273
						38	2258	2842	3507	4261	5112	6062	7115	8268	2126	2290	2472
						43	1969	2519	3140	3843	4635	5521	6504	7586	2291	2462	2652
UP-SE6026GS-EAE00	651GOS6C3FI	CP: 400V-3ph-50Hz Fan: 230V-1ph-50Hz	6,2	SE6026GS-O	301G01101AA	25	3769	4679	5741	6965	8360	9930	11677	13599	2261	2421	2597
						32	3366	4199	5165	6277	7544	8973	10569	12333	2473	2651	2849
						38	2963	3737	4629	5651	6816	8133	9607	11242	2690	2882	3094
						43	2600	3330	4164	5117	6202	7430	8807	10339	2895	3096	3318
UP-SE6030GS-EAE00	651DOS6C3FI	CP: 400V-3ph-50Hz Fan: 230V-1ph-50Hz	6,6	SE6030GS-O	301D01101AA	25	4235	5249	6426	7777	9308	11024	12922	15000	2478	2660	2862
						32	3771	4698	5768	6994	8384	9945	11679	13586	2714	2917	3141
						38	3311	4172	5159	6286	7565	9003	10605	12373	2955	3172	3413
						43	2900	3711	4634	5685	6876	8217	9714	11371	3180	3407	3659
UP-SE6036GS-EAE00	651EOS6C3FI	CP: 400V-3ph-50Hz Fan: 230V-1ph-50Hz	7,6	SE6036GS-O	301E01101AA	25	5246	6511	7985	9684	11617	13791	16206	18862	2917	3129	3363
						32	4685	5844	7185	8727	10484	12463	14671	17108	3196	3433	3695
						38	4125	5201	6439	7858	9474	11299	13339	15599	3483	3737	4018
						43	3621	4636	5794	7117	8623	10324	12231	14350	3751	4018	4312
UP-SE6043GS-EAE00	651FOS6C3FI	CP: 400V-3ph-50Hz Fan: 230V-1ph-50Hz	8,6	SE6043GS-O	301F01101AA	25	6140	7601	9292	11227	13413	15853	18544	21480	3471	3738	4035
						32	5456	6792	8328	10082	12066	14287	16745	19440	3812	4108	4438
						38	4783	6023	7439	9053	10877	12923	15194	17694	4159	4476	4828
						43	4183	5351	6676	8179	9879	11787	13910	16254	4482	4813	5181



# R449A - MBP - RTG20

CONDENSING UNITS				COMPRESSORS		AMBIENT TEMP.	EN13125 - SUBCOOLING 0K - MIDPOINT										POWER			
CONDENSING UNITS MODELS	CONDENSING UNIT BOM	VOLTAGE SUPPLY (V)	I NOM (A)	COMPRESSOR MODELS	COMPRESSOR BOM		COOLING CAPACITY (W)										-25°C	-20°C	-15°C	
							(°C)	-25°C	-20°C	-15°C	-10°C	-5°C	0°C	+5°C	+10°C					
UP-NEU6212GK-EAE00	667HAS6C2FI	CP: 230V-1ph-50Hz Fan: 230V-1ph-50Hz	3,1	NEU6212GK-A-CSIR	958HA51M1AJ	25	-	-	732	899	1094	1317	1568	1843	-	-	438	-25°C	-20°C	-15°C
						32	-	-	656	819	1006	1217	1449	1700	-	-	418			
						38	-	-	601	754	927	1119	1328	1553	-	-	432			
						43	-	-	-	694	851	1024	1211	1412	-	-	-			
UP-NEU6215GK-EAE00	669NAS6C4FI	CP: 230V-1ph-50Hz Fan: 230V-1ph-50Hz	2,8	NEU6215GK-A-CSR	959NA5190AF	25	-	-	991	1210	1461	1744	2056	2391	-	-	515	-25°C	-20°C	-15°C
						32	-	-	895	1104	1341	1603	1886	2188	-	-	535			
						38	-	-	824	1016	1231	1466	1719	1985	-	-	555			
						43	-	-	-	1126	1334	1556	1789	2056	-	-	-			
UP-NT6222GK-EAE00	602CAS6C4FI	CP: 230V-1ph-50Hz Fan: 230V-1ph-50Hz	4,3	NT6222GK-A-CSR	922CA0404AF	25	-	-	1205	1485	1798	2138	2502	2885	-	-	-	-25°C	-20°C	-15°C
						32	-	-	1090	1342	1619	1919	2239	2574	-	-	762			
						38	-	-	-	1208	1452	1716	1996	2290	-	-	-			
						43	-	-	-	1300	1533	1780	2040	-	-	-				
UP-NT6224GK-EAE00	622RAS6C4FI	CP: 230V-1ph-50Hz Fan: 230V-1ph-50Hz	4,5	NT6224GK-A-CSR	922RA0404AF	25	-	-	1470	1834	2238	2677	3147	3645	-	-	803	-25°C	-20°C	-15°C
						32	-	-	1335	1660	2023	2420	2846	3300	-	-	837			
						38	-	-	1217	1511	1840	2201	2591	3007	-	-	866			
						43	-	-	-	-	1680	2013	2374	2759	-	-	-			
UP-NT6226GK-EAE00	603BAS6C4FI	CP: 230V-1ph-50Hz Fan: 230V-1ph-50Hz	4,8	NT6226GK-A-CSR	923BA0204AF	25	-	-	1617	2012	2461	2955	3488	4048	-	-	829	-25°C	-20°C	-15°C
						32	-	-	1473	1832	2237	2680	3154	3650	-	-	872			
						38	-	-	1350	1675	2038	2433	2853	3292	-	-	906			
						43	-	-	-	-	1859	2212	2586	2975	-	-	-			
UP-NJ9232GK-EAE00	643NAS6C4FI	CP: 230V-1ph-50Hz Fan: 230V-1ph-50Hz	5,7	NJ9232GK-A-CSR	943NA1104AF	25	-	-	1830	2312	2853	3442	4071	4728	-	-	936	-25°C	-20°C	-15°C
						32	-	-	1642	2082	2574	3109	3676	4265	-	-	961			
						38	-	-	-	1884	2330	2812	3321	3849	-	-	-			
						43	-	-	-	-	2110	2547	3007	3481	-	-	-			
UP-NJ9232GS-EAE00	647NMS6C3FI	CP: 400V-3ph-50Hz Fan: 230V-1ph-50Hz	2,1	NJ9232GS-M	947NM1101AA	25	-	-	1830	2311	2851	3439	4066	4719	-	-	938	-25°C	-20°C	-15°C
						32	-	-	1642	2082	2573	3106	3670	4254	-	-	963			
						38	-	-	-	1884	2328	2809	3315	3836	-	-	-			
						43	-	-	-	-	2109	2544	3000	3466	-	-	-			
UP-NTU6238GKV-EAE00	605EAS6C4FI	CP: 230V-1ph-50Hz Fan: 230V-1ph-50Hz	5,6	NTU6238GKV-A-CSR	925EA6004AF	25	-	-	2059	2541	3089	3676	4279	4874	-	-	965	-25°C	-20°C	-15°C
						32	-	-	1888	2322	2808	3323	3844	4352	-	-	1027			
						38	-	-	-	2113	2543	2992	3441	3871	-	-	-			
						43	-	-	-	-	2297	2689	3077	3444	-	-	-			
UP-NJ9238GS-EAE00	647RMS6C3FI	CP: 400V-3ph-50Hz Fan: 230V-1ph-50Hz	2,9	NJ9238GS-M	947RM1101AA	25	-	-	2292	2832	3410	4020	4661	5327	-	-	1131	-25°C	-20°C	-15°C
						32	-	-	2044	2531	3055	3611	4195	4802	-	-	1158			
						38	-	-	-	2263	2736	3240	3771	4323	-	-	-			
						43	-	-	-	-	-	2908	3393	-	-	-	-			
UP-NJX6250GS-EAE00	645BSS6C3FI	CP: 400V-3ph-50Hz Fan: 230V-1ph-50Hz	3,4	NJX6250GS-M	945BS2101AA	25	-	-	3002	3685	4453	5290	6180	7107	-	-	1447	-25°C	-20°C	-15°C
						32	-	-	2715	3329	4018	4767	5562	6388	-	-	1530			
						38	-	-	-	3011	3635	4311	5026	5766	-	-	-			
						43	-	-	-	-	3313	3929	4578	5248	-	-	-			
UP-SE6015GK-EAE00	6S1ACS6C4FI	CP: 230V-1ph-50Hz Fan: 230V-1ph-50Hz	8,5	SE6015GK-C	301AC1104AA	25	2365	2886	3475	4142	4894	5738	6676	7710	1386	1487	1599	-25°C	-20°C	-15°C
						32	-	2656	3199	3810	4496	5264	6120	7065	-	1649	1774			
						38	-	-	2931	3497	4129	4836	5623	6493	-	-	1953			
						43	-	-	-	3211	3801	4459	5190	6000	-	-	-			
UP-SE6015GS-EAE00	6S1AOS6C3FI	CP: 400V-3ph-50Hz Fan: 230V-1ph-50Hz	3,2	SE6015GS-O	301AO1101AA	25	2366	2888	3477	4144	4897	5742	6681	7717	1364	1463	1572	-25°C	-20°C	-15°C
						32	-	2658	3202	3813	4499	5269	6126	7072	-	1621	1744			
						38	-	-	2934	3500	4134	4842	5630	6502	-	-	1919			
						43	-	-	-	3215	3806	4465	5198	6009	-	-	-			
UP-SE6018GK-EAE00	6S1BCS6C4FI	CP: 230V-1ph-50Hz Fan: 230V-1ph-50Hz	10,2	SE6018GK-C	301BC1104AA	25	2822	3442	4144	4937	5832	6835	7950	9177	1599	1718	1848	-25°C	-20°C	-15°C
						32	-	3167	3814	4541	5357	6271	7287	8409	-	1906	2053			
						38	-	-	3494	4168	4920	5760	6695	7728	-	-	2262			
						43	-	-	-	3826	4528	5310	6179	7140	-	-	-			
UP-SE6018GS-EAE00	6S1BOS6C3FI	CP: 400V-3ph-50Hz Fan: 230V-1ph-50Hz	4,7	SE6018GS-O	301BO1101AA	25	2825	3447	4150	4945	5843	6849	7967	9199	1524	1637	1761	-25°C	-20°C	-15°C
						32	-	3173	3822	4551	5369	6286	7307	8434	-	1815	1954			
						38	-	-	3504	4179	4935	5779	6718	7757	-	-	2151			
						43	-	-	-	3840	4546	5332	6205	7172	-	-	-			
UP-SE6021GS-EAE00	6S1COS6C3FI	CP: 400V-3ph-50Hz Fan: 230V-1ph-50Hz	4,9	SE6021GS-O	301CO1101AA	25	3187	3883	4664	5544	6531	7630	8845	10174	1699	1829	1974	-25°C	-20°C	-15°C
						32	-	3564	4285	5090	5989	6989	8095	9309	-	2031	2193			
						38	-	-	3916	4662	5489	6408	7424	8540	-	-	2419			
						43	-	-	-	4270	5041	5895	6838	7875	-	-	-			
UP-SE6026GS-EAE00	6S1GOS6C3FI	CP: 400V-3ph-50Hz Fan: 230V-1ph-50Hz	6,2	SE6026GS-O	301GO1101AA	25	4097	5006	6040	7218	8555	10063	11751	13623	2158	2308	2471	-25°C	-20°C	-15°C
						32	-	4623	5580	6660	7882	9259	10803	12518	-	2552	2736			
						38	-	-	5133	6137	7267	8537	9961	11547	-	-	3002			
						43	-	-	4716	5661	6718	7904	9232	10712	-	-	3266			
UP-SE6030GS-EAE00	6S1DOS6C3FI	CP: 400V-3ph-50Hz Fan: 230V-1ph-50Hz	6,6	SE6030GS-O	301DO1101AA	25	4613	5631	6782	8087	9562	11216	13058	15090	2369	2539	2727	-25°C	-20°C	-15°C
						32	-	5189	6253	7449	8796	10305	11988	13848	-	2811	3021			
						38	-	-	5740	6850	8093	9484	11035	12752	-	-	3320			
						43	-	-	-	6304	7466	8762	10207	11807	-	-	-			
UP-SE6036GS-EAE00	6S1EOS6C3FI	CP: 400V-3ph-50Hz Fan: 230V-1ph-50Hz	7,6	SE6036GS-O	301EO1101AA	25	5702	6967	8403	10037	11889	13977	16310	18895	2782	2981	3199	-25°C	-20°C	-15°C
						32	-	6433	7761	9260	10954	12860	14994	17364	-	3304	3548			
						38	-	-	7140	8532	10098	11857	13827	16017	-	-	3900			
						43	-	-	6559	7870	9335	10977	12814	14859	-	-	4249			
UP-SE6043GS-EAE00	6S1FOS6C3FI	CP: 400V-3ph-50Hz Fan: 230V-1ph-50Hz	8,6	SE6043GS-O	301FO1101AA	25	6698	8167	9825	11698	13807	16165	18780	21654	3318	3569	3846	-25°C	-20°C	-15°C
						32	-	7515	9046	10762	12686	14835	17222	19851	-	3962	4272			
						38	-	-	8290	9881	11656	13635	15832	18256	-	-	4707			
						43	-	-	-	9077	10735	12578	14622	16879	-	-	-			



GENERAL DATA & PERFORMANCE

INPUT (W)					ECO DESIGN		DIMENSIONS (mm)			WEIGHT	ACOUSTICS dB (A)		CONDENSER/FAN					LIQUID RECEIVER		CONNECTION DIAMETERS			
-10°C	-5°C	0°C	+5°C	+10°C	Type	Cop/Seer	W (width)	D (depth)	H (height)	Net (kg)	Sound Press. @10m	Sound power level	Number of fan	Fan diameter (mm)	Airflow (m³/h)	Fan power (W)	Voltage supply (V)	Internal volume (dm³)	dm³	Suction (mm)	Liquid (mm)	Suction (")	Liquid (")
456	473	493	518	552	COP	1,76	982	484	600	67	28	59	1	350	1695	67	230/1/50	0,23	1,6	10	6	3/8	1/4
453	488	525	565	610																			
478	521	565	609	655																			
504	549	592	635	678																			
562	611	664	721	784																			
587	643	703	770	845	COP	1,84	982	484	600	67	28	59	1	350	1695	67	230/1/50	0,23	1,6	10	6	3/8	1/4
612	675	742	818	902																			
-	702	777	860	953																			
-	851	923	1000	1080																			
823	893	968	1045	1123																			
854	927	1003	1080	1156	COP	1,63	982	484	600	69	29	60	1	350	1695	67	230/1/50	0,23	1,6	12	8	1/2	3/8
-	954	1031	1107	1181																			
865	930	999	1071	1147																			
907	981	1058	1139	1224																			
944	1024	1109	1197	1290																			
-	1061	1152	1248	1347	COP	1,79	982	484	600	69	29	60	1	350	1523	67	230/1/50	0,45	2,3	12	8	1/2	3/8
901	978	1061	1152	1251																			
951	1036	1128	1226	1333																			
993	1086	1184	1290	1403																			
-	1127	1232	1344	1464																			
1025	1117	1215	1322	1443	COP	1,91	982	484	600	76	30	61	1	350	1523	67	230/1/50	0,45	2,3	16	8	5/8	3/8
1063	1170	1285	1412	1554																			
1096	1218	1349	1493	1653																			
-	1257	1402	1562	1738																			
1035	1133	1237	1353	1487																			
1070	1183	1306	1445	1606	COP	1,89	982	484	600	76	30	61	1	350	1523	67	230/1/50	0,45	2,3	16	8	5/8	8
1100	1227	1367	1527	1712																			
-	1264	1419	1596	1801																			
1039	1117	1201	1293	1394																			
1111	1201	1298	1404	1519																			
1168	1270	1380	1498	1627	COP	2,03	982	484	600	76	30	61	1	350	1523	67	230/1/50	0,45	2,3	16	8	5/8	3/8
-	1326	1447	1577	1718																			
1245	1363	1490	1634	1803																			
1284	1419	1567	1738	1937																			
1317	1467	1635	1828	2054																			
-	-	1691	1903	-	COP	1,92	982	484	600	76	30	61	1	350	1523	67	230/1/50	0,45	2,3	16	8	5/8	3/8
1599	1760	1932	2115	2312																			
1696	1871	2059	2260	2475																			
1775	1968	2173	2392	2627																			
-	2050	2273	2511	2763																			
1720	1851	1992	2142	2301	COP	1,96	1082	490	708	92	33	64	1	400	2673	120	230/1/50	0,71	3,9	18	12	5/8	1/2
1909	2054	2210	2375	2552																			
2102	2262	2432	2613	2807																			
2293	2466	2650	2846	3055																			
1691	1820	1958	2105	2261																			
1877	2019	2171	2334	2507																			
2066	2222	2389	2567	2757																			
2252	2422	2603	2795	2999																			
1991	2145	2310	2486	2674	COP	2,02	1082	490	708	92	33	64	1	400	2545	120	230/1/50	0,91	3,9	18	12	3/4	1/2
2211	2382	2565	2760	2968																			
2437	2624	2824	3038	3266																			
2660	2863	3079	3310	3556																			
1896	2041	2198	2365	2543																			
2104	2266	2438	2623	2819																			
2317	2494	2683	2885	3100																			
2527	2718	2923	3141	3372																			
2133	2305	2491	2692	2908	COP	2,1	1082	490	708	92	33	64	1	400	2545	120	230/1/50	0,91	3,9	18	12	3/4	1/2
2370	2561	2767	2989	3228																			
2613	2823	3049	3292	3553																			
2854	3082	3326	3588	3870																			
2649	2839	3042	3256	3481																			
2933	3143	3366	3602	3851																			
3219	3450	3694	3951	4223																			
3501	3750	4013	4291	4584																			
2931	3152	3388	3640	3907	SEPR	3,28	1277	538	1005	107	36	67	1	500	5195	220	230/1/50	1,34	6	22	16	7/8	5/8
3248	3492	3753	4030	4325																			
3570	3837	4122	4426	4748																			
3887	4176	4484	4811	5158																			
3436	3690	3961	4248	4551																			
3811	4091	4390	4706	5039																			
4189	4496	4822	5167	5532																			
4561	4893	5245	5616	6008																			
4149	4476	4829	5207	5610	SEPR	3,35	1277	538	1005	107	36	67	1	500	4739	220	230/1/50	2,23	6	22	16	7/8	5/8
4608	4971	5360	5777	6222																			
5077	5475	5901	6356	6843																			
5540	5970	6430	6921	7445																			

Note: Subject to modification without prior notification.







GENERAL DATA & PERFORMANCE

INPUT (W)					ECO DESIGN		DIMENSIONS (mm)			WEIGHT	ACOUSTICS dB (A)		CONDENSER/FAN						LIQUID RECEIVER		CONNECTION DIAMETERS			
-10°C	-5°C	0°C	+5°C	+10°C	Type	Cop/Seer	W (width)	D (depth)	H (height)	Net (kg)	Sound Press. @10m	Sound power level	Number of fan	Fan diameter (mm)	Airflow (m³/h)	Fan power (W)	Voltage supply (V)	Internal volume (dm³)	dm³	Suction (mm)	Liquid (mm)	Suction (")	Liquid (")	
474	504	535	567	601	COP	1,74	982	484	600	67	28	59	1	350	1695	67	230/1/50	0,23	1,6	10	6	3/8	1/4	
496	532	568	606	644																				
517	557	598	640	683																				
536	579	624	669	715																				
599	654	714	778	849																				
627	687	752	823	900	COP	1,84	982	484	600	67	28	59	1	350	1695	67	230/1/50	0,23	1,6	10	6	3/8	1/4	
652	717	788	865	949																				
674	743	819	902	994																				
835	898	971	1049	1130																				
872	941	1016	1095	1172																				
905	977	1053	1129	1202	COP	1,6	982	484	600	69	29	60	1	350	1695	67	230/1/50	0,23	1,6	12	8	1/2	3/8	
934	1007	1081	1154	1222																				
921	989	1062	1138	1217																				
964	1041	1121	1204	1289																				
1003	1086	1173	1262	1353																				
1037	1126	1217	1311	1407	COP	1,8	982	484	600	69	29	60	1	350	1523	67	230/1/50	0,45	2,3	12	8	1/2	3/8	
964	1046	1134	1228	1328																				
1017	1105	1198	1297	1402																				
1062	1156	1256	1360	1471																				
1100	1200	1306	1416	1532																				
1205	1307	1414	1528	1653	COP	1,66	982	484	600	76	30	61	1	350	1523	67	230/1/50	0,45	2,3	16	8	5/8	3/8	
1230	1340	1457	1584	1721																				
1247	1365	1492	1628	1777																				
1259	1384	1518	1663	1821																				
1117	1220	1328	1447	1579																				
1148	1265	1391	1528	1680	COP	1,87	982	484	600	76	30	61	1	350	1523	67	230/1/50	0,45	2,3	16	8	5/8	8	
1176	1305	1445	1598	1768																				
1199	1339	1491	1658	1842																				
1107	1188	1272	1363	1460																				
1183	1274	1370	1473	1582																				
1244	1346	1454	1568	1689	COP	1,99	982	484	600	76	30	61	1	350	1523	67	230/1/50	0,45	2,3	16	8	5/8	3/8	
1293	1405	1523	1648	1779																				
1348	1471	1602	1746	1908																				
1382	1520	1669	1834	2018																				
1411	1563	1728	1910	2113																				
1436	1599	1777	1974	-	COP	1,89	982	484	600	76	30	61	1	350	1523	67	230/1/50	0,45	2,3	16	8	5/8	3/8	
1710	1880	2056	2238	2421																				
1819	1997	2181	2367	2554																				
1907	2098	2292	2487	2680																				
1978	2183	2389	2594	2795																				
1752	1872	1998	2129	2264	COP	1,95	1082	490	708	92	33	64	1	400	2673	120	230/1/50	0,71	3,9	18	12	5/8	1/2	
1951	2079	2212	2348	2486																				
2144	2279	2417	2557	2698																				
2321	2462	2605	2748	2891																				
1722	1840	1964	2093	2225																				COP
1918	2043	2173	2307	2442																				
2107	2239	2375	2512	2650																				
2281	2419	2558	2699	2840																				
2030	2171	2320	2475	2634	COP	2	1082	490	708	92	33	64	1	400	2545	120	230/1/50	0,91	3,9	18	12	3/4	1/2	
2263	2413	2569	2730	2893																				
2488	2647	2809	2974	3140																				
2695	2860	3028	3197	3365																				
1932	2066	2207	2354	2505																				COP
2153	2295	2443	2595	2749																				
2366	2516	2669	2826	2983																				
2561	2717	2876	3036	3195																				
2299	2467	2644	2828	3017	SEPR	2,94	1082	490	708	92	33	64	1	400	2545	120	230/1/50	0,91	3,9	18	12	3/4	1/2	
2564	2742	2927	3117	3311																				
2819	3006	3198	3393	3590																				
3052	3247	3444	3643	3843																				
2178	2336	2503	2677	2855																				SEPR
2427	2595	2769	2949	3131																				
2667	2843	3024	3208	3394																				
2886	3069	3255	3443	3631																				
2693	2869	3053	3244	3439	SEPR	3,27	1277	538	1005	107	36	67	1	500	5195	220	230/1/50	1,34	6	22	16	7/8	5/8	
2995	3181	3374	3572	3773																				
3287	3484	3684	3888	4093																				
3555	3761	3969	4178	4386																				
2985	3188	3402	3624	3852																				SEPR
3321	3536	3760	3990	4223																				
3645	3872	4104	4341	4579																				
3942	4179	4419	4660	4902																				
3498	3733	3980	4236	4498	SEPR	3,51	1277	538	1005	107	36	67	1	500	4739	220	230/1/50	2,23	6	22	16	7/8	5/8	
3896	4146	4404	4669	4938																				
4282	4545	4813	5086	5361																				
4635	4910	5188	5467	5746																				
4236	4538	4856	5187	5528																				SEPR
4721	5042	5374	5717	6065																				
5189	5526	5871	6223	6578																				
5617	5968	6324	6682	7042																				

Note: Subject to modification without prior notification.





# R134a -MBP - RTG20

CONDENSING UNITS				COMPRESSORS		AMBIENT TEMP. (°C)	EN13125 - SUBCOOLING 0K - MIDPOINT								POWER			
CONDENSING UNITS MODELS	CONDENSING UNIT BOM	VOLTAGE SUPPLY (V)	I NOM (A)	COMPRESSOR MODELS	COMPRESSOR BOM		COOLING CAPACITY (W)								-20°C	-15°C	-10°C	-5°C
							-20°C	-15°C	-10°C	-5°C	0°C	+5°C	+10°C					
UP-NEU6214Z-EA00	668NAS6C4FI	CP: 230V-1ph-50Hz Fan: 230V-1ph-50Hz	2,9	NEU6214Z-A-CSR	269NA5190AF	25	-	770	957	1181	1440	1728	2040	-	439	478	524	
						32	-	716	893	1102	1342	1608	1895	-	457	499	549	
						38	-	667	833	1029	1252	1497	1762	-	471	517	570	
						43	-	-	779	963	1171	1400	1645	-	-	531	588	
UP-NJ6220Z-EA00	644HAS6C4FI	CP: 230V-1ph-50Hz Fan: 230V-1ph-50Hz	6,2	NJ6220Z-A-CSIR	144CA1104AF	25	-	1062	1337	1635	1963	2324	2723	-	673	735	795	
						32	-	925	1182	1457	1760	2093	2462	-	666	741	814	
						38	-	-	1053	1310	1590	1899	2240	-	-	745	829	
						43	-	-	950	1190	1451	1739	2058	-	-	749	842	
UP-NJ6226Z-EA00	642HAS6C4FI	CP: 230V-1ph-50Hz Fan: 230V-1ph-50Hz	5,6	NJ6226Z-A-CSR	142HA1404AF	25	-	1402	1718	2059	2425	2817	3235	-	768	860	957	
						32	-	1223	1519	1836	2175	2538	2924	-	784	885	990	
						38	-	-	1353	1649	1965	2302	2660	-	-	898	1012	
						43	-	-	-	1497	1794	-	-	-	-	-	-	1024
UP-NJ6226Z-EA00	546EMS6C3FI	CP: 400V-3ph-50Hz Fan: 230V-1ph-50Hz	2,2	NJ6226Z-M	148IM1101AA	25	-	1626	1892	2212	2572	2959	3355	-	734	813	903	
						32	-	1386	1647	1951	2286	2638	2991	-	738	831	935	
						38	-	-	1435	1726	2038	2360	2677	-	-	847	963	
						43	-	-	-	1536	1830	-	-	-	-	-	-	986
UP-SE6015GK-EAE00	6S1AC56C4FI	CP: 230V-1ph-50Hz Fan: 230V-1ph-50Hz	5,3	SE6015GK-C	301AC1104AA	25	1564	1941	2413	2972	3612	4325	5102	941	990	1050	1116	
						32	1437	1796	2245	2777	3385	4060	4795	1015	1073	1142	1218	
						38	1331	1668	2092	2595	3171	3809	4504	1084	1150	1226	1310	
						43	1248	1563	1962	2438	2982	3588	4246	1149	1220	1303	1394	
UP-SE6015GS-EAE00	6S1A0S6C3FI	CP: 400V-3ph-50Hz Fan: 230V-1ph-50Hz	2,3	SE6015GS-O	301A01101AA	25	1564	1942	2413	2973	3613	4326	5104	926	975	1033	1098	
						32	1438	1797	2246	2778	3386	4062	4797	999	1056	1124	1198	
						38	1331	1669	2093	2597	3172	3811	4506	1067	1132	1207	1289	
						43	1249	1564	1963	2439	2984	3590	4249	1130	1201	1282	1371	
UP-SE6018GK-EAE00	6S1BC56C4FI	CP: 230V-1ph-50Hz Fan: 230V-1ph-50Hz	6,2	SE6018GK-C	301BC1104AA	25	1865	2315	2877	3543	4305	5153	6077	1079	1137	1206	1284	
						32	1714	2142	2677	3310	4033	4836	5709	1165	1234	1314	1403	
						38	1587	1989	2494	3093	3777	4537	5362	1246	1323	1413	1511	
						43	1488	1863	2339	2905	3553	4273	5054	1321	1405	1502	1609	
UP-SE6018GS-EAE00	6S1B0S6C3FI	CP: 400V-3ph-50Hz Fan: 230V-1ph-50Hz	3,7	SE6018GS-O	301B01101AA	25	1867	2317	2879	3546	4309	5158	6083	1031	1086	1152	1226	
						32	1716	2144	2680	3314	4038	4842	5717	1113	1178	1254	1339	
						38	1589	1991	2497	3098	3783	4544	5371	1190	1263	1348	1441	
						43	1490	1866	2342	2910	3559	4281	5064	1261	1341	1433	1534	
UP-SE6021GK-EAE00	6S1CC56C4FI	CP: 230V-1ph-50Hz Fan: 230V-1ph-50Hz	6,9	SE6021GK-C	301CC1104AA	25	2108	2615	3247	3995	4848	5794	6820	1196	1264	1345	1437	
						32	1936	2417	3018	3727	4534	5426	6393	1292	1372	1465	1569	
						38	1793	2244	2809	3479	4240	5082	5993	1383	1472	1576	1691	
						43	1682	2102	2634	3265	3984	4780	5641	1468	1565	1677	1801	
UP-SE6021GS-EAE00	6S1C0S6C3FI	CP: 400V-3ph-50Hz Fan: 230V-1ph-50Hz	3,8	SE6021GS-O	301C01101AA	25	2111	2618	3251	4000	4854	5801	6829	1138	1202	1279	1365	
						32	1939	2421	3022	3732	4541	5435	6404	1229	1304	1392	1491	
						38	1796	2247	2814	3485	4248	5092	6005	1315	1399	1497	1605	
						43	1685	2106	2639	3272	3993	4792	5655	1395	1486	1592	1709	
UP-SE6026GS-EAE00	6S1G0S6C3FI	CP: 400V-3ph-50Hz Fan: 230V-1ph-50Hz	5	SE6026GS-O	301G01101AA	25	2705	3358	4177	5150	6267	7515	8882	1483	1557	1643	1740	
						32	2488	3112	3895	4824	5888	7076	8373	1598	1685	1786	1897	
						38	2304	2893	3634	4516	5527	6654	7886	1704	1802	1916	2040	
						43	2161	2711	3411	4247	5208	6280	7450	1803	1910	2033	2167	
UP-SE6030GS-EAE00	6S1D0S6C3FI	CP: 400V-3ph-50Hz Fan: 230V-1ph-50Hz	5,4	SE6030GS-O	301D01101AA	25	3051	3787	4707	5800	7050	8445	9967	1614	1697	1796	1907	
						32	2805	3507	4385	5425	6615	7937	9378	1739	1838	1953	2080	
						38	2598	3258	4088	5075	6202	7455	8820	1857	1967	2096	2236	
						43	2437	3054	3837	4770	5839	7029	8324	1965	2086	2225	2377	
UP-SE6036GS-EAE00	6S1E0S6C3FI	CP: 400V-3ph-50Hz Fan: 230V-1ph-50Hz	5,7	SE6036GS-O	301E01101AA	25	3756	4662	5796	7143	8686	10408	12289	1894	1993	2111	2242	
						32	3454	4319	5401	6686	8154	9789	11572	2045	2162	2299	2450	
						38	3199	4014	5038	6256	7649	9200	10889	2186	2318	2470	2638	
						43	3001	3762	4729	5882	7204	8677	10282	2316	2460	2626	2807	
UP-SE6043GS-EAE00	6S1F0S6C3FI	CP: 400V-3ph-50Hz Fan: 230V-1ph-50Hz	6,4	SE6043GS-O	301F01101AA	25	4421	5485	6813	8386	10181	12175	14344	2230	2354	2503	2671	
						32	4063	5075	6338	7832	9534	11420	13467	2410	2556	2727	2918	
						38	3763	4713	5905	7318	8927	10710	12643	2579	2743	2933	3144	
						43	3531	4417	5539	6874	8397	10086	11916	2736	2915	3121	3348	



GENERAL DATA & PERFORMANCE

INPUT (W)			ECO DESIGN		DIMENSIONS (MM)			WEIGHT	ACOUSTICS dB (A)			CONDENSER/FAN					LIQUID RECEIVER	CONNECTION DIAMETERS			
0°C	+5°C	+10°C	Type	Cop/Seer	W (width)	D (depth)	H (height)	Net (kg)	Sound Press. @10m	Sound power level	Number of fan	Fan diameter (mm)	Airflow (m³/h)	Fan power (W)	Voltage supply (V)	Internal volume (dm³)	dm³	Suction (mm)	Liquid (mm)	Suction (")	Liquid (")
578	639	706	COP	1,79	982	484	600	67	28	59	1	350	1695	67	230/1/50	0,23	1,6	10	6	3/8	1/4
605	668	738																			
630	696	768																			
651	720	796																			
861	939	1037	COP	1,6	982	484	600	69	29	60	1	350	1695	67	230/1/51	0,23	1,6	12	6	1/2	1/4
892	982	1093																			
918	1020	1142																			
940	1051	1182																			
1062	1182	1322	COP	1,72	982	484	600	69	29	60	1	350	1695	67	230/1/52	0,23	1,6	12	6	1/2	1/4
1104	1232	1381																			
1134	1272	1429																			
1156	-	-																			
1004	1117	1242	COP	1,98	982	484	600	69	29	60	1	350	1695	67	230/1/53	0,23	1,6	12	6	1/2	1/4
1049	1174	1310																			
1089	1224	1369																			
1122	-	-																			
1186	1259	1331	COP	1,97	1082	490	708	92	33	64	1	400	2673	120	230/1/50	0,71	3,9	18	12	3/4	1/2
1298	1381	1464																			
1400	1491	1583																			
1490	1589	1688																			
1167	1239	1309	COP	2,00	1082	490	708	92	33	64	1	400	2673	120	230/1/50	0,71	3,9	18	12	3/4	1/2
1277	1359	1440																			
1377	1467	1557																			
1466	1563	1660																			
1368	1454	1539	COP	2,04	1082	490	708	92	33	64	1	400	2545	120	230/1/50	0,91	3,9	18	12	3/4	1/2
1498	1596	1694																			
1616	1724	1833																			
1722	1839	1956																			
1305	1386	1467	COP	2,14	1082	490	708	92	33	64	1	400	2545	120	230/1/50	0,91	3,9	18	12	3/4	1/2
1429	1522	1614																			
1541	1643	1746																			
1641	1752	1862																			
1536	1639	1743	COP	2,06	1082	490	708	92	33	64	1	400	2545	120	230/1/50	0,91	3,9	18	12	3/4	1/2
1681	1798	1915																			
1814	1942	2071																			
1933	2071	2209																			
1459	1556	1654	COP	2,17	1082	490	708	92	33	64	1	400	2545	120	230/1/50	0,91	3,9	18	12	3/4	1/2
1596	1706	1817																			
1721	1842	1964																			
1834	1963	2094																			
1841	1945	2045	COP	2,18	1277	538	1005	107	36	67	1	500	5195	220	230/1/50	1,34	6	22	16	7/8	5/8
2014	2134	2250																			
2170	2303	2433																			
2308	2452	2594																			
2025	2146	2265	COP	2,25	1277	538	1005	107	36	67	1	500	5195	220	230/1/50	1,34	6	22	16	7/8	5/8
2215	2353	2490																			
2386	2539	2691																			
2539	2704	2869																			
2381	2524	2664	SEPR	3,21	1277	538	1005	107	36	67	1	500	4739	220	230/1/50	2,23	6	22	16	7/8	5/8
2609	2773	2934																			
2815	2996	3176																			
2998	3194	3389																			
2851	3038	3225	SEPR	3,18	1277	538	1005	107	36	67	1	500	4739	220	230/1/50	2,23	6	22	16	7/8	5/8
3123	3334	3547																			
3369	3602	3836																			
3590	3840	4093																			

**Note:** Subject to modification without prior notification.

# R134a -MBP - SH10K

CONDENSING UNITS				COMPRESSORS		AMBIENT TEMP. (°C)	EN13125 - SUBCOOLING OK - MIDPOINT								POWER				
CONDENSING UNITS MODELS	CONDENSING UNIT BOM	VOLTAGE SUPPLY (V)	I NOM (A)	COMPRESSOR MODELS	COMPRESSOR BOM		COOLING CAPACITY (W)												
							-20°C	-15°C	-10°C	-5°C	0°C	+5°C	+10°C	-20°C	-15°C	-10°C	-5°C		
UP-NEU6214Z-EA00	668NAS6C4FI	CP: 230V-1ph-50Hz Fan: 230V-1ph-50Hz	2,9	NEU6214Z-A-CSR	269NA5190AF	25	-	753	940	1166	1427	1721	2042	-	437	476	523		
						32	-	696	872	1083	1327	1598	1895	-	455	497	547		
						38	-	642	808	1006	1233	1486	1762	-	468		567		
						43	-	-	752	938	1151	1388	1645	-	-	528	585		
UP-NJ6220ZZ-EA00	644HAS6C4FI	CP: 230V-1ph-50Hz Fan: 230V-1ph-50Hz	6,2	NJ6220Z-A-CSIR	144CA1104AF	25	-	1036	1313	1614	1946	2315	2723	-	671	732	792		
						32	-	900	1155	1432	1738	2079	2459	-	663	737	810		
						38	-	-	1021	1278	1563	1882	2240	-	-	741	825		
						43	-	-	914	1157	1425	1727	2066	-	-	745	837		
UP-NJ6226Z-EA00	642HAS6C4FI	CP: 230V-1ph-50Hz Fan: 230V-1ph-50Hz	5,6	NJ6226Z-A-CSR	142HA1404AF	25	-	1369	1687	2030	2401	2802	3233	-	764	855	951		
						32	-	1187	1481	1799	2143	2517	2922	-	779	880	985		
						38	-	-	1308	1607	1932	2285	2669	-	-	893	1007		
						43	-	-	-	1457	1766	-	-	-	-	-	-	1018	
UP-NJ6226ZX-EA00	546EMS6C3FI	CP: 400V-3ph-50Hz Fan: 230V-1ph-50Hz	2,2	NJ6226ZX-M	148IM1101AA	25	-	1588	1856	2180	2547	2943	3354	-	731	809	898		
						32	-	1345	1606	1913	2255	2618	2991	-	734	826	930		
						38	-	-	1390	1684	2005	2343	2684	-	-	842	957		
						43	-	-	-	1497	1802	-	-	-	-	-	-	979	
UP-SE6015GK-EAE00	6S1ACS6C4FI	CP: 230V-1ph-50Hz Fan: 230V-1ph-50Hz	5,3	SE6015GK-C	301AC1104AA	25	1526	1903	2374	2935	3582	4307	5106	945	992	1049	1113		
						32	1386	1744	2193	2729	3345	4037	4797	1009	1066	1134	1210		
						38	1271	1607	2031	2539	3125	3782	4504	1077	1142	1218	1303		
						43	1183	1495	1894	2375	2932	3557	4245	1141	1212	1295	1386		
UP-SE6015GS-EAE00	6S1A0S6C3FI	CP: 400V-3ph-50Hz Fan: 230V-1ph-50Hz	2,3	SE6015GS-O	301A01101AA	25	1527	1903	2375	2936	3583	4309	5108	930	977	1033	1096		
						32	1387	1745	2194	2730	3347	4039	4799	993	1050	1116	1191		
						38	1272	1608	2032	2541	3127	3784	4507	1060	1124	1199	1282		
						43	1183	1496	1896	2377	2934	3559	4248	1123	1193	1274	1363		
UP-SE6018GK-EAE00	6S1BCS6C4FI	CP: 230V-1ph-50Hz Fan: 230V-1ph-50Hz	6,2	SE6018GK-C	301BC1104AA	25	1820	2269	2830	3499	4268	5132	6082	1083	1139	1206	1281		
						32	1653	2079	2614	3252	3986	4808	5712	1158	1225	1305	1394		
						38	1516	1916	2421	3026	3723	4504	5363	1237	1314	1403	1503		
						43	1410	1782	2258	2831	3492	4235	5052	1313	1396	1492	1600		
UP-SE6018GS-EAE00	6S1B0S6C3FI	CP: 400V-3ph-50Hz Fan: 230V-1ph-50Hz	3,7	SE6018GS-O	301B01101AA	25	1822	2271	2833	3502	4272	5137	6088	1036	1088	1152	1223		
						32	1655	2082	2618	3256	3991	4815	5719	1106	1170	1246	1331		
						38	1518	1919	2425	3031	3729	4512	5372	1181	1254	1339	1433		
						43	1412	1785	2262	2836	3499	4243	5062	1253	1332	1423	1525		
UP-SE6021GK-EAE00	6S1CCS6C4FI	CP: 230V-1ph-50Hz Fan: 230V-1ph-50Hz	6,9	SE6021GK-C	301CC1104AA	25	2055	2561	3192	3943	4804	5768	6825	1199	1264	1342	1432		
						32	1866	2345	2946	3660	4479	5394	6395	1284	1362	1455	1559		
						38	1712	2160	2726	3402	4177	5044	5993	1373	1461	1565	1681		
						43	1593	2009	2541	3179	3914	4737	5638	1458	1554	1665	1789		
UP-SE6021GS-EAE00	6S1C0S6C3FI	CP: 400V-3ph-50Hz Fan: 230V-1ph-50Hz	3,8	SE6021GS-O	301C01101AA	25	2058	2564	3196	3947	4810	5775	6834	1141	1202	1276	1361		
						32	1869	2349	2950	3665	4486	5402	6406	1221	1295	1382	1481		
						38	1715	2164	2731	3408	4186	5055	6005	1306	1389	1486	1596		
						43	1596	2013	2546	3186	3923	4748	5652	1386	1476	1581	1698		
UP-SE6026GS-EAE00	6S1G0S6C3FI	CP: 400V-3ph-50Hz Fan: 230V-1ph-50Hz	5	SE6026GS-O	301G01101AA	25	2644	3296	4115	5092	6219	7489	8892	1493	1563	1647	1740		
						32	2402	3025	3808	4743	5823	7037	8378	1590	1675	1775	1887		
						38	2204	2790	3532	4422	5451	6609	7888	1693	1790	1903	2028		
						43	2050	2596	3297	4142	5122	6228	7450	1792	1898	2021	2156		
UP-SE6030GS-EAE00	6S1D0S6C3FI	CP: 400V-3ph-50Hz Fan: 230V-1ph-50Hz	5,4	SE6030GS-O	301D01101AA	25	2980	3714	4634	5730	6993	8412	9976	1622	1702	1797	1904		
						32	2707	3406	4285	5332	6539	7893	9383	1730	1826	1940	2067		
						38	2484	3141	3972	4967	6114	7403	8821	1844	1954	2082	2224		
						43	2311	2923	3706	4650	5741	6969	8322	1953	2073	2211	2364		
UP-SE6036GS-EAE00	6S1E0S6C3FI	CP: 400V-3ph-50Hz Fan: 230V-1ph-50Hz	5,7	SE6036GS-O	301E01101AA	25	3669	4574	5707	7059	8617	10369	12302	1905	2000	2113	2240		
						32	3334	4196	5279	6572	8062	9735	11578	2034	2149	2284	2435		
						38	3059	3869	4895	6124	7542	9136	10892	2171	2302	2454	2623		
						43	2846	3602	4569	5735	7084	8604	10280	2302	2444	2609	2791		
UP-SE6043GS-EAE00	6S1F0S6C3FI	CP: 400V-3ph-50Hz Fan: 230V-1ph-50Hz	6,4	SE6043GS-O	301F01101AA	25	4313	5374	6700	8278	10092	12124	14355	2238	2357	2500	2663		
						32	3918	4926	6189	7693	9421	11353	13472	2395	2538	2708	2900		
						38	3595	4540	5733	7158	8798	10632	12644	2561	2723	2913	3126		
						43	3346	4224	5347	6696	8252	9996	11910	2718	2894	3099	3328		

GENERAL DATA & PERFORMANCE

INPUT (W)			ECO DESIGN		DIMENSIONS (MM)			WEIGHT	ACOUSTICS dB (A)			CONDENSER/FAN					LIQUID RECEIVER	CONNECTION DIAMETERS				
0°C	+5°C	+10°C	Type	Cop/Seer	W (width)	D (depth)	H (height)	Net (kg)	Sound Press. @10m	Sound power level	Number of fan	Fan diameter (mm)	Airflow (m³/h)	Fan power (W)	Voltage supply (V)	Internal volume (dm³)	dm³	Suction (mm)	Liquid (mm)	Suction (")	Liquid (")	
577	638	706																				
603	667	738	-	-	982	484	600	67	28	59	1	350	1695	67	230/1/50	0,23	1,6	10	6	3/8	1/4	
627	694	768																				
648	718	796																				
858	936	1037																				
888	980	1093	-	-	982	484	600	69	29	60	1	350	1695	67	230/1/51	0,23	1,6	12	6	1/2	1/4	
914	1017	1141																				
936	1047	1180																				
1057	1179	1323																				
1100	1230	1381	-	-	982	484	600	69	29	60	1	350	1695	67	230/1/52	0,23	1,6	12	6	1/2	1/4	
1129	1267	1424																				
1147	-	-																				
1000	1115	1243																				
1044	1171	1310	-	-	982	484	600	69	29	60	1	350	1695	67	230/1/53	0,23	1,6	12	6	1/2	1/4	
1083	1220	1367																				
1114	-	-																				
1183	1256	1330																				
1292	1377	1464	-	-	1082	490	708	92	33	64	1	400	2673	120	230/1/50	0,71	3,9	18	12	3/4	1/2	
1394	1489	1585																				
1484	1585	1688																				
1164	1236	1309																				
1271	1355	1440	-	-	1082	490	708	92	33	64	1	400	2673	120	230/1/50	0,71	3,9	18	12	3/4	1/2	
1371	1464	1558																				
1459	1559	1660																				
1364	1450	1538																				
1491	1592	1694	-	-	1082	490	708	92	33	64	1	400	2545	120	230/1/50	0,91	3,9	18	12	3/4	1/2	
1610	1721	1835																				
1714	1834	1955																				
1301	1383	1466																				
1422	1517	1614	-	-	1082	490	708	92	33	64	1	400	2545	120	230/1/50	0,91	3,9	18	12	3/4	1/2	
1535	1640	1748																				
1634	1747	1862																				
1530	1634	1741																				
1673	1793	1916	-	-	1082	490	708	92	33	64	1	400	2545	120	230/1/50	0,91	3,9	18	12	3/4	1/2	
1806	1938	2073																				
1923	2063	2206																				
1453	1551	1653																				
1588	1701	1818	-	-	1082	490	708	92	33	64	1	400	2545	120	230/1/50	0,91	3,9	18	12	3/4	1/2	
1714	1838	1965																				
1825	1957	2092																				
1839	1942	2045																				
2005	2127	2250	-	-	1277	538	1005	107	36	67	1	500	5195	220	230/1/50	1,34	6	22	16	7/8	5/8	
2161	2298	2436																				
2299	2448	2596																				
2020	2142	2264																				
2204	2346	2490	-	-	1277	538	1005	107	36	67	1	500	5195	220	230/1/50	1,34	6	22	16	7/8	5/8	
2376	2534	2694																				
2528	2698	2870																				
2377	2519	2663																				
2597	2765	2934	-	-	1277	538	1005	107	36	67	1	500	4739	220	230/1/50	2,23	6	22	16	7/8	5/8	
2803	2991	3179																				
2986	3187	3390																				
2841	3029	3223																				
3107	3325	3548	-	-	1277	538	1005	107	36	67	1	500	4739	220	230/1/50	2,23	6	22	16	7/8	5/8	
3355	3595	3840																				
3573	3829	4090																				

**Note:** Subject to modification without prior notification.

# R452A - LBP - RTG20

CONDENSING UNITS				COMPRESSORS		AMBIENT TEMP. (°C)	EN13125 - SUBCOOLING OK - MIDPOINT								POWER INPUT (W)			
CONDENSING UNITS MODELS	CONDENSING UNIT BOM	VOLTAGE SUPPLY (V)	I NOM (A)	COMPRESSOR MODELS	COMPRESSOR BOM		COOLING CAPACITY (W)											
						-35°C	-30°C	-25°C	-20°C	-15°C	-10°C	-35°C	-30°C	-25°C	-20°C			
UP-NT2180GK-EAE00	503HAS6C4FI	CP: 230V-1ph-50Hz Fan: 230V-1ph-50Hz	2,4	NT2180GK-A-CSR	923HA0404AF	25	625	793	999	1238	1507	1799	560	617	682	759		
						32	544	700	886	1097	1331	1583	557	631	710	797		
						38	472	617	783	970	1175	1393	564	647	733	824		
						43	-	547	698	864	1044	1234	-	658	747	838		
UP-NT2192GK-EAE00	503EAS6C4FI	CP: 230V-1ph-50Hz Fan: 230V-1ph-50Hz	2,7	NT2192GK-A-CSR	923EA0404AF	25	674	853	1063	1304	1575	1872	585	658	734	818		
						32	583	747	937	1153	1393	1656	590	673	759	852		
						38	506	655	827	1020	1234	1467	593	684	778	879		
						43	-	582	736	910	1101	1308	-	690	790	897		
UP-NT2212GK-EAE00	505DAS6C4FI	CP: 230V-1ph-50Hz Fan: 230V-1ph-50Hz	3,7	NT2212GK-A-CSR	925DA0204AF	25	890	1122	1406	1740	2121	2544	713	801	899	1010		
						32	773	990	1251	1553	1895	2271	718	822	934	1058		
						38	673	874	1113	1386	1692	2028	727	842	965	1097		
						43	-	780	998	1245	1521	1821	-	857	987	1125		
UP-NJX2219GS-EAE00	545ASS6C3FI	CP: 400V-3ph-50Hz Fan: 230V-1ph-50Hz	2,3	NJX2219GS-M	945AS2101AA	25	1231	1604	2059	2586	3174	3812	1000	1138	1290	1457		
						32	1129	1468	1876	2346	2866	3427	1042	1189	1351	1528		
						38	1018	1328	1698	2119	2582	3079	1064	1223	1397	1586		
						43	913	1200	1538	1920	2336	2780	1074	1245	1430	1631		
UP-SE2006GK-EAE00	5S3AC56C4FI	CP: 230V-1ph-50Hz Fan: 230V-1ph-50Hz	5,6	SE2006GK-C	303AC1204AA	25	1435	1750	2129	2576	3099	3699	1115	1186	1264	1349		
						32	1318	1612	1962	2374	2854	3404	1240	1319	1405	1498		
						38	1210	1480	1800	2177	2615	3118	1366	1450	1542	1642		
						43	1120	1365	1656	2000	2400	2861	1493	1580	1676	1780		
UP-SE2006GS-EAE00	5S3AOS6C3FI	CP: 400V-3ph-50Hz Fan: 230V-1ph-50Hz	2,4	SE2006GS-O	303A01201AA	25	1436	1751	2129	2577	3099	3700	1106	1177	1254	1338		
						32	1318	1612	1963	2375	2855	3405	1231	1308	1393	1486		
						38	1211	1480	1801	2178	2616	3120	1355	1438	1529	1628		
						43	1120	1365	1657	2001	2401	2863	1481	1567	1662	1765		
UP-SE2008GK-EAE00	5S3BC56C4FI	CP: 230V-1ph-50Hz Fan: 230V-1ph-50Hz	7,2	SE2008GK-C	303BC1204AA	25	1806	2199	2669	3220	3858	4584	1424	1522	1630	1749		
						32	1654	2017	2448	2951	3531	4191	1589	1696	1815	1945		
						38	1515	1846	2236	2692	3218	3816	1758	1872	1999	2137		
						43	1399	1697	2050	2461	2938	3481	1930	2048	2180	2326		
UP-SE2008GS-EAE00	5S3BOS6C3FI	CP: 400V-3ph-50Hz Fan: 230V-1ph-50Hz	2,7	SE2008GS-O	303B01201AA	25	1807	2201	2670	3222	3860	4588	1397	1493	1599	1715		
						32	1655	2019	2450	2954	3535	4196	1558	1663	1779	1906		
						38	1516	1848	2239	2696	3222	3822	1723	1835	1959	2094		
						43	1400	1700	2053	2465	2943	3488	1891	2007	2136	2278		
UP-SE2010GK-EAE00	5S3CC56C4FI	CP: 230V-1ph-50Hz Fan: 230V-1ph-50Hz	8,4	SE2010GK-C	303CC1204AA	25	2097	2550	3087	3715	4436	5251	1668	1788	1922	2071		
						32	1915	2331	2821	3390	4041	4776	1865	1997	2143	2304		
						38	1751	2128	2569	3081	3667	4328	2069	2209	2365	2538		
						43	1615	1952	2347	2806	3333	3929	2278	2424	2587	2767		
UP-SE2010GS-EAE00	5S3COS6C3FI	CP: 400V-3ph-50Hz Fan: 230V-1ph-50Hz	4,3	SE2010GS-O	303C01201AA	25	2099	2552	3090	3718	4441	5258	1631	1748	1879	2023		
						32	1917	2334	2825	3395	4047	4784	1823	1951	2094	2251		
						38	1753	2131	2573	3086	3674	4337	2021	2158	2310	2478		
						43	1618	1956	2352	2813	3341	3940	2225	2367	2526	2701		
UP-SE2012GS-EAE00	5S3GOS6C3FI	CP: 400V-3ph-50Hz Fan: 230V-1ph-50Hz	5,4	SE2012GS-O	303G01201AA	25	2793	3406	4142	5014	6030	7198	2105	2240	2387	2547		
						32	2565	3137	3819	4621	5555	6626	2342	2491	2653	2830		
						38	2356	2881	3505	4239	5092	6072	2581	2739	2912	3101		
						43	2180	2657	3225	3894	4674	5573	2820	2984	3165	3363		
UP-SE2014GS-EAE00	5S3DOS6C3FI	CP: 400V-3ph-50Hz Fan: 230V-1ph-50Hz	5,2	SE2014GS-O	303D01201AA	25	3238	3945	4792	5791	6951	8278	2246	2394	2558	2737		
						32	2971	3628	4410	5326	6387	7599	2500	2663	2843	3039		
						38	2726	3329	4041	4877	5844	6949	2757	2930	3122	3332		
						43	2522	3068	3715	4474	5356	6366	3016	3196	3396	3615		
UP-SE2017GS-EAE00	5S3E0S6C3FI	CP: 400V-3ph-50Hz Fan: 230V-1ph-50Hz	6,3	SE2017GS-O	303E01201AA	25	3803	4628	5612	6766	8097	9610	2581	2760	2959	3178		
						32	3483	4246	5148	6201	7412	8785	2878	3074	3291	3530		
						38	3192	3888	4706	5660	6758	8003	3181	3390	3621	3876		
						43	2950	3577	4316	5179	6174	7306	3488	3705	3947	4213		
UP-SE2020GS-EAE00	5S3FOS6C3FI	CP: 400V-3ph-50Hz Fan: 230V-1ph-50Hz	6,9	SE2020GS-O	303F01201AA	25	4403	5350	6473	7782	9282	10973	3012	3232	3477	3749		
						32	4023	4894	5917	7104	8458	9982	3364	3604	3871	4167		
						38	3681	4470	5393	6461	7680	9052	3729	3984	4268	4583		
						43	3399	4105	4933	5892	6989	8228	4102	4367	4663	4992		

GENERAL DATA & PERFORMANCE

		ECO DESIGN		DIMENSIONS (mm)			WEIGHT	ACOUSTICS dB (A)		CONDENSER/FAN						LIQUID RECEIVER	CONNECTION DIAMETERS			
-15°C	-10°C	Type	Cop/Seer	W (width)	D (depth)	H (height)	Net (kg)	Sound Press. @10m	Sound power level	Number of fan	Fan diameter (mm)	Airflow (m³/h)	Fan power (W)	Voltage supply (V)	Internal volume (dm³)	dm³	Suction (mm)	Liquid (mm)	Suction (")	Liquid (")
849	954	COP	0,98	982	484	600	69	29	60	1	350	1695	67	230/1/50	0,23	1,6	12	6	1/2	1/4
894	1001																			
921	1026																			
933	1033	COP	1	982	484	600	69	29	60	1	350	1695	67	230/1/50	0,23	1,6	12	8	1/2	3/8
913	1025																			
957	1079																			
992	1121	COP	1,09	982	484	600	69	29	60	1	350	1523	67	230/1/50	0,45	2,3	16	8	1/2	3/8
1016	1151																			
1135	1274																			
1193	1341	COP	1,09	1082	490	708	88	34	65	1	400	2673	120	230/1/50	0,71	3,9	16	8	1/2	3/8
1239	1391																			
1270	1425																			
1640	1840	COP	1,08	1082	490	708	92	33	64	1	400	2673	120	230/1/50	0,71	3,9	18	10	3/4	3/8
1722	1931																			
1791	2012																			
1847	2080	COP	1,09	1082	490	708	92	33	64	1	400	2673	120	230/1/50	0,71	3,9	18	10	3/4	3/8
1440	1539																			
1599	1706																			
1749	1865	COP	1,05	1082	490	708	92	33	64	1	400	2673	120	230/1/50	0,71	3,9	18	10	3/4	3/8
1893	2015																			
1428	1526																			
1585	1692	COP	1,08	1082	490	708	92	33	64	1	400	2673	120	230/1/50	0,71	3,9	18	10	3/4	3/8
1735	1849																			
1877	1998																			
1879	2020	COP	1,05	1082	490	708	92	33	64	1	400	2673	120	230/1/50	0,71	3,9	18	10	3/4	3/8
2087	2240																			
2289	2453																			
2484	2656	COP	1,08	1082	490	708	92	33	64	1	400	2673	120	230/1/50	0,71	3,9	18	10	3/4	3/8
1842	1980																			
2045	2195																			
2242	2403	COP	1,04	1082	490	708	92	33	64	1	400	2673	120	230/1/50	0,71	3,9	18	10	3/4	3/8
2433	2602																			
2234	2412																			
2482	2675	COP	1,06	1082	490	708	92	33	64	1	400	2673	120	230/1/50	0,71	3,9	18	10	3/4	3/8
2727	2933																			
2965	3182																			
2182	2356	COP	1,06	1082	490	708	92	33	64	1	400	2673	120	230/1/50	0,71	3,9	18	10	3/4	3/8
2424	2612																			
2662	2863																			
2894	3105	SEPR	1,77	1277	538	1005	107	36	67	1	500	5195	220	230/1/50	1,34	6	22	12	7/8	1/2
2721	2907																			
3020	3225																			
3306	3525	SEPR	1,91	1277	538	1005	107	36	67	1	500	5195	220	230/1/50	1,34	6	22	12	7/8	1/2
3577	3808																			
2931	3142																			
3251	3481	SEPR	1,95	1277	538	1005	107	36	67	1	500	5195	220	230/1/50	1,34	6	22	12	7/8	1/2
3559	3805																			
3853	4111																			
3418	3680	SEPR	1,93	1277	538	1005	107	36	67	1	500	5195	220	230/1/50	1,34	6	22	12	7/8	1/2
3791	4075																			
4154	4456																			
4504	4821	SEPR	1,93	1277	538	1005	107	36	67	1	500	5195	220	230/1/50	1,34	6	22	12	7/8	1/2
4049	4378																			
4492	4848																			
4929	5307	SEPR	1,93	1277	538	1005	107	36	67	1	500	5195	220	230/1/50	1,34	6	22	12	7/8	1/2
5353	5749																			

**Note:** Subject to modification without prior notification.

# R452A - LBP - SH10K

CONDENSING UNITS				COMPRESSORS		AMBIENT TEMP. (°C)	EN13125 - SUBCOOLING OK - MIDPOINT								POWER INPUT (W)			
CONDENSING UNITS MODELS	CONDENSING UNIT BOM	VOLTAGE SUPPLY (V)	I NOM (A)	COMPRESSOR MODELS	COMPRESSOR BOM		COOLING CAPACITY (W)											
							-35°C	-30°C	-25°C	-20°C	-15°C	-10°C	-35°C	-30°C	-25°C	-20°C		
UP-NT2180GK-EAE00	503HAS6C4FI	CP: 230V-1ph-50Hz Fan: 230V-1ph-50Hz	2,4	NT2180GK-A-CSR	923HA0404AF	25	571	732	932	1168	1435	1730	556	611	674	749		
						32	487	634	812	1019	1252	1507	552	623	700	785		
						38	412	546	705	887	1090	1313	557	638	722	811		
						43	-	474	616	777	956	1151	-	648	735	824		
UP-NT2192GK-EAE00	503EAS6C4FI	CP: 230V-1ph-50Hz Fan: 230V-1ph-50Hz	2,7	NT2192GK-A-CSR	923EA0404AF	25	615	787	992	1229	1499	1799	580	651	725	807		
						32	522	677	859	1070	1309	1574	584	664	748	839		
						38	441	580	743	931	1143	1379	586	674	765	864		
						43	-	503	649	816	1006	1217	-	679	776	881		
UP-NT2212GK-EAE00	505DAS6C4FI	CP: 230V-1ph-50Hz Fan: 230V-1ph-50Hz	3,7	NT2212GK-A-CSR	925DA0204AF	25	814	1038	1314	1643	2023	2451	708	793	889	998		
						32	693	899	1149	1445	1785	2165	711	811	921	1043		
						38	589	777	1003	1269	1572	1912	718	830	950	1079		
						43	-	677	882	1121	1394	1699	-	844	970	1105		
UP-NJX2219GS-EAE00	545ASS6C3FI	CP: 400V-3ph-50Hz Fan: 230V-1ph-50Hz	2,3	NJX2219GS-M	945AS2101AA	25	1118	1478	1922	2442	3030	3677	994	1128	1277	1441		
						32	1016	1338	1730	2189	2706	3274	1031	1175	1334	1508		
						38	896	1186	1537	1945	2405	2908	1052	1207	1377	1562		
						43	783	1047	1365	1733	2146	2597	1060	1227	1408	1604		
UP-SE2006GK-EAE00	5S3ACS6C4FI	CP: 230V-1ph-50Hz Fan: 230V-1ph-50Hz	5,6	SE2006GK-C	303AC1204AA	25	1316	1621	1991	2435	2959	3567	1115	1180	1253	1333		
						32	1178	1460	1801	2208	2688	3245	1219	1294	1377	1469		
						38	1054	1311	1621	1992	2430	2940	1341	1422	1512	1610		
						43	950	1181	1462	1799	2200	2667	1466	1549	1641	1744		
UP-SE2006GS-EAE00	5S3AOS6C3FI	CP: 400V-3ph-50Hz Fan: 230V-1ph-50Hz	2,4	SE2006GS-O	303A01201AA	25	1317	1621	1992	2436	2959	3568	1106	1171	1243	1322		
						32	1178	1460	1801	2209	2689	3247	1209	1284	1366	1457		
						38	1055	1312	1622	1993	2432	2942	1330	1410	1499	1597		
						43	950	1182	1463	1801	2201	2669	1453	1536	1628	1729		
UP-SE2008GK-EAE00	5S3BCS6C4FI	CP: 230V-1ph-50Hz Fan: 230V-1ph-50Hz	7,2	SE2008GK-C	303BC1204AA	25	1650	2030	2488	3033	3671	4407	1415	1505	1606	1719		
						32	1472	1821	2239	2735	3316	3984	1557	1660	1776	1904		
						38	1314	1628	2006	2455	2980	3586	1722	1832	1955	2092		
						43	1179	1461	1800	2205	2681	3233	1888	2001	2128	2268		
UP-SE2008GS-EAE00	5S3BOS6C3FI	CP: 400V-3ph-50Hz Fan: 230V-1ph-50Hz	2,7	SE2008GS-O	303B01201AA	25	1652	2031	2490	3036	3675	4411	1388	1476	1575	1686		
						32	1474	1822	2241	2738	3320	3989	1527	1628	1741	1866		
						38	1315	1630	2009	2458	2985	3592	1688	1796	1916	2050		
						43	1181	1463	1803	2209	2686	3240	1851	1961	2085	2222		
UP-SE2010GK-EAE00	5S3CCS6C4FI	CP: 230V-1ph-50Hz Fan: 230V-1ph-50Hz	8,4	SE2010GK-C	303CC1204AA	25	1911	2346	2871	3491	4212	5037	1650	1761	1886	2028		
						32	1700	2098	2574	3135	3786	4530	1825	1951	2093	2252		
						38	1513	1870	2297	2800	3386	4057	2024	2158	2309	2478		
						43	1355	1673	2053	2504	3031	3638	2224	2361	2516	2688		
UP-SE2010GS-EAE00	5S3COS6C3FI	CP: 400V-3ph-50Hz Fan: 230V-1ph-50Hz	4,3	SE2010GS-O	303C01201AA	25	1913	2349	2874	3495	4217	5044	1613	1722	1844	1982		
						32	1703	2101	2578	3140	3792	4538	1783	1906	2045	2200		
						38	1516	1874	2302	2806	3394	4067	1977	2108	2256	2420		
						43	1358	1677	2058	2511	3040	3650	2172	2305	2456	2624		
UP-SE2012GS-EAE00	5S3GOS6C3FI	CP: 400V-3ph-50Hz Fan: 230V-1ph-50Hz	5,4	SE2012GS-O	303G01201AA	25	2562	3155	3876	4739	5758	6942	2105	2229	2366	2518		
						32	2293	2842	3505	4298	5233	6318	2302	2444	2602	2775		
						38	2052	2553	3157	3880	4733	5726	2533	2686	2855	3042		
						43	1849	2301	2848	3505	4285	5197	2768	2925	3101	3295		
UP-SE2014GS-EAE00	5S3DOS6C3FI	CP: 400V-3ph-50Hz Fan: 230V-1ph-50Hz	5,2	SE2014GS-O	303D01201AA	25	2965	3649	4477	5466	6627	7971	2238	2375	2528	2697		
						32	2651	3282	4042	4947	6009	7237	2453	2610	2784	2977		
						38	2372	2945	3635	4457	5424	6544	2703	2871	3058	3264		
						43	2135	2651	3275	4021	4902	5927	2956	3128	3321	3535		
UP-SE2017GS-EAE00	5S3EOS6C3FI	CP: 400V-3ph-50Hz Fan: 230V-1ph-50Hz	6,3	SE2017GS-O	303E01201AA	25	3475	4270	5230	6371	7704	9235	2562	2727	2913	3121		
						32	3101	3832	4709	5748	6959	8350	2819	3007	3218	3453		
						38	2769	3430	4223	5161	6258	7521	3115	3316	3541	3791		
						43	2489	3081	3793	4640	5635	6786	3412	3618	3849	4106		
UP-SE2020GS-EAE00	5S3FOS6C3FI	CP: 400V-3ph-50Hz Fan: 230V-1ph-50Hz	6,9	SE2020GS-O	303FO1201AA	25	4012	4923	6018	7311	8811	10521	2977	3179	3409	3670		
						32	3573	4406	5399	6569	7923	9467	3290	3520	3779	4070		
						38	3183	3932	4824	5874	7094	8487	3645	3890	4165	4472		
						43	2854	3521	4318	5260	6359	7621	4000	4250	4531	4845		

GENERAL DATA & PERFORMANCE

		ECO DESIGN		DIMENSIONS (mm)			WEIGHT	ACOUSTICS dB (A)		CONDENSER/FAN						LIQUID RECEIVER	CONNECTION DIAMETERS				
-15°C	-10°C	Type	Cop/Seer	W (width)	D (depth)	H (height)	Net (kg)	Sound Press. @10m	Sound power level	Number of fan	Fan diameter (mm)	Airflow (m <sup>3</sup> /h)	Fan power (W)	Voltage supply (V)	Internal volume (dm <sup>3</sup> )	dm <sup>3</sup>	Suction (mm)	Liquid (mm)	Suction (")	Liquid (")	
837	942																				
880	987	-	-	982	484	600	69	29	60	1	350	1695	67	230/1/50	0,23	1,6	12	6	1/2	1/4	
907	1012																				
919	1019																				
900	1012																				
943	1063	-	-	982	484	600	69	29	60	1	350	1695	67	230/1/50	0,23	1,6	12	8	1/2	3/8	
975	1103																				
998	1132																				
1121	1260	-	-	982	484	600	69	29	60	1	350	1523	67	230/1/50	0,45	2,3	16	8	1/2	3/8	
1176	1323																				
1219	1370																				
1249	1403																				
1623	1821	-	-	1082	490	708	88	34	65	1	400	2673	120	230/1/50	0,71	3,9	16	8	1/2	3/8	
1699	1908																				
1764	1984																				
1817	2048																				
1421	1518	-	-	1082	490	708	92	33	64	1	400	2673	120	230/1/50	0,71	3,9	18	10	3/4	3/8	
1570	1679																				
1718	1836																				
1856	1977																				
1410	1505	-	-	1082	490	708	92	33	64	1	400	2673	120	230/1/50	0,71	3,9	18	10	3/4	3/8	
1557	1665																				
1704	1820																				
1840	1961																				
1845	1986																				
2045	2201	-	-	1082	490	708	92	33	64	1	400	2673	120	230/1/50	0,71	3,9	18	10	3/4	3/8	
2242	2407																				
2423	2592																				
1809	1946																				
2004	2157	-	-	1082	490	708	92	33	64	1	400	2673	120	230/1/50	0,71	3,9	18	10	3/4	3/8	
2197	2358																				
2374	2539																				
2188	2367																				
2429	2625	-	-	1082	490	708	92	33	64	1	400	2673	120	230/1/50	0,71	3,9	18	10	3/4	3/8	
2664	2869																				
2878	3087																				
2138	2312																				
2372	2563	-	-	1082	490	708	92	33	64	1	400	2673	120	230/1/50	0,71	3,9	18	10	3/4	3/8	
2602	2801																				
2810	3014																				
2685	2868																				
2966	3173	-	-	1277	538	1005	107	36	67	1	500	5195	220	230/1/50	1,34	6	22	12	7/8	1/2	
3247	3469																				
3507	3737																				
2885	3094																				
3190	3423	-	-	1277	538	1005	107	36	67	1	500	5195	220	230/1/50	1,34	6	22	12	7/8	1/2	
3492	3740																				
3769	4025																				
3354	3615																				
3714	4002	-	-	1277	538	1005	107	36	67	1	500	5195	220	230/1/50	1,34	6	22	12	7/8	1/2	
4067	4370																				
4390	4700																				
3963	4294																				
4394	4754	-	-	1277	538	1005	107	36	67	1	500	5195	220	230/1/50	1,34	6	22	12	7/8	1/2	
4813	5188																				
5193	5574																				

**Note:** Subject to modification without prior notification.

# R404A - LBP - RTG20

CONDENSING UNITS				COMPRESSORS		AMBIENT TEMP. (°C)	EN13125 - SUBCOOLING 0K - MIDPOINT						POWER INPUT (W)			
CONDENSING UNITS MODELS	CONDENSING UNIT BOM	VOLTAGE SUPPLY (V)	I NOM (A)	COMPRESSOR MODELS	COMPRESSOR BOM		COOLING CAPACITY (W)						-35°C	-30°C	-25°C	-20°C
UP-NT2180GK-EAE00	503HAS6C4FI	CP: 230V-1ph-50Hz Fan: 230V-1ph-50Hz	2,4	NT2180GK-A-CSR	923HA0404AF	25	632	803	1009	1245	1504	1780	567	622	683	753
						32	554	712	898	1107	1334	1572	569	638	711	791
						38	488	634	801	987	1185	1392	575	653	734	820
						43	-	568	720	885	1060	1240	-	666	752	842
UP-NT2192GK-EAE00	503EAS6C4FI	CP: 230V-1ph-50Hz Fan: 230V-1ph-50Hz	2,7	NT2192GK-A-CSR	923EA0404AF	25	681	866	1078	1315	1574	1851	590	663	736	813
						32	594	762	953	1165	1396	1643	600	679	760	846
						38	523	675	847	1038	1244	1462	605	691	780	875
						43	-	604	760	931	1116	1311	-	700	796	901
UP-NT2212GK-EAE00	505DAS6C4FI	CP: 230V-1ph-50Hz Fan: 230V-1ph-50Hz	3,7	NT2212GK-A-CSR	925DA0204AF	25	903	1140	1423	1750	2112	2504	719	805	899	1004
						32	786	1005	1265	1562	1889	2239	731	827	933	1048
						38	694	896	1133	1402	1696	2010	741	848	964	1089
						43	-	807	1025	1268	1534	1815	-	867	991	1124
UP-NJX2219GS-EAE00	545ASS6C3FI	CP: 400V-3ph-50Hz Fan: 230V-1ph-50Hz	2,3	NJX2219GS-M	945AS2101AA	25	1335	1714	2165	2681	3252	3870	1047	1180	1322	1477
						32	1213	1553	1957	2417	2925	3472	1083	1227	1382	1549
						38	1092	1401	1766	2179	2635	3123	1109	1264	1431	1612
						43	-	1266	1599	1976	2388	2829	-	1291	1469	1662
UP-SE2006GK-EAE00	5S3ACS6C4FI	CP: 230V-1ph-50Hz Fan: 230V-1ph-50Hz	5,6	SE2006GK-C	303AC1204AA	25	1440	1779	2178	2633	3145	3710	1113	1185	1265	1352
						32	1321	1631	1993	2406	2868	3376	1235	1313	1399	1491
						38	1209	1491	1819	2192	2609	3068	1358	1441	1532	1631
						43	1113	1370	1667	2005	2383	2799	1487	1575	1670	1773
UP-SE2006GS-EAE00	5S3AOS6C3FI	CP: 400V-3ph-50Hz Fan: 230V-1ph-50Hz	2,4	SE2006GS-O	303A01201AA	25	1440	1780	2178	2634	3146	3711	1104	1176	1255	1341
						32	1321	1632	1994	2407	2869	3378	1225	1303	1387	1479
						38	1209	1491	1820	2193	2610	3070	1347	1430	1520	1617
						43	1114	1370	1668	2006	2385	2801	1475	1561	1656	1758
UP-SE2008GK-EAE00	5S3BCS6C4FI	CP: 230V-1ph-50Hz Fan: 230V-1ph-50Hz	7,2	SE2008GK-C	303BC1204AA	25	1812	2233	2723	3280	3899	4575	1422	1521	1631	1751
						32	1656	2038	2481	2982	3536	4140	1581	1689	1807	1935
						38	1511	1857	2255	2705	3202	3742	1748	1862	1988	2125
						43	1389	1701	2060	2464	2911	3396	1925	2046	2179	2323
UP-SE2008GS-EAE00	5S3BOS6C3FI	CP: 400V-3ph-50Hz Fan: 230V-1ph-50Hz	2,7	SE2008GS-O	303B01201AA	25	1813	2234	2725	3283	3902	4579	1394	1492	1599	1717
						32	1657	2040	2484	2985	3540	4146	1551	1656	1771	1897
						38	1512	1859	2258	2708	3206	3748	1713	1825	1949	2083
						43	1390	1703	2063	2468	2916	3403	1886	2005	2134	2276
UP-SE2010GK-EAE00	5S3CCS6C4FI	CP: 230V-1ph-50Hz Fan: 230V-1ph-50Hz	8,4	SE2010GK-C	303CC1204AA	25	2103	2586	3145	3775	4470	5222	1665	1787	1922	2070
						32	1916	2353	2855	3418	4037	4705	1855	1987	2133	2292
						38	1744	2137	2587	3090	3641	4235	2058	2200	2356	2527
						43	1601	1954	2356	2806	3298	3827	2277	2427	2593	2774
UP-SE2010GS-EAE00	5S3COS6C3FI	CP: 400V-3ph-50Hz Fan: 230V-1ph-50Hz	4,3	SE2010GS-O	303C01201AA	25	2105	2588	3148	3779	4475	5229	1628	1747	1879	2023
						32	1918	2356	2859	3423	4044	4714	1813	1942	2084	2239
						38	1747	2141	2591	3096	3649	4245	2010	2149	2301	2467
						43	1604	1958	2362	2813	3307	3838	2223	2369	2531	2707
UP-SE2012GS-EAE00	5S3GOS6C3FI	CP: 400V-3ph-50Hz Fan: 230V-1ph-50Hz	5,4	SE2012GS-O	303G01201AA	25	2802	3462	4238	5125	6121	7221	2101	2238	2389	2553
						32	2571	3175	3880	4684	5583	6574	2332	2480	2642	2817
						38	2353	2902	3542	4269	5081	5975	2564	2723	2895	3081
						43	2167	2667	3247	3906	4642	5452	2808	2974	3154	3350
UP-SE2014GS-EAE00	5S3DOS6C3FI	CP: 400V-3ph-50Hz Fan: 230V-1ph-50Hz	5,2	SE2014GS-O	303D01201AA	25	3248	4008	4897	5910	7041	8283	2241	2393	2559	2741
						32	2977	3670	4476	5390	6409	7524	2488	2651	2830	3024
						38	2721	3351	4080	4906	5823	6827	2740	2914	3104	3311
						43	2506	3077	3737	4484	5314	6221	3005	3188	3388	3605
UP-SE2017GS-EAE00	5S3EOS6C3FI	CP: 400V-3ph-50Hz Fan: 230V-1ph-50Hz	6,3	SE2017GS-O	303E01201AA	25	3815	4698	5725	6888	8178	9583	2576	2759	2960	3181
						32	3488	4290	5217	6263	7419	8675	2864	3060	3276	3512
						38	3184	3910	4745	5685	6722	7846	3162	3372	3603	3854
						43	2928	3585	4338	5184	6117	7129	3480	3702	3945	4210
UP-SE2020GS-EAE00	5S3FOS6C3FI	CP: 400V-3ph-50Hz Fan: 230V-1ph-50Hz	6,9	SE2020GS-O	303F01201AA	25	4416	5425	6591	7903	9346	10904	3006	3229	3476	3748
						32	4025	4938	5987	7160	8446	9830	3347	3587	3853	4145
						38	3667	4490	5430	6478	7625	8857	3709	3967	4252	4564
						43	3370	4109	4952	5891	6916	8016	4098	4372	4674	5004



GENERAL DATA & PERFORMANCE

		ECO DESIGN		DIMENSIONS (mm)			WEIGHT	ACOUSTICS dB (A)		CONDENSER/FAN						LIQUID RECEIVER	CONNECTION DIAMETERS			
-15°C	-10°C	Type	Cop/Seer	W (width)	D (depth)	H (height)	Net (kg)	Sound Press. @10m	Sound power level	Number of fan	Fan diameter (mm)	Airflow (m³/h)	Fan power (W)	Voltage supply (V)	Internal volume (dm³)	dm³	Suction (mm)	Liquid (mm)	Suction (")	Liquid (")
835	930	COP	0,97	982	484	600	69	29	60	1	350	1695	67	230/1/50	0,23	1,6	12	6	1/2	1/4
881	980																			
914	1015																			
937	1039																			
899	999	COP	0,99	982	484	600	69	29	60	1	350	1695	67	230/1/50	0,23	1,6	12	8	1/2	3/8
942	1054																			
982	1106																			
1018	1152																			
1119	1245	COP	1,08	982	484	600	69	29	60	1	350	1523	67	230/1/50	0,45	2,3	16	8	1/2	3/8
1174	1310																			
1224	1369																			
1267	1420																			
1644	1825	COP	1,12	1082	490	708	88	34	65	1	400	2673	120	230/1/50	0,71	3,9	16	8	1/2	3/8
1731	1928																			
1807	2019																			
1870	2095																			
1445	1546	COP	1,07	1082	490	708	92	33	64	1	400	2673	120	230/1/50	0,71	3,9	18	10	3/4	3/8
1591	1698																			
1736	1850																			
1884	2003																			
1434	1533	COP	1,08	1082	490	708	92	33	64	1	400	2673	120	230/1/50	0,71	3,9	18	10	3/4	3/8
1578	1684																			
1722	1834																			
1868	1986																			
1881	2022	COP	1,05	1082	490	708	92	33	64	1	400	2673	120	230/1/50	0,71	3,9	18	10	3/4	3/8
2074	2225																			
2274	2434																			
2480	2649																			
1844	1982	COP	1,07	1082	490	708	92	33	64	1	400	2673	120	230/1/50	0,71	3,9	18	10	3/4	3/8
2033	2180																			
2228	2384																			
2429	2594																			
2232	2408	COP	1,03	1082	490	708	92	33	64	1	400	2673	120	230/1/50	0,71	3,9	18	10	3/4	3/8
2466	2654																			
2713	2914																			
2971	3184																			
2181	2353	COP	1,06	1082	490	708	92	33	64	1	400	2673	120	230/1/50	0,71	3,9	18	10	3/4	3/8
2408	2592																			
2648	2844																			
2898	3106																			
2731	2921	SEPR	1,8	1277	538	1005	107	36	67	1	500	5195	220	230/1/50	1,34	6	22	12	7/8	1/2
3006	3209																			
3281	3496																			
3560	3784																			
2939	3152	SEPR	1,95	1277	538	1005	107	36	67	1	500	5195	220	230/1/50	1,34	6	22	12	7/8	1/2
3234	3461																			
3534	3773																			
3839	4091																			
3421	3682	SEPR	1,98	1277	538	1005	107	36	67	1	500	5195	220	230/1/50	1,34	6	22	12	7/8	1/2
3768	4045																			
4127	4422																			
4497	4807																			
4045	4369	SEPR	1,95	1277	538	1005	107	36	67	1	500	5195	220	230/1/50	1,34	6	22	12	7/8	1/2
4463	4809																			
4904	5274																			
5364	5754																			

**Note:** Subject to modification without prior notification.

# R404A - LBP - SH10K

CONDENSING UNITS				COMPRESSORS		AMBIENT TEMP.	EN13125 - SUBCOOLING OK - MIDPOINT						POWER INPUT (W)			
CONDENSING UNITS MODELS	CONDENSING UNIT BOM	VOLTAGE SUPPLY (V)	I NOM (A)	COMPRESSOR MODELS	COMPRESSOR BOM		COOLING CAPACITY (W)						-35°C	-30°C	-25°C	-20°C
						(°C)	-35°C	-30°C	-25°C	-20°C	-15°C	-10°C	-35°C	-30°C	-25°C	-20°C
UP-NT2180GK-EAE00	503HAS6C4FI	CP: 230V-1ph-50Hz Fan: 230V-1ph-50Hz	2,4	NT2180GK-A-CSR	923HA0404AF	25	562	729	931	1165	1425	1705	569	619	676	742
						32	492	640	818	1021	1246	1487	562	627	698	777
						38	421	555	712	891	1087	1298	566	642	721	806
						43	-	482	623	782	957	1143	-	655	739	826
UP-NT2192GK-EAE00	503EAS6C4FI	CP: 230V-1ph-50Hz Fan: 230V-1ph-50Hz	2,7	NT2192GK-A-CSR	923EA0404AF	25	607	787	995	1230	1490	1771	585	655	726	801
						32	527	684	867	1073	1302	1550	592	669	747	831
						38	451	590	752	935	1139	1360	597	680	766	859
						43	-	512	657	822	1005	1205	-	688	781	882
UP-NT2212GK-EAE00	505DAS6C4FI	CP: 230V-1ph-50Hz Fan: 230V-1ph-50Hz	3,7	NT2212GK-A-CSR	925DA0204AF	25	801	1032	1312	1637	2002	2402	715	797	889	990
						32	699	906	1155	1444	1767	2123	722	815	918	1031
						38	601	787	1010	1269	1559	1876	730	834	947	1069
						43	-	688	890	1123	1385	1672	-	851	972	1102
UP-NJX2219GS-EAE00	545ASS6C3FI	CP: 400V-3ph-50Hz Fan: 230V-1ph-50Hz	2,3	NJX2219GS-M	945AS2101AA	25	1214	1575	2010	2516	3086	3714	1036	1166	1306	1457
						32	1074	1395	1782	2231	2737	3294	1070	1210	1361	1525
						38	942	1229	1575	1976	2428	2926	1093	1244	1407	1583
						43	825	1084	1397	1759	2167	2615	1107	1268	1442	1630
UP-SE2006GK-EAE00	5S3ACS6C4FI	CP: 230V-1ph-50Hz Fan: 230V-1ph-50Hz	5,6	SE2006GK-C	303AC1204AA	25	1300	1627	2017	2469	2984	3561	1123	1188	1260	1340
						32	1169	1464	1815	2221	2684	3203	1212	1287	1369	1459
						38	1040	1305	1620	1986	2403	2872	1328	1409	1497	1594
						43	928	1166	1450	1781	2159	2585	1455	1538	1630	1731
UP-SE2006GS-EAE00	5S3AOS6C3FI	CP: 400V-3ph-50Hz Fan: 230V-1ph-50Hz	2,4	SE2006GS-O	303AO1201AA	25	1300	1628	2017	2470	2985	3562	1114	1179	1250	1329
						32	1169	1465	1815	2222	2685	3204	1203	1276	1358	1447
						38	1040	1306	1621	1987	2404	2873	1318	1397	1485	1581
						43	928	1167	1451	1782	2160	2586	1443	1525	1617	1717
UP-SE2008GK-EAE00	5S3BCS6C4FI	CP: 230V-1ph-50Hz Fan: 230V-1ph-50Hz	7,2	SE2008GK-C	303BC1204AA	25	1633	2038	2516	3067	3689	4379	1422	1511	1611	1722
						32	1460	1823	2250	2742	3297	3914	1547	1649	1762	1888
						38	1293	1617	1999	2439	2936	3489	1706	1816	1938	2072
						43	1149	1439	1781	2176	2624	3124	1877	1991	2118	2258
UP-SE2008GS-EAE00	5S3BOS6C3FI	CP: 400V-3ph-50Hz Fan: 230V-1ph-50Hz	2,7	SE2008GS-O	303BO1201AA	25	1634	2040	2518	3070	3693	4384	1395	1482	1580	1689
						32	1462	1825	2253	2746	3302	3919	1517	1617	1728	1851
						38	1295	1620	2002	2443	2941	3495	1672	1780	1899	2031
						43	1151	1442	1785	2181	2630	3131	1839	1951	2075	2212
UP-SE2010GK-EAE00	5S3CCS6C4FI	CP: 230V-1ph-50Hz Fan: 230V-1ph-50Hz	8,4	SE2010GK-C	303CC1204AA	25	1892	2356	2900	3523	4220	4987	1655	1764	1888	2027
						32	1685	2098	2582	3134	3754	4436	1811	1936	2076	2232
						38	1486	1854	2284	2776	3328	3936	2005	2140	2290	2457
						43	1318	1645	2028	2468	2962	3510	2214	2354	2510	2683
UP-SE2010GS-EAE00	5S3COS6C3FI	CP: 400V-3ph-50Hz Fan: 230V-1ph-50Hz	4,3	SE2010GS-O	303CO1201AA	25	1894	2358	2903	3527	4226	4995	1618	1725	1846	1981
						32	1687	2101	2586	3140	3761	4444	1770	1892	2028	2180
						38	1489	1858	2289	2782	3336	3947	1959	2090	2237	2399
						43	1321	1649	2034	2475	2971	3521	2162	2298	2451	2619
UP-SE2012GS-EAE00	5S3GOS6C3FI	CP: 400V-3ph-50Hz Fan: 230V-1ph-50Hz	5,4	SE2012GS-O	303GO1201AA	25	2529	3167	3925	4805	5808	6931	2120	2244	2380	2532
						32	2276	2851	3533	4324	5225	6236	2289	2430	2586	2757
						38	2025	2542	3155	3867	4680	5593	2509	2660	2828	3012
						43	1807	2272	2825	3469	4206	5036	2747	2905	3080	3271
UP-SE2014GS-EAE00	5S3DOS6C3FI	CP: 400V-3ph-50Hz Fan: 230V-1ph-50Hz	5,2	SE2014GS-O	303DO1201AA	25	2931	3663	4532	5535	6673	7941	2252	2388	2539	2707
						32	2631	3290	4069	4969	5989	7127	2439	2593	2765	2955
						38	2338	2930	3629	4437	5355	6381	2677	2844	3029	3232
						43	2085	2616	3246	3975	4806	5737	2935	3109	3301	3513
UP-SE2017GS-EAE00	5S3EOS6C3FI	CP: 400V-3ph-50Hz Fan: 230V-1ph-50Hz	6,3	SE2017GS-O	303EO1201AA	25	3438	4288	5290	6441	7737	9170	2574	2737	2920	3125
						32	3076	3837	4732	5760	6917	8198	2800	2986	3194	3425
						38	2726	3407	4207	5127	6164	7315	3085	3286	3509	3756
						43	2426	3036	3753	4581	5516	6557	3391	3600	3832	4088
UP-SE2020GS-EAE00	5S3FOS6C3FI	CP: 400V-3ph-50Hz Fan: 230V-1ph-50Hz	6,9	SE2020GS-O	303FO1201AA	25	3973	4943	6079	7375	8822	10410	2985	3185	3411	3666
						32	3540	4405	5414	6566	7852	9265	3265	3492	3748	4033
						38	3128	3897	4796	5822	6970	8234	3611	3856	4131	4435
						43	2777	3463	4266	5184	6216	7354	3981	4237	4521	4836

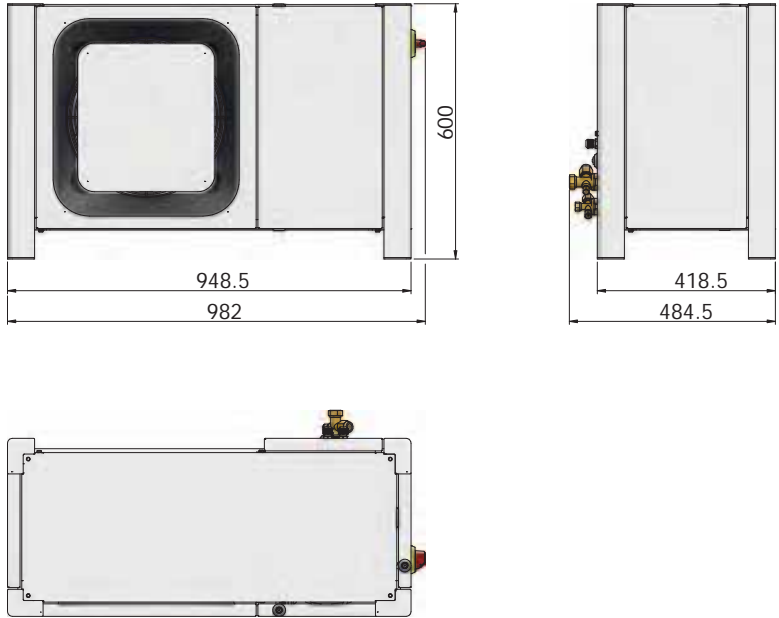
GENERAL DATA & PERFORMANCE

		ECO DESIGN		DIMENSIONS (mm)			WEIGHT	ACOUSTICS dB (A)		CONDENSER/FAN						LIQUID RECEIVER	CONNECTION DIAMETERS			
-15°C	-10°C	Type	Cop/Seer	W (width)	D (depth)	H (height)	Net (kg)	Sound Press. @10m	Sound power level	Number of fan	Fan diameter (mm)	Airflow (m³/h)	Fan power (W)	Voltage supply (V)	Internal volume (dm³)	dm³	Suction (mm)	Liquid (mm)	Suction (")	Liquid (")
821	915	-	-	982	484	600	69	29	60	1	350	1695	67	230/1/50	0,23	1,6	12	6	1/2	1/4
865	965																			
898	1000																			
920	1021																			
886	984	-	-	982	484	600	69	29	60	1	350	1695	67	230/1/50	0,23	1,6	12	8	1/2	3/8
926	1036																			
963	1084																			
995	1127																			
1104	1229	-	-	982	484	600	69	29	60	1	350	1523	67	230/1/50	0,45	2,3	16	8	1/2	3/8
1155	1290																			
1202	1346																			
1242	1393																			
1623	1803	-	-	1082	490	708	88	34	65	1	400	2673	120	230/1/50	0,71	3,9	16	8	1/2	3/8
1704	1900																			
1776	1985																			
1834	2057																			
1429	1526	-	-	1082	490	708	92	33	64	1	400	2673	120	230/1/50	0,71	3,9	18	10	3/4	3/8
1558	1667																			
1700	1816																			
1842	1961																			
1417	1514	-	-	1082	490	708	92	33	64	1	400	2673	120	230/1/50	0,71	3,9	18	10	3/4	3/8
1546	1653																			
1686	1800																			
1826	1945																			
1847	1986	-	-	1082	490	708	92	33	64	1	400	2673	120	230/1/50	0,71	3,9	18	10	3/4	3/8
2027	2179																			
2220	2382																			
2411	2578																			
1811	1947	-	-	1082	490	708	92	33	64	1	400	2673	120	230/1/50	0,71	3,9	18	10	3/4	3/8
1986	2136																			
2175	2334																			
2362	2525																			
2183	2358	-	-	1082	490	708	92	33	64	1	400	2673	120	230/1/50	0,71	3,9	18	10	3/4	3/8
2405	2596																			
2641	2842																			
2873	3080																			
2134	2304	-	-	1082	490	708	92	33	64	1	400	2673	120	230/1/50	0,71	3,9	18	10	3/4	3/8
2349	2535																			
2578	2775																			
2804	3006																			
2699	2884	-	-	1277	538	1005	107	36	67	1	500	5195	220	230/1/50	1,34	6	22	12	7/8	1/2
2944	3150																			
3213	3431																			
3479	3706																			
2894	3102	-	-	1277	538	1005	107	36	67	1	500	5195	220	230/1/50	1,34	6	22	12	7/8	1/2
3164	3393																			
3455	3699																			
3744	3996																			
3355	3612	-	-	1277	538	1005	107	36	67	1	500	5195	220	230/1/50	1,34	6	22	12	7/8	1/2
3680	3961																			
4027	4325																			
4369	4676																			
3953	4275	-	-	1277	538	1005	107	36	67	1	500	5195	220	230/1/50	1,34	6	22	12	7/8	1/2
4350	4701																			
4771	5140																			
5183	5562																			

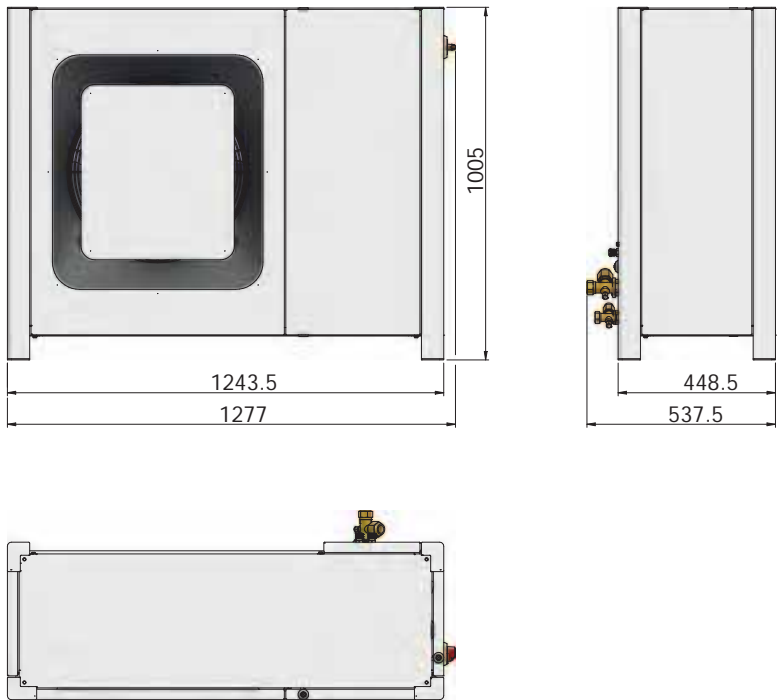
**Note:** Subject to modification without prior notification.

## EXTERNAL VIEWS

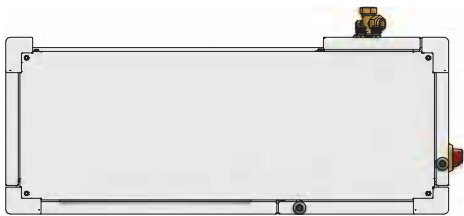
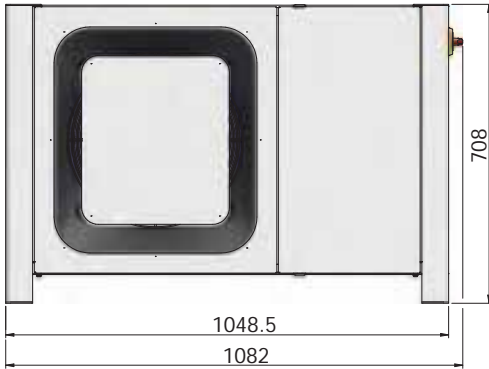
### MODEL HOUSING 1



### MODEL HOUSING 3



**MODEL HOUSING 2**

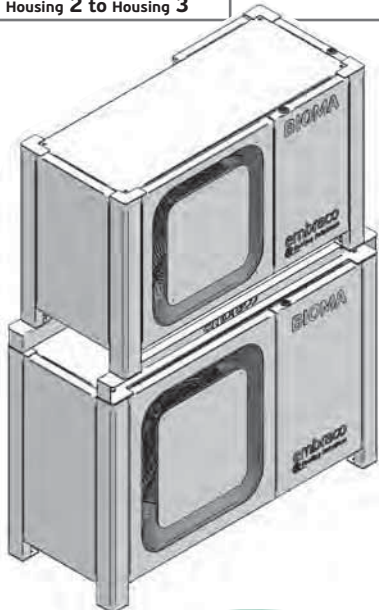


**STACKABILITY OPTIONS**

**DIFFERENT HOUSING SIZES**

Different housing sizes with complementary bracket

CONFIGURATIONS	ACCESSORY CODE
Housing 1 to Housing 2	<b>1996761</b>
Housing 1 to Housing 3	<b>1996762</b>
Housing 2 to Housing 3	



**SAME HOUSING SIZES**

