


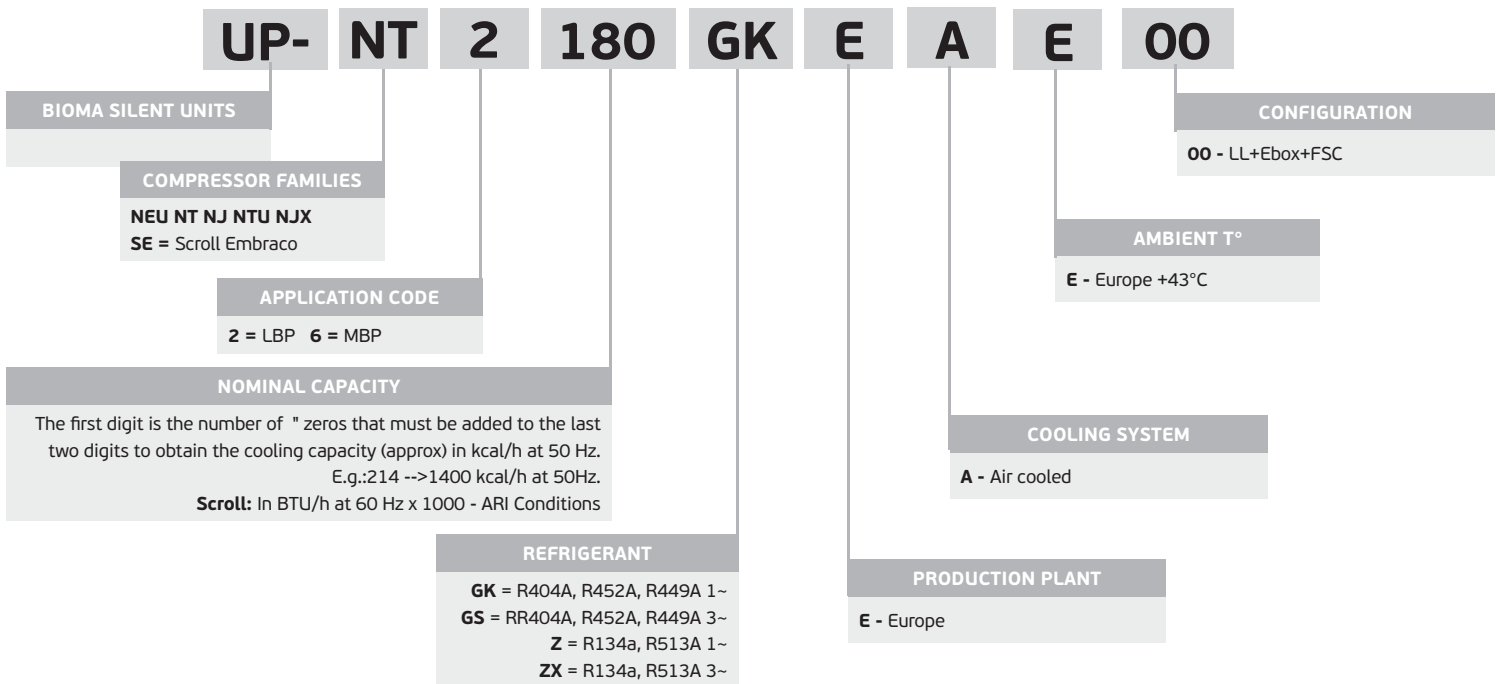


THREE SIZES: A COMPLETE RANGE

HOUSING	DIMENSIONS (mm)	
1	982 x 484 x 600	
2	1082 x 490 x 708	
3	1277 x 538 x 1005	

NOMENCLATURE

MODEL DESCRIPTION



REFRIGERANTS MAP AND EQUIPMENT LEVEL

APPLICATION	SUPPLY	HOUSING	MODEL	R404A	R452A	R449A	R134A	R513A	E00						
									Low noise fan	Fan speed control	Liquid line	Fully equipped electr. box	Acoustic foam in compressor compart.	Acoustic jacket	
MBP	1~	1	UP-NEU6212GK	●	●	●			✓	✓	✓	✓	✓		
			UP-NEU6215GK	●	●	●			✓	✓	✓	✓	✓		
			UP-NEU6220GK	●	●	●			✓	✓	✓	✓	✓		
			UP-NT6224GK	●	●	●			✓	✓	✓	✓	✓		
			UP-NT6226GK	●	●	●			✓	✓	✓	✓	✓		
			UP-NJ9232GK	●	●	●			✓	✓	✓	✓	✓		
				UP-NTU6238GKV	●	●	●			✓	✓	✓	✓		
		2		UP-SE6015GK	●	●	●	●	●	✓	✓	✓	✓	✓	✓
				UP-SE6018GK	●	●	●	●	●	✓	✓	✓	✓	✓	✓
				UP-SE6021GK	●	●	●	●	●	✓	✓	✓	✓	✓	✓
		3~	1	UP-NJ9232GS	●	●	●			✓	✓	✓	✓	✓	
				UP-NJ9238GS	●	●	●			✓	✓	✓	✓	✓	
			2	UP-NJX6250GS	●	●	●			✓	✓	✓	✓	✓	
				UP-SE6015GS	●	●	●	●	●	✓	✓	✓	✓	✓	✓
				UP-SE6018GS	●	●	●	●	●	✓	✓	✓	✓	✓	✓
				UP-SE6021GS	●	●	●	●	●	✓	✓	✓	✓	✓	✓
			3	UP-SE6026GS	●	●	●	●	●	✓	✓	✓	✓	✓	✓
				UP-SE6030GS	●	●	●	●	●	✓	✓	✓	✓	✓	✓
				UP-SE6036GS	●	●	●	●	●	✓	✓	✓	✓	✓	✓
			UP-SE6043GS	●	●	●	●	●	✓	✓	✓	✓	✓	✓	
		1~	1	UP-NEU6214Z				●	●	✓	✓	✓	✓	✓	
				UP-NJ6220Z				●	●	✓	✓	✓	✓	✓	
		UP-NJ6226Z					●	●	✓	✓	✓	✓	✓		
		3~		UP-NJ6226ZX				●	●	✓	✓	✓	✓	✓	
LBP	1~	1	UP-NT2180GK	●	●				✓	✓	✓	✓	✓		
			UP-NT2192GK	●	●				✓	✓	✓	✓	✓		
			UP-NT2212GK	●	●				✓	✓	✓	✓	✓		
		2	UP-SE2006GK	●	●	●			✓	✓	✓	✓	✓	✓	
			UP-SE2008GK	●	●	●			✓	✓	✓	✓	✓	✓	
		UP-SE2010GK	●	●	●			✓	✓	✓	✓	✓	✓		
	3~	2	UP-NJX2219GS	●	●	●			✓	✓	✓	✓	✓		
			UP-SE2006GS	●	●	●			✓	✓	✓	✓	✓	✓	
			UP-SE2008GS	●	●	●			✓	✓	✓	✓	✓	✓	
			UP-SE2010GS	●	●	●			✓	✓	✓	✓	✓	✓	
		3	UP-SE2012GS-0	●	●	●			✓	✓	✓	✓	✓	✓	
			UP-SE2014GS-0	●	●	●			✓	✓	✓	✓	✓	✓	
UP-SE2017GS-0			●	●	●			✓	✓	✓	✓	✓	✓		
UP-SE2020GS-0	●		●	●			✓	✓	✓	✓	✓	✓			

R452A - MBP - RTG20

CONDENSING UNITS				COMPRESSORS		AMBIENT TEMP. (°C)	EN13125 - SUBCOOLING OK - MIDPOINT										POWER		
CONDENSING UNITS MODELS	CONDENSING UNIT BOM	VOLTAGE SUPPLY (V)	I NOM (A)	COMPRESSOR MODELS	COMPRESSOR BOM		COOLING CAPACITY (W)										-25°C	-20°C	-15°C
							-25°C	-20°C	-15°C	-10°C	-5°C	0°C	+5°C	+10°C					
UP-NEU6212GK-EAE00	667HAS6C2FI	CP: 230V-1ph-50Hz Fan: 230V-1ph-50Hz	3,1	NEU6212GK-A-CSIR	958HA51M1AJ	25	-	660	807	979	1174	1388	1619	1863	-	417	452	-	
						32	-	577	713	869	1045	1237	1442	1657	-	427	466	-	
						38	-	506	631	774	933	1105	1288	1477	-	437	480	-	
						43	-	-	564	696	841	996	1159	1327	-	-	493	-	
UP-NEU6215GK-EAE00	669NAS6C4FI	CP: 230V-1ph-50Hz Fan: 230V-1ph-50Hz	2,8	NEU6215GK-A-CSR	959NA5190AF	25	-	887	1078	1296	1536	1794	2068	2352	-	504	559	-	
						32	-	783	956	1152	1369	1602	1847	2101	-	522	578	-	
						38	-	692	850	1029	1226	1437	1659	1887	-	535	595	-	
						43	-	-	763	928	1109	1302	1504	1712	-	-	609	-	
UP-NT6222GK-EAE00	602CAS6C4FI	CP: 230V-1ph-50Hz Fan: 230V-1ph-50Hz	4,3	NT6222GK-A-CSR	922CA0404AF	25	-	1056	1301	1573	1868	2184	2518	2865	-	742	787	-	
						32	-	922	1139	1378	1637	1915	2208	2516	-	756	811	-	
						38	-	-	1000	1211	1440	1685	1945	2218	-	-	836	-	
						43	-	-	-	1076	1279	1497	1729	1974	-	-	-	-	
UP-NT6224GK-EAE00	622RAS6C4FI	CP: 230V-1ph-50Hz Fan: 230V-1ph-50Hz	4,5	NT6224GK-A-CSR	922RA0404AF	25	-	1278	1609	1976	2375	2799	3245	3707	-	801	868	-	
						32	-	1136	1420	1740	2090	2468	2867	3285	-	821	896	-	
						38	-	1005	1254	1538	1853	2195	2560	2943	-	843	923	-	
						43	-	-	1120	1378	1667	1982	2320	2677	-	-	948	-	
UP-NT6226GK-EAE00	603BAS6C4FI	CP: 230V-1ph-50Hz Fan: 230V-1ph-50Hz	4,8	NT6226GK-A-CSR	923BA0204AF	25	-	1420	1761	2146	2569	3024	3503	4000	-	823	901	-	
						32	-	1243	1545	1889	2267	2674	3103	3548	-	854	939	-	
						38	-	1097	1367	1676	2016	2383	2771	3173	-	882	973	-	
						43	-	-	1232	1512	1821	2155	2508	2874	-	-	1000	-	
UP-NJ9232GK-EAE00	643NAS6C4FI	CP: 230V-1ph-50Hz Fan: 230V-1ph-50Hz	5,7	NJ9232GK-A-CSR	943NA1104AF	25	-	1476	1889	2342	2828	3339	3867	4407	-	1015	1113	-	
						32	-	1245	1614	2021	2459	2920	3399	3888	-	1007	1115	-	
						38	-	1052	1380	1745	2141	2560	2995	3439	-	1002	1117	-	
						43	-	-	-	1521	1880	2262	2659	3066	-	-	-	-	
UP-NJ9232GS-EAE00	647NMS6C3FI	CP: 400V-3ph-50Hz Fan: 230V-1ph-50Hz	2,1	NJ9232GS-M	947NM1101AA	25	-	1553	1956	2426	2951	3517	4112	4721	-	920	1025	-	
						32	-	1352	1715	2137	2606	3111	3639	4178	-	914	1031	-	
						38	-	1180	1507	1888	2310	2763	3234	3713	-	914	1040	-	
						43	-	-	-	1685	2067	2476	2901	3330	-	-	-	-	
UP-NTU6238GKV-EAE00	605EAS6C4FI	CP: 230V-1ph-50Hz Fan: 230V-1ph-50Hz	5,6	NTU6238GKV-A-CSR	925EA6004AF	25	-	1819	2198	2656	3168	3708	4255	4788	-	961	1042	-	
						32	-	1612	1946	2349	2799	3272	3746	4203	-	1008	1099	-	
						38	-	-	1729	2085	2482	2897	3310	3703	-	-	1144	-	
						43	-	-	-	1871	2223	2590	2951	3290	-	-	-	-	
UP-NJ9238GS-EAE00	647RMS6C3FI	CP: 400V-3ph-50Hz Fan: 230V-1ph-50Hz	2,9	NJ9238GS-M	947RM1101AA	25	-	1946	2429	2949	3499	4074	4668	5274	-	1108	1230	-	
						32	-	1687	2112	2574	3068	3586	4124	4674	-	1102	1238	-	
						38	-	-	1844	2256	2700	3170	3660	4163	-	-	1248	-	
						43	-	-	-	1998	2401	2831	3281	-	-	-	-	-	
UP-NJX6250GS-EAE00	645BS56C3FI	CP: 400V-3ph-50Hz Fan: 230V-1ph-50Hz	3,4	NJX6250GS-M	945BS2101AA	25	-	2621	3178	3821	4533	5299	6103	6930	-	1413	1564	-	
						32	-	2336	2833	3404	4035	4712	5420	6146	-	1483	1646	-	
						38	-	2080	2530	3043	3608	4211	4839	5480	-	1525	1705	-	
						43	-	-	-	2744	3255	3798	4360	4931	-	-	-	-	
UP-SE6015GK-EAE00	6S1AC56C4FI	CP: 230V-1ph-50Hz Fan: 230V-1ph-50Hz	8,5	SE6015GK-C	301AC1104AA	25	2330	2848	3445	4125	4887	5730	6649	7642	1469	1580	1702	-	
						32	2095	2578	3128	3746	4436	5195	6023	6917	1620	1742	1876	-	
						38	1874	2329	2838	3406	4034	4723	5473	6283	1768	1899	2043	-	
						43	-	-	2581	3107	3685	4317	5003	5743	-	-	2198	-	
UP-SE6015GS-EAE00	6S1A0S6C3FI	CP: 400V-3ph-50Hz Fan: 230V-1ph-50Hz	3,2	SE6015GS-O	301A01101AA	25	2331	2849	3448	4128	4891	5735	6656	7649	1445	1554	1673	-	
						32	2097	2580	3130	3750	4440	5201	6030	6925	1593	1713	1845	-	
						38	1876	2332	2842	3410	4039	4729	5481	6293	1738	1867	2008	-	
						43	-	-	2585	3112	3691	4324	5012	5754	-	-	2160	-	
UP-SE6018GK-EAE00	6S1BC56C4FI	CP: 230V-1ph-50Hz Fan: 230V-1ph-50Hz	10,2	SE6018GK-C	301BC1104AA	25	2779	3396	4108	4918	5824	6826	7919	9096	1695	1825	1968	-	
						32	2499	3075	3729	4466	5286	6189	7173	8234	1871	2015	2172	-	
						38	2235	2778	3385	4060	4807	5627	6518	7479	2044	2198	2366	-	
						43	-	-	3078	3704	4392	5143	5958	6837	-	-	2546	-	
UP-SE6018GS-EAE00	6S1B0S6C3FI	CP: 400V-3ph-50Hz Fan: 230V-1ph-50Hz	4,7	SE6018GS-O	301B01101AA	25	2784	3402	4116	4928	5837	6843	7940	9122	1616	1739	1874	-	
						32	2505	3082	3739	4478	5301	6208	7197	8263	1782	1918	2067	-	
						38	2242	2786	3395	4073	4824	5648	6545	7512	1945	2091	2251	-	
						43	-	-	3090	3719	4411	5166	5987	6873	-	-	2421	-	
UP-SE6021GS-EAE00	6S1C0S6C3FI	CP: 400V-3ph-50Hz Fan: 230V-1ph-50Hz	4,9	SE6021GS-O	301C01101AA	25	3132	3821	4613	5508	6504	7597	8780	10046	1801	1943	2101	-	
						32	2811	3455	4182	4996	5896	6879	7943	9081	1988	2145	2317	-	
						38	-	3116	3789	4535	5353	6245	7207	8237	-	2339	2524	-	
						43	-	-	3440	4130	4882	5698	6577	7518	-	-	2716	-	
UP-SE6026GS-EAE00	6S1G0S6C3FI	CP: 400V-3ph-50Hz Fan: 230V-1ph-50Hz	6,2	SE6026GS-O	301G01101AA	25	4049	4955	6007	7212	8571	10084	11747	13554	2286	2451	2631	-	
						32	3652	4499	5468	6567	7800	9169	10672	12306	2516	2698	2897	-	
						38	3280	4079	4980	5990	7117	8364	9732	11218	2741	2937	3150	-	
						43	-	3702	4547	5486	6526	7673	8929	10294	-	-	3384	-	
UP-SE6030GS-EAE00	6S1D0S6C3FI	CP: 400V-3ph-50Hz Fan: 230V-1ph-50Hz	6,6	SE6030GS-O	301D01101AA	25	4548	5559	6728	8058	9551	11204	13008	14957	2510	2697	2903	-	
						32	4096	5040	6116	7329	8681	10174	11802	13561	2765	2971	3197	-	
						38	3671	4561	5560	6674	7909	9266	10745	12342	3013	3235	3478	-	
						43	-	-	5067	6101	7239	8485	9841	11305	-	-	3737	-	
UP-SE6036GS-EAE00	6S1E0S6C3FI	CP: 400V-3ph-50Hz Fan: 230V-1ph-50Hz	7,6	SE6036GS-O	301E01101AA	25	5636	6895	8357	10028	11911	14006	16305	18801	2950	3169	3408	-	
						32	5083	6261	7608	9133	10842	12737	14816	17072	3254	3495	3759	-	
						38	4566	5677	6928	8331	9894	11620	13512	15566	3550	3809	4093	-	
						43	-	5152	6327	7630	9073	10662	12399	14286	-	-	4102	4401	-
UP-SE6043GS-EAE00	6S1F0S6C3FI	CP: 400V-3ph-50Hz Fan: 230V-1ph-50Hz	8,6	SE6043GS-O	301F01101AA	25	6593	8052	9733	11641	13772	16122	18677	21424	3520	3795	4098	-	
						32	5931	7293	8839	10576	12506	14626	16929	19405	3887	4189	4521	-	
						38	5308	6592	8026	9620	11380	13306	15395	17641	4245	4570	4926	-	
						43	-	-	7305	8783	10403	12170	14083	16139	-	-	5300	-	

GENERAL DATA & PERFORMANCE

INPUT (W)					ECO DESIGN		DIMENSIONS (mm)			WEIGHT	ACOUSTICS dB (A)		CONDENSER/FAN					LIQUID RECEIVER		CONNECTION DIAMETERS			
-10°C	-5°C	0°C	+5°C	+10°C	Type	Cop/Seer	W (width)	D (depth)	H (height)	Net (kg)	Sound Press. @10m	Sound power level	Number of fan	Fan diameter (mm)	Airflow (m³/h)	Fan power (W)	Voltage supply (V)	Internal volume (dm³)	dm³	Suction (mm)	Liquid (mm)	Suction (")	Liquid (")
484	514	544	572	601	COP	1,73	982	484	600	67	28	59	1	350	1695	67	230/1/50	0,23	1,6	10	6	3/8	1/4
503	539	574	610	646																			
521	562	604	645	688																			
538	584	629	676	724																			
613	669	726	787	853																			
636	697	762	832	909	COP	1,82	982	484	600	67	28	59	1	350	1695	67	230/1/50	0,23	1,6	10	6	3/8	1/4
658	725	797	877	965																			
677	750	830	919	1017																			
845	914	991	1074	1158																			
860	950	1029	1111	1193																			
905	980	1058	1138	1215	COP	1,6	982	484	600	69	29	60	1	350	1695	67	230/1/50	0,23	1,6	12	8	1/2	3/8
928	1003	1079	1155	1227																			
937	1010	1086	1167	1252																			
973	1055	1140	1230	1324																			
1007	1095	1187	1283	1383																			
1037	1129	1225	1325	1430	COP	1,79	982	484	600	69	29	60	1	350	1523	67	230/1/50	0,45	2,3	12	8	1/2	3/8
983	1070	1162	1261	1369																			
1028	1121	1220	1326	1441																			
1067	1166	1271	1383	1504																			
1099	1203	1314	1431	1557																			
1214	1320	1432	1555	1690	COP	1,64	982	484	600	76	30	61	1	350	1523	67	230/1/50	0,45	2,3	16	8	5/8	3/8
1227	1344	1470	1606	1755																			
1236	1362	1498	1644	1804																			
1242	1374	1516	1670	1838																			
1129	1236	1352	1479	1624																			
1150	1275	1409	1558	1724																			
1170	1308	1458	1622	1806																			
1188	1336	1496	1673	1870																			
1124	1210	1301	1400	1508	COP	1,97	982	484	600	76	30	61	1	350	1523	67	230/1/50	0,45	2,3	16	8	5/8	3/8
1192	1289	1393	1505	1626																			
1246	1354	1468	1591	1724																			
1288	1404	1527	1659	1801																			
1354	1483	1624	1780	1957																			
1377	1525	1685	1862	2062																			
1399	1560	1735	1929	2148																			
1417	1588	1775	1982	-																			
1722	1891	2071	2264	2470	COP	1,88	1082	490	708	88	34	65	1	400	2673	120	230/1/50	0,71	3,9	16	10	5/8	3/8
1817	1998	2191	2396	2615																			
1892	2088	2296	2516	2750																			
1953	2165	2389	2625	2874																			
1833	1972	2116	2264	2414																			
2020	2172	2329	2490	2653																			
2197	2359	2527	2699	2872																			
2360	2530	2707	2887	3069																			
1802	1938	2080	2225	2372	COP	1,89	1082	490	708	92	33	64	1	400	2673	120	230/1/50	0,71	3,9	18	12	3/4	1/2
1986	2134	2288	2446	2606																			
2159	2318	2483	2651	2822																			
2319	2486	2659	2836	3014																			
2122	2285	2454	2628	2805																			
2340	2518	2702	2891	3083																			
2547	2736	2933	3135	3339																			
2736	2936	3142	3354	3567																			
2020	2174	2334	2499	2666	COP	2,02	1082	490	708	92	33	64	1	400	2545	120	230/1/50	0,91	3,9	18	12	3/4	1/2
2226	2394	2569	2748	2929																			
2422	2601	2788	2978	3171																			
2601	2790	2985	3185	3387																			
2272	2454	2645	2842	3044																			
2503	2701	2907	3120	3336																			
2723	2933	3152	3377	3606																			
2925	3145	3373	3609	3848																			
2823	3024	3232	3444	3656	SEPR	3,12	1277	538	1005	107	36	67	1	500	5195	220	230/1/50	1,34	6	22	16	7/8	5/8
3108	3329	3558	3789	4022																			
3377	3615	3859	4108	4357																			
3623	3874	4131	4393	4655																			
3125	3359	3602	3851	4104																			
3440	3695	3960	4231	4505																			
3737	4010	4293	4582	4874																			
4010	4297	4594	4897	5202																			
3664	3933	4211	4494	4779	SEPR	3,35	1277	538	1005	107	36	67	1	500	4739	220	230/1/50	2,23	6	22	16	7/8	5/8
4040	4335	4639	4948	5260																			
4394	4710	5036	5367	5700																			
4719	5051	5394	5743	6093																			
4426	4772	5135	5508	5888																			
4878	5256	5649	6052	6463																			
5307	5710	6128	6557	6991																			
5701	6123	6561	7009	7463																			

Note: Subject to modification without prior notification.

R452A - MBP - SH10K

CONDENSING UNITS				COMPRESSORS		AMBIENT TEMP.	EN13125 - SUBCOOLING 0K - MIDPOINT								POWER		
CONDENSING UNITS MODELS	CONDENSING UNIT BOM	VOLTAGE SUPPLY (V)	I NOM (A)	COMPRESSOR MODELS	COMPRESSOR BOM		COOLING CAPACITY (W)								-25°C	-20°C	-15°C
							(°C)	-25°C	-20°C	-15°C	-10°C	-5°C	0°C	+5°C			
UP-NEU6212GK-EAE00	667HAS6C2FI	CP: 230V-1ph-50Hz Fan: 230V-1ph-50Hz	3,1	NEU6212GK-A-CSIR	958HA51M1AJ	25	-	627	773	947	1147	1368	1610	1869	-	414	448
						32	-	540	675	834	1014	1214	1431	1662	-	423	461
						38	-	466	590	734	898	1079	1274	1482	-	432	474
						43	-	-	520	653	803	967	1144	1331	-	-	486
UP-NEU6215GK-EAE00	669NAS6C4FI	CP: 230V-1ph-50Hz Fan: 230V-1ph-50Hz	2,8	NEU6215GK-A-CSR	959NA5190AF	25	-	840	1031	1252	1497	1766	2055	2359	-	499	553
						32	-	731	903	1102	1325	1569	1831	2108	-	515	571
						38	-	636	792	974	1177	1400	1639	1892	-	528	587
						43	-	-	702	869	1056	1261	1482	1716	-	-	600
UP-NT6222GK-EAE00	602CAS6C4FI	CP: 230V-1ph-50Hz Fan: 230V-1ph-50Hz	4,3	NT6222GK-A-CSR	922CA0404AF	25	-	999	1242	1516	1818	2145	2494	2865	-	735	779
						32	-	860	1074	1316	1582	1871	2183	2514	-	747	801
						38	-	-	931	1144	1380	1638	1917	2216	-	-	824
						43	-	-	-	1006	1216	1447	1699	1971	-	-	-
UP-NT6224GK-EAE00	622RAS6C4FI	CP: 230V-1ph-50Hz Fan: 230V-1ph-50Hz	4,5	NT6224GK-A-CSR	922RA0404AF	25	-	1210	1540	1911	2317	2757	3225	3720	-	793	859
						32	-	1061	1343	1666	2025	2419	2843	3296	-	811	885
						38	-	924	1170	1457	1781	2140	2531	2951	-	831	911
						43	-	-	1031	1291	1589	1922	2287	2683	-	-	934
UP-NT6226GK-EAE00	603BAS6C4FI	CP: 230V-1ph-50Hz Fan: 230V-1ph-50Hz	4,8	NT6226GK-A-CSR	923BA0204AF	25	-	1345	1685	2074	2506	2977	3481	4012	-	814	892
						32	-	1160	1461	1807	2195	2619	3075	3558	-	843	928
						38	-	1007	1275	1586	1937	2322	2739	3181	-	869	959
						43	-	-	1131	1414	1734	2088	2472	2881	-	-	984
UP-NJ9232GK-EAE00	643NAS6C4FI	CP: 230V-1ph-50Hz Fan: 230V-1ph-50Hz	5,7	NJ9232GK-A-CSR	943NA1104AF	25	-	1399	1808	2262	2756	3284	3841	4420	-	1005	1103
						32	-	1164	1527	1934	2380	2860	3367	3897	-	996	1102
						38	-	968	1288	1654	2057	2495	2959	3446	-	989	1102
						43	-	-	1098	1426	1793	2193	2622	3072	-	-	-
UP-NJ9232GS-EAE00	647NMS6C3FI	CP: 400V-3ph-50Hz Fan: 230V-1ph-50Hz	2,1	NJ9232GS-M	947NM1101AA	25	-	1469	1870	2341	2875	3459	4082	4734	-	912	1016
						32	-	1261	1620	2042	2521	3045	3604	4188	-	904	1020
						38	-	1084	1405	1785	2217	2690	3195	3722	-	902	1026
						43	-	-	-	1576	1968	2399	2858	3337	-	-	-
UP-NTU6238GKV-EAE00	605EAS6C4FI	CP: 230V-1ph-50Hz Fan: 230V-1ph-50Hz	5,6	NTU6238GKV-A-CSR	925EA6004AF	25	-	1718	2099	2562	3085	3646	4225	4803	-	949	1029
						32	-	1501	1835	2244	2706	3201	3711	4216	-	993	1083
						38	-	-	1608	1970	2381	2820	3271	3714	-	-	1126
						43	-	-	-	1747	2115	2508	2909	3301	-	-	-
UP-NJ9238GS-EAE00	647RMS6C3FI	CP: 400V-3ph-50Hz Fan: 230V-1ph-50Hz	2,9	NJ9238GS-M	947RM1101AA	25	-	1838	2319	2842	3404	4002	4631	5287	-	1098	1218
						32	-	1571	1992	2457	2963	3506	4081	4683	-	1089	1223
						38	-	-	1715	2151	2588	3084	3613	4170	-	-	1230
						43	-	-	-	1866	2283	2739	3230	-	-	-	-
UP-NJX6250GS-EAE00	645BSS6C3FI	CP: 400V-3ph-50Hz Fan: 230V-1ph-50Hz	3,4	NJX6250GS-M	945BS2101AA	25	-	2472	3035	3688	4418	5211	6055	6937	-	1402	1548
						32	-	2184	2680	3256	3902	4607	5358	6144	-	1461	1622
						38	-	1913	2358	2875	3456	4090	4767	5476	-	1503	1681
						43	-	-	-	2562	3092	3671	4289	4936	-	-	-
UP-SE6015GK-EAE00	651ACS6C4FI	CP: 230V-1ph-50Hz Fan: 230V-1ph-50Hz	8,5	SE6015GK-C	301AC1104AA	25	2169	2688	3289	3979	4761	5636	6604	7663	1450	1557	1677
						32	1927	2401	2947	3572	4281	5076	5959	6929	1590	1710	1843
						38	1688	2128	2631	3205	3856	4587	5402	6300	1733	1862	2004
						43	1474	1888	2358	2893	3499	4180	4940	5781	1867	2001	2150
UP-SE6015GS-EAE00	651AOS6C3FI	CP: 400V-3ph-50Hz Fan: 230V-1ph-50Hz	3,2	SE6015GS-O	301A01101AA	25	2171	2690	3292	3983	4765	5641	6610	7671	1426	1532	1649
						32	1929	2403	2950	3576	4286	5082	5966	6938	1564	1681	1812
						38	1690	2130	2634	3209	3861	4594	5410	6310	1704	1830	1970
						43	1477	1891	2362	2898	3504	4187	4948	5791	1835	1967	2113
UP-SE6018GK-EAE00	651BCS6C4FI	CP: 230V-1ph-50Hz Fan: 230V-1ph-50Hz	10,2	SE6018GK-C	301BC1104AA	25	2588	3206	3922	4744	5674	6714	7864	9121	1672	1799	1939
						32	2299	2863	3514	4258	5101	6047	7096	8249	1836	1977	2132
						38	2013	2537	3137	3821	4595	5465	6433	7501	2003	2154	2320
						43	1759	2252	2812	3449	4170	4980	5884	6884	2159	2316	2491
UP-SE6018GS-EAE00	651BOS6C3FI	CP: 400V-3ph-50Hz Fan: 230V-1ph-50Hz	4,7	SE6018GS-O	301B01101AA	25	2592	3212	3930	4754	5687	6731	7885	9148	1594	1714	1847
						32	2305	2871	3524	4271	5117	6066	7120	8278	1749	1882	2030
						38	2021	2547	3148	3834	4612	5487	6459	7532	1907	2050	2208
						43	1767	2262	2825	3464	4188	5003	5912	6917	2055	2204	2369
UP-SE6021GS-EAE00	651COS6C3FI	CP: 400V-3ph-50Hz Fan: 230V-1ph-50Hz	4,9	SE6021GS-O	301C01101AA	25	2916	3606	4401	5308	6329	7464	8712	10069	1773	1912	2067
						32	2583	3213	3934	4756	5681	6714	7853	9098	1949	2102	2273
						38	2258	2842	3507	4261	5112	6062	7115	8268	2126	2290	2472
						43	1969	2519	3140	3843	4635	5521	6504	7586	2291	2462	2652
UP-SE6026GS-EAE00	651GOS6C3FI	CP: 400V-3ph-50Hz Fan: 230V-1ph-50Hz	6,2	SE6026GS-O	301G01101AA	25	3769	4679	5741	6965	8360	9930	11677	13599	2261	2421	2597
						32	3366	4199	5165	6277	7544	8973	10569	12333	2473	2651	2849
						38	2963	3737	4629	5651	6816	8133	9607	11242	2690	2882	3094
						43	2600	3330	4164	5117	6202	7430	8807	10339	2895	3096	3318
UP-SE6030GS-EAE00	651DOS6C3FI	CP: 400V-3ph-50Hz Fan: 230V-1ph-50Hz	6,6	SE6030GS-O	301D01101AA	25	4235	5249	6426	7777	9308	11024	12922	15000	2478	2660	2862
						32	3771	4698	5768	6994	8384	9945	11679	13586	2714	2917	3141
						38	3311	4172	5159	6286	7565	9003	10605	12373	2955	3172	3413
						43	2900	3711	4634	5685	6876	8217	9714	11371	3180	3407	3659
UP-SE6036GS-EAE00	651EOS6C3FI	CP: 400V-3ph-50Hz Fan: 230V-1ph-50Hz	7,6	SE6036GS-O	301E01101AA	25	5246	6511	7985	9684	11617	13791	16206	18862	2917	3129	3363
						32	4685	5844	7185	8727	10484	12463	14671	17108	3196	3433	3695
						38	4125	5201	6439	7858	9474	11299	13339	15599	3483	3737	4018
						43	3621	4636	5794	7117	8623	10324	12231	14350	3751	4018	4312
UP-SE6043GS-EAE00	651FOS6C3FI	CP: 400V-3ph-50Hz Fan: 230V-1ph-50Hz	8,6	SE6043GS-O	301F01101AA	25	6140	7601	9292	11227	13413	15853	18544	21480	3471	3738	4035
						32	5456	6792	8328	10082	12066	14287	16745	19440	3812	4108	4438
						38	4783	6023	7439	9053	10877	12923	15194	17694	4159	4476	4828
						43	4183	5351	6676	8179	9879	11787	13910	16254	4482	4813	5181

GENERAL DATA & PERFORMANCE

INPUT (W)					ECO DESIGN		DIMENSIONS (mm)			WEIGHT	ACOUSTICS dB (A)		CONDENSER/FAN						LIQUID RECEIVER		CONNECTION DIAMETERS			
-10°C	-5°C	0°C	+5°C	+10°C	Type	Cop/Seer	W (width)	D (depth)	H (height)	Net (kg)	Sound Press. @10m	Sound power level	Number of fan	Fan diameter (mm)	Airflow (m³/h)	Fan power (W)	Voltage supply (V)	Internal volume (dm³)	dm³	Suction (mm)	Liquid (mm)	Suction (")	Liquid (")	
480	511	541	571	602	-	-	982	484	600	67	28	59	1	350	1695	67	230/1/50	0,23	1,6	10	6	3/8	1/4	
498	535	571	608	647	-	-	982	484	600	67	28	59	1	350	1695	67	230/1/50	0,23	1,6	10	6	3/8	1/4	
515	557	599	643	689	-	-	982	484	600	67	28	59	1	350	1695	67	230/1/50	0,23	1,6	10	6	3/8	1/4	
531	577	624	673	725	-	-	982	484	600	67	28	59	1	350	1695	67	230/1/50	0,23	1,6	10	6	3/8	1/4	
608	664	722	785	854	-	-	982	484	600	67	28	59	1	350	1695	67	230/1/50	0,23	1,6	10	6	3/8	1/4	
629	691	757	829	910	-	-	982	484	600	67	28	59	1	350	1695	67	230/1/50	0,23	1,6	10	6	3/8	1/4	
649	717	791	873	966	-	-	982	484	600	67	28	59	1	350	1695	67	230/1/50	0,23	1,6	10	6	3/8	1/4	
667	741	823	914	1018	-	-	982	484	600	67	28	59	1	350	1695	67	230/1/50	0,23	1,6	10	6	3/8	1/4	
837	906	984	1069	1158	-	-	982	484	600	67	28	59	1	350	1695	67	230/1/50	0,23	1,6	10	6	3/8	1/4	
866	940	1021	1106	1193	-	-	982	484	600	69	29	60	1	350	1695	67	230/1/50	0,23	1,6	12	8	1/2	3/8	
892	968	1049	1132	1214	-	-	982	484	600	69	29	60	1	350	1695	67	230/1/50	0,23	1,6	12	8	1/2	3/8	
914	990	1069	1149	1226	-	-	982	484	600	69	29	60	1	350	1695	67	230/1/50	0,23	1,6	12	8	1/2	3/8	
929	1002	1080	1164	1254	-	-	982	484	600	69	29	60	1	350	1695	67	230/1/50	0,23	1,6	12	8	1/2	3/8	
963	1045	1133	1226	1325	-	-	982	484	600	69	29	60	1	350	1523	67	230/1/50	0,45	2,3	12	8	1/2	3/8	
995	1083	1177	1278	1384	-	-	982	484	600	69	29	60	1	350	1523	67	230/1/50	0,45	2,3	12	8	1/2	3/8	
1022	1115	1214	1319	1431	-	-	982	484	600	69	29	60	1	350	1523	67	230/1/50	0,45	2,3	12	8	1/2	3/8	
974	1061	1155	1258	1371	-	-	982	484	600	69	29	60	1	350	1523	67	230/1/50	0,45	2,3	12	8	1/2	3/8	
1016	1110	1211	1322	1443	-	-	982	484	600	69	29	60	1	350	1523	67	230/1/50	0,45	2,3	12	8	1/2	3/8	
1053	1153	1260	1378	1506	-	-	982	484	600	69	29	60	1	350	1523	67	230/1/50	0,45	2,3	12	8	1/2	3/8	
1083	1188	1302	1424	1558	-	-	982	484	600	69	29	60	1	350	1523	67	230/1/50	0,45	2,3	12	8	1/2	3/8	
1203	1309	1424	1550	1692	-	-	982	484	600	76	30	61	1	350	1523	67	230/1/50	0,45	2,3	16	8	5/8	3/8	
1214	1332	1460	1601	1757	-	-	982	484	600	76	30	61	1	350	1523	67	230/1/50	0,45	2,3	16	8	5/8	3/8	
1221	1348	1486	1637	1805	-	-	982	484	600	76	30	61	1	350	1523	67	230/1/50	0,45	2,3	16	8	5/8	3/8	
1226	1359	1504	1663	1838	-	-	982	484	600	76	30	61	1	350	1523	67	230/1/50	0,45	2,3	16	8	5/8	3/8	
1119	1226	1343	1474	1627	-	-	982	484	600	76	30	61	1	350	1523	67	230/1/50	0,45	2,3	16	8	5/8	3/8	
1138	1262	1398	1551	1726	-	-	982	484	600	76	30	61	1	350	1523	67	230/1/50	0,45	2,3	16	8	5/8	3/8	
1156	1294	1445	1614	1807	-	-	982	484	600	76	30	61	1	350	1523	67	230/1/50	0,45	2,3	16	8	5/8	3/8	
1171	1319	1482	1664	1871	-	-	982	484	600	76	30	61	1	350	1523	67	230/1/50	0,45	2,3	16	8	5/8	3/8	
1111	1197	1291	1395	1511	-	-	982	484	600	76	30	61	1	350	1523	67	230/1/50	0,45	2,3	16	8	5/8	3/8	
1175	1274	1380	1498	1629	-	-	982	484	600	76	30	61	1	350	1523	67	230/1/50	0,45	2,3	16	8	5/8	3/8	
1228	1336	1454	1583	1725	-	-	982	484	600	76	30	61	1	350	1523	67	230/1/50	0,45	2,3	16	8	5/8	3/8	
1267	1384	1511	1649	1802	-	-	982	484	600	76	30	61	1	350	1523	67	230/1/50	0,45	2,3	16	8	5/8	3/8	
1341	1470	1612	1773	1959	-	-	982	484	600	76	30	61	1	350	1523	67	230/1/50	0,45	2,3	16	8	5/8	3/8	
1361	1508	1670	1853	2064	-	-	982	484	600	76	30	61	1	350	1523	67	230/1/50	0,45	2,3	16	8	5/8	3/8	
1380	1541	1719	1919	2148	-	-	982	484	600	76	30	61	1	350	1523	67	230/1/50	0,45	2,3	16	8	5/8	3/8	
1396	1568	1757	1971	-	-	-	982	484	600	76	30	61	1	350	1523	67	230/1/50	0,45	2,3	16	8	5/8	3/8	
1704	1872	2054	2253	2469	-	-	1082	490	708	88	34	65	1	400	2673	120	230/1/50	0,71	3,9	16	10	5/8	3/8	
1793	1976	2172	2385	2617	-	-	1082	490	708	88	34	65	1	400	2673	120	230/1/50	0,71	3,9	16	10	5/8	3/8	
1867	2065	2277	2505	2751	-	-	1082	490	708	88	34	65	1	400	2673	120	230/1/50	0,71	3,9	16	10	5/8	3/8	
1925	2138	2364	2607	2867	-	-	1082	490	708	92	33	64	1	400	2673	120	230/1/50	0,71	3,9	18	12	5/8	1/2	
1807	1948	2097	2254	2420	-	-	1082	490	708	92	33	64	1	400	2673	120	230/1/50	0,71	3,9	18	12	5/8	1/2	
1988	2143	2307	2479	2659	-	-	1082	490	708	92	33	64	1	400	2673	120	230/1/50	0,71	3,9	18	12	5/8	1/2	
2159	2325	2500	2683	2873	-	-	1082	490	708	92	33	64	1	400	2673	120	230/1/50	0,71	3,9	18	12	5/8	1/2	
2312	2485	2668	2859	3056	-	-	1082	490	708	92	33	64	1	400	2673	120	230/1/50	0,71	3,9	18	12	5/8	1/2	
1777	1914	2061	2215	2378	-	-	1082	490	708	92	33	64	1	400	2673	120	230/1/50	0,71	3,9	18	12	5/8	1/2	
1954	2106	2267	2436	2613	-	-	1082	490	708	92	33	64	1	400	2673	120	230/1/50	0,71	3,9	18	12	5/8	1/2	
2122	2284	2456	2636	2822	-	-	1082	490	708	92	33	64	1	400	2673	120	230/1/50	0,71	3,9	18	12	5/8	1/2	
2272	2442	2621	2808	3002	-	-	1082	490	708	92	33	64	1	400	2673	120	230/1/50	0,71	3,9	18	12	5/8	1/2	
2092	2256	2432	2617	2811	-	-	1082	490	708	92	33	64	1	400	2545	120	230/1/50	0,91	3,9	18	12	3/4	1/2	
2302	2484	2676	2879	3090	-	-	1082	490	708	92	33	64	1	400	2545	120	230/1/50	0,91	3,9	18	12	3/4	1/2	
2502	2695	2901	3116	3339	-	-	1082	490	708	92	33	64	1	400	2545	120	230/1/50	0,91	3,9	18	12	3/4	1/2	
2680	2882	3096	3320	3552	-	-	1082	490	708	92	33	64	1	400	2545	120	230/1/50	0,91	3,9	18	12	3/4	1/2	
1991	2147	2313	2488	2672	-	-	1082	490	708	92	33	64	1	400	2545	120	230/1/50	0,91	3,9	18	12	3/4	1/2	
2190	2362	2545	2736	2936	-	-	1082	490	708	92	33	64	1	400	2545	120	230/1/50	0,91	3,9	18	12	3/4	1/2	
2379	2563	2757	2961	3172	-	-	1082	490	708	92	33	64	1	400	2545	120	230/1/50	0,91	3,9	18	12	3/4	1/2	
2548	2740	2942	3154	3374	-	-	1082	490	708	92	33	64	1	400	2545	120	230/1/50	0,91	3,9	18	12	3/4	1/2	
2237	2421	2619	2829	3052	-	-	1082	490	708	92	33	64	1	400	2545	120	230/1/50	0,91	3,9	18	12	3/4	1/2	
2460	2662	2877	3104	3343	-	-	1082	490	708	92	33	64	1	400	2545	120	230/1/50	0,91	3,9	18	12	3/4	1/2	
2671	2885	3112	3352	3602	-	-	1082	490	708	92	33	64	1	400	2545	120	230/1/50	0,91	3,9	18	12	3/4	1/2	
2859	3081	3317	3565	3823	-	-	1082	490	708	92	33	64	1	400	2545	120	230/1/50	0,91	3,9	18	12	3/4	1/2	
2788	2991	3205	3429	3662	-	-	1277	538	1005	107	36	67	1	500	5195	220	230/1/50	1,34	6	22	16	7/8	5/8	
3061	3288	3526	3775	4032	-	-	1277	538	1005	107	36	67	1											

R449A - MBP - RTG20

CONDENSING UNITS				COMPRESSORS		AMBIENT TEMP.	EN13125 - SUBCOOLING 0K - MIDPOINT								POWER		
CONDENSING UNITS MODELS	CONDENSING UNIT BOM	VOLTAGE SUPPLY (V)	I NOM (A)	COMPRESSOR MODELS	COMPRESSOR BOM		COOLING CAPACITY (W)								-25°C	-20°C	-15°C
							(°C)	-25°C	-20°C	-15°C	-10°C	-5°C	0°C	+5°C			
UP-NEU6212GK-EAE00	667HAS6C2FI	CP: 230V-1ph-50Hz Fan: 230V-1ph-50Hz	3,1	NEU6212GK-A-CSIR	958HA51M1AJ	25	-	-	732	899	1094	1317	1568	1843	-	-	438
						32	-	-	656	819	1006	1217	1449	1700	-	-	418
						38	-	-	601	754	927	1119	1328	1553	-	-	432
						43	-	-	-	694	851	1024	1211	1412	-	-	-
UP-NEU6215GK-EAE00	669NAS6C4FI	CP: 230V-1ph-50Hz Fan: 230V-1ph-50Hz	2,8	NEU6215GK-A-CSR	959NA5190AF	25	-	-	991	1210	1461	1744	2056	2391	-	-	515
						32	-	-	895	1104	1341	1603	1886	2188	-	-	535
						38	-	-	824	1016	1231	1466	1719	1985	-	-	555
						43	-	-	-	1126	1334	1556	1789	2056	-	-	-
UP-NT6222GK-EAE00	602CAS6C4FI	CP: 230V-1ph-50Hz Fan: 230V-1ph-50Hz	4,3	NT6222GK-A-CSR	922CA0404AF	25	-	-	1205	1485	1798	2138	2502	2885	-	-	-
						32	-	-	1090	1342	1619	1919	2239	2574	-	-	762
						38	-	-	-	1208	1452	1716	1996	2290	-	-	-
						43	-	-	-	1300	1533	1780	2040	-	-	-	
UP-NT6224GK-EAE00	622RAS6C4FI	CP: 230V-1ph-50Hz Fan: 230V-1ph-50Hz	4,5	NT6224GK-A-CSR	922RA0404AF	25	-	-	1470	1834	2238	2677	3147	3645	-	-	803
						32	-	-	1335	1660	2023	2420	2846	3300	-	-	837
						38	-	-	1217	1511	1840	2201	2591	3007	-	-	866
						43	-	-	-	-	1680	2013	2374	2759	-	-	-
UP-NT6226GK-EAE00	603BAS6C4FI	CP: 230V-1ph-50Hz Fan: 230V-1ph-50Hz	4,8	NT6226GK-A-CSR	923BA0204AF	25	-	-	1617	2012	2461	2955	3488	4048	-	-	829
						32	-	-	1473	1832	2237	2680	3154	3650	-	-	872
						38	-	-	1350	1675	2038	2433	2853	3292	-	-	906
						43	-	-	-	-	1859	2212	2586	2975	-	-	-
UP-NJ9232GK-EAE00	643NAS6C4FI	CP: 230V-1ph-50Hz Fan: 230V-1ph-50Hz	5,7	NJ9232GK-A-CSR	943NA1104AF	25	-	-	1830	2312	2853	3442	4071	4728	-	-	936
						32	-	-	1642	2082	2574	3109	3676	4265	-	-	961
						38	-	-	-	1884	2330	2812	3321	3849	-	-	-
						43	-	-	-	-	2110	2547	3007	3481	-	-	-
UP-NJ9232GS-EAE00	647NMS6C3FI	CP: 400V-3ph-50Hz Fan: 230V-1ph-50Hz	2,1	NJ9232GS-M	947NM1101AA	25	-	-	1830	2311	2851	3439	4066	4719	-	-	938
						32	-	-	1642	2082	2573	3106	3670	4254	-	-	963
						38	-	-	-	1884	2328	2809	3315	3836	-	-	-
						43	-	-	-	-	2109	2544	3000	3466	-	-	-
UP-NTU6238GKV-EAE00	605EAS6C4FI	CP: 230V-1ph-50Hz Fan: 230V-1ph-50Hz	5,6	NTU6238GKV-A-CSR	925EA6004AF	25	-	-	2059	2541	3089	3676	4279	4874	-	-	965
						32	-	-	1888	2322	2808	3323	3844	4352	-	-	1027
						38	-	-	-	2113	2543	2992	3441	3871	-	-	-
						43	-	-	-	-	2297	2689	3077	3444	-	-	-
UP-NJ9238GS-EAE00	647RMS6C3FI	CP: 400V-3ph-50Hz Fan: 230V-1ph-50Hz	2,9	NJ9238GS-M	947RM1101AA	25	-	-	2292	2832	3410	4020	4661	5327	-	-	1131
						32	-	-	2044	2531	3055	3611	4195	4802	-	-	1158
						38	-	-	-	2263	2736	3240	3771	4323	-	-	-
						43	-	-	-	-	-	2908	3393	-	-	-	-
UP-NJX6250GS-EAE00	645BSS6C3FI	CP: 400V-3ph-50Hz Fan: 230V-1ph-50Hz	3,4	NJX6250GS-M	945BS2101AA	25	-	-	3002	3685	4453	5290	6180	7107	-	-	1447
						32	-	-	2715	3329	4018	4767	5562	6388	-	-	1530
						38	-	-	-	3011	3635	4311	5026	5766	-	-	-
						43	-	-	-	-	3313	3929	4578	5248	-	-	-
UP-SE6015GK-EAE00	6S1ACS6C4FI	CP: 230V-1ph-50Hz Fan: 230V-1ph-50Hz	8,5	SE6015GK-C	301AC1104AA	25	2365	2886	3475	4142	4894	5738	6676	7710	1386	1487	1599
						32	-	2656	3199	3810	4496	5264	6120	7065	-	1649	1774
						38	-	-	2931	3497	4129	4836	5623	6493	-	-	1953
						43	-	-	-	3211	3801	4459	5190	6000	-	-	-
UP-SE6015GS-EAE00	6S1AOS6C3FI	CP: 400V-3ph-50Hz Fan: 230V-1ph-50Hz	3,2	SE6015GS-O	301AO1101AA	25	2366	2888	3477	4144	4897	5742	6681	7717	1364	1463	1572
						32	-	2658	3202	3813	4499	5269	6126	7072	-	1621	1744
						38	-	-	2934	3500	4134	4842	5630	6502	-	-	1919
						43	-	-	-	3215	3806	4465	5198	6009	-	-	-
UP-SE6018GK-EAE00	6S1BCS6C4FI	CP: 230V-1ph-50Hz Fan: 230V-1ph-50Hz	10,2	SE6018GK-C	301BC1104AA	25	2822	3442	4144	4937	5832	6835	7950	9177	1599	1718	1848
						32	-	3167	3814	4541	5357	6271	7287	8409	-	1906	2053
						38	-	-	3494	4168	4920	5760	6695	7728	-	-	2262
						43	-	-	-	3826	4528	5310	6179	7140	-	-	-
UP-SE6018GS-EAE00	6S1BOS6C3FI	CP: 400V-3ph-50Hz Fan: 230V-1ph-50Hz	4,7	SE6018GS-O	301BO1101AA	25	2825	3447	4150	4945	5843	6849	7967	9199	1524	1637	1761
						32	-	3173	3822	4551	5369	6286	7307	8434	-	1815	1954
						38	-	-	3504	4179	4935	5779	6718	7757	-	-	2151
						43	-	-	-	3840	4546	5332	6205	7172	-	-	-
UP-SE6021GS-EAE00	6S1COS6C3FI	CP: 400V-3ph-50Hz Fan: 230V-1ph-50Hz	4,9	SE6021GS-O	301CO1101AA	25	3187	3883	4664	5544	6531	7630	8845	10174	1699	1829	1974
						32	-	3564	4285	5090	5989	6989	8095	9309	-	2031	2193
						38	-	-	3916	4662	5489	6408	7424	8540	-	-	2419
						43	-	-	-	4270	5041	5895	6838	7875	-	-	-
UP-SE6026GS-EAE00	6S1GOS6C3FI	CP: 400V-3ph-50Hz Fan: 230V-1ph-50Hz	6,2	SE6026GS-O	301GO1101AA	25	4097	5006	6040	7218	8555	10063	11751	13623	2158	2308	2471
						32	-	4623	5580	6660	7882	9259	10803	12518	-	2552	2736
						38	-	-	5133	6137	7267	8537	9961	11547	-	-	3002
						43	-	-	4716	5661	6718	7904	9232	10712	-	-	3266
UP-SE6030GS-EAE00	6S1DOS6C3FI	CP: 400V-3ph-50Hz Fan: 230V-1ph-50Hz	6,6	SE6030GS-O	301DO1101AA	25	4613	5631	6782	8087	9562	11216	13058	15090	2369	2539	2727
						32	-	5189	6253	7449	8796	10305	11988	13848	-	2811	3021
						38	-	-	5740	6850	8093	9484	11035	12752	-	-	3320
						43	-	-	-	6304	7466	8762	10207	11807	-	-	-
UP-SE6036GS-EAE00	6S1EOS6C3FI	CP: 400V-3ph-50Hz Fan: 230V-1ph-50Hz	7,6	SE6036GS-O	301EO1101AA	25	5702	6967	8403	10037	11889	13977	16310	18895	2782	2981	3199
						32	-	6433	7761	9260	10954	12860	14994	17364	-	3304	3548
						38	-	-	7140	8532	10098	11857	13827	16017	-	-	3900
						43	-	-	6559	7870	9335	10977	12814	14859	-	-	4249
UP-SE6043GS-EAE00	6S1FOS6C3FI	CP: 400V-3ph-50Hz Fan: 230V-1ph-50Hz	8,6	SE6043GS-O	301FO1101AA	25	6698	8167	9825	11698	13807	16165	18780	21654	3318	3569	3846
						32	-	7515	9046	10762	12686	14835	17222	19851	-	3962	4272
						38	-	-	8290	9881	11656	13635	15832	18256	-	-	4707
						43	-	-	-	9077	10735	12578	14622	16879	-	-	-

GENERAL DATA & PERFORMANCE

INPUT (W)					ECO DESIGN		DIMENSIONS (mm)			WEIGHT	ACOUSTICS dB (A)		CONDENSER/FAN					LIQUID RECEIVER		CONNECTION DIAMETERS			
-10°C	-5°C	0°C	+5°C	+10°C	Type	Cop/Seer	W (width)	D (depth)	H (height)	Net (kg)	Sound Press. @10m	Sound power level	Number of fan	Fan diameter (mm)	Airflow (m³/h)	Fan power (W)	Voltage supply (V)	Internal volume (dm³)	dm³	Suction (mm)	Liquid (mm)	Suction (")	Liquid (")
456	473	493	518	552	COP	1,76	982	484	600	67	28	59	1	350	1695	67	230/1/50	0,23	1,6	10	6	3/8	1/4
453	488	525	565	610																			
478	521	565	609	655																			
504	549	592	635	678																			
562	611	664	721	784																			
587	643	703	770	845	COP	1,84	982	484	600	67	28	59	1	350	1695	67	230/1/50	0,23	1,6	10	6	3/8	1/4
612	675	742	818	902																			
-	702	777	860	953																			
-	851	923	1000	1080																			
823	893	968	1045	1123																			
854	927	1003	1080	1156	COP	1,63	982	484	600	69	29	60	1	350	1695	67	230/1/50	0,23	1,6	12	8	1/2	3/8
-	954	1031	1107	1181																			
865	930	999	1071	1147																			
907	981	1058	1139	1224																			
944	1024	1109	1197	1290																			
-	1061	1152	1248	1347	COP	1,79	982	484	600	69	29	60	1	350	1523	67	230/1/50	0,45	2,3	12	8	1/2	3/8
901	978	1061	1152	1251																			
951	1036	1128	1226	1333																			
993	1086	1184	1290	1403																			
-	1127	1232	1344	1464																			
1025	1117	1215	1322	1443	COP	1,91	982	484	600	76	30	61	1	350	1523	67	230/1/50	0,45	2,3	16	8	5/8	3/8
1063	1170	1285	1412	1554																			
1096	1218	1349	1493	1653																			
-	1257	1402	1562	1738																			
1035	1133	1237	1353	1487																			
1070	1183	1306	1445	1606	COP	1,89	982	484	600	76	30	61	1	350	1523	67	230/1/50	0,45	2,3	16	8	5/8	8
1100	1227	1367	1527	1712																			
-	1264	1419	1596	1801																			
1039	1117	1201	1293	1394																			
1111	1201	1298	1404	1519																			
1168	1270	1380	1498	1627	COP	2,03	982	484	600	76	30	61	1	350	1523	67	230/1/50	0,45	2,3	16	8	5/8	3/8
-	1326	1447	1577	1718																			
1245	1363	1490	1634	1803																			
1284	1419	1567	1738	1937																			
1317	1467	1635	1828	2054																			
-	-	1691	1903	-	COP	1,92	982	484	600	76	30	61	1	350	1523	67	230/1/50	0,45	2,3	16	8	5/8	3/8
1599	1760	1932	2115	2312																			
1696	1871	2059	2260	2475																			
1775	1968	2173	2392	2627																			
-	2050	2273	2511	2763																			
1720	1851	1992	2142	2301	COP	1,96	1082	490	708	92	33	64	1	400	2673	120	230/1/50	0,71	3,9	18	12	5/8	1/2
1909	2054	2210	2375	2552																			
2102	2262	2432	2613	2807																			
2293	2466	2650	2846	3055																			
1691	1820	1958	2105	2261																			
1877	2019	2171	2334	2507																			
2066	2222	2389	2567	2757																			
2252	2422	2603	2795	2999																			
1991	2145	2310	2486	2674	COP	2,02	1082	490	708	92	33	64	1	400	2545	120	230/1/50	0,91	3,9	18	12	3/4	1/2
2211	2382	2565	2760	2968																			
2437	2624	2824	3038	3266																			
2660	2863	3079	3310	3556																			
1896	2041	2198	2365	2543																			
2104	2266	2438	2623	2819																			
2317	2494	2683	2885	3100																			
2527	2718	2923	3141	3372																			
2133	2305	2491	2692	2908	COP	2,1	1082	490	708	92	33	64	1	400	2545	120	230/1/50	0,91	3,9	18	12	3/4	1/2
2370	2561	2767	2989	3228																			
2613	2823	3049	3292	3553																			
2854	3082	3326	3588	3870																			
2649	2839	3042	3256	3481																			
2933	3143	3366	3602	3851																			
3219	3450	3694	3951	4223																			
3501	3750	4013	4291	4584																			
2931	3152	3388	3640	3907	SEPR	3,28	1277	538	1005	107	36	67	1	500	5195	220	230/1/50	1,34	6	22	16	7/8	5/8
3248	3492	3753	4030	4325																			
3570	3837	4122	4426	4748																			
3887	4176	4484	4811	5158																			
3436	3690	3961	4248	4551																			
3811	4091	4390	4706	5039																			
4189	4496	4822	5167	5532																			
4561	4893	5245	5616	6008																			
4149	4476	4829	5207	5610	SEPR	3,35	1277	538	1005	107	36	67	1	500	4739	220	230/1/50	2,23	6	22	16	7/8	5/8
4608	4971	5360	5777	6222																			
5077	5475	5901	6356	6843																			
5540	5970	6430	6921	7445																			

Note: Subject to modification without prior notification.

R449A - MBP - SH10K

CONDENSING UNITS				COMPRESSORS		AMBIENT TEMP. (°C)	EN13125 - SUBCOOLING OK - MIDPOINT								POWER			
CONDENSING UNITS MODELS	CONDENSING UNIT BOM	VOLTAGE SUPPLY (V)	I NOM (A)	COMPRESSOR MODELS	COMPRESSOR BOM		COOLING CAPACITY (W)								-25°C	-20°C	-15°C	
							-25°C	-20°C	-15°C	-10°C	-5°C	0°C	+5°C	+10°C				
UP-NEU6212GK-EAE00	667HAS6C2FI	CP: 230V-1ph-50Hz Fan: 230V-1ph-50Hz	3,1	NEU6212GK-A-CSIR	958HA51M1AJ	25	-	-	717	887	1085	1313	1569	1850	-	-	428	
						32	-	-	645	808	996	1209	1445	1703	-	-	422	
						38	-	-	583	735	910	1105	1320	1554	-	-	429	
						43	-	-	-	671	830	1008	1204	1415	-	-	-	
UP-NEU6215GK-EAE00	669NAS6C4FI	CP: 230V-1ph-50Hz Fan: 230V-1ph-50Hz	2,8	NEU6215GK-A-CSR	959NA5190AF	25	-	-	974	1197	1452	1739	2056	2399	-	-	512	
						32	-	-	878	1087	1324	1588	1877	2188	-	-	533	
						38	-	-	795	987	1204	1445	1706	1987	-	-	551	
						43	-	-	-	1098	1316	1553	1805	-	-	-		
UP-NT6222GK-EAE00	602CAS6C4FI	CP: 230V-1ph-50Hz Fan: 230V-1ph-50Hz	4,3	NT6222GK-A-CSR	922CA0404AF	25	-	-	1184	1465	1779	2123	2494	2886	-	-	730	
						32	-	-	1062	1314	1594	1899	2227	2573	-	-	757	
						38	-	-	-	1176	1423	1693	1982	2289	-	-	-	
						43	-	-	-	1269	1508	1765	2039	-	-	-		
UP-NT6224GK-EAE00	622RAS6C4FI	CP: 230V-1ph-50Hz Fan: 230V-1ph-50Hz	4,5	NT6224GK-A-CSR	922RA0404AF	25	-	-	1444	1814	2223	2669	3148	3657	-	-	799	
						32	-	-	1308	1634	1999	2400	2836	3303	-	-	831	
						38	-	-	1176	1470	1802	2171	2574	3009	-	-	860	
						43	-	-	-	1639	1984	2363	2774	-	-	-		
UP-NT6226GK-EAE00	603BAS6C4FI	CP: 230V-1ph-50Hz Fan: 230V-1ph-50Hz	4,8	NT6226GK-A-CSR	923BA0204AF	25	-	-	1590	1990	2444	2945	3486	4058	-	-	825	
						32	-	-	1442	1801	2207	2656	3139	3652	-	-	865	
						38	-	-	1303	1628	1995	2399	2835	3297	-	-	900	
						43	-	-	-	1814	2182	2579	2998	-	-	-		
UP-NJ9232GK-EAE00	643NAS6C4FI	CP: 230V-1ph-50Hz Fan: 230V-1ph-50Hz	5,7	NJ9232GK-A-CSR	943NA1104AF	25	-	-	1802	2288	2833	3428	4064	4734	-	-	931	
						32	-	-	1608	2044	2535	3074	3654	4265	-	-	956	
						38	-	-	-	1827	2276	2771	3303	3867	-	-	-	
						43	-	-	-	2062	2521	3016	3541	-	-	-		
UP-NJ9232GS-EAE00	647NMS6C3FI	CP: 400V-3ph-50Hz Fan: 230V-1ph-50Hz	2,1	NJ9232GS-M	947NM1101AA	25	-	-	1802	2287	2831	3424	4059	4725	-	-	933	
						32	-	-	1608	2043	2534	3071	3648	4254	-	-	957	
						38	-	-	-	1827	2275	2768	3297	3855	-	-	-	
						43	-	-	-	2061	2518	3010	3529	-	-	-		
UP-NTU6238GKV-EAE00	605EAS6C4FI	CP: 230V-1ph-50Hz Fan: 230V-1ph-50Hz	5,6	NTU6238GKV-A-CSR	925EA6004AF	25	-	-	2025	2510	3061	3655	4269	4882	-	-	959	
						32	-	-	1841	2274	2764	3287	3825	4356	-	-	1019	
						38	-	-	-	2051	2488	2952	3424	3886	-	-	-	
						43	-	-	-	2245	2659	3077	3482	-	-	-		
UP-NJ9238GS-EAE00	647RMS6C3FI	CP: 400V-3ph-50Hz Fan: 230V-1ph-50Hz	2,9	NJ9238GS-M	947RM1101AA	25	-	-	2258	2799	3378	3993	4644	5328	-	-	1125	
						32	-	-	1993	2476	3001	3565	4169	4809	-	-	1151	
						38	-	-	-	2192	2674	3198	3764	4368	-	-	-	
						43	-	-	-	-	2896	3431	-	-	-	-	-	
UP-NJX6250GS-EAE00	645BS5C3FI	CP: 400V-3ph-50Hz Fan: 230V-1ph-50Hz	3,4	NJX6250GS-M	945BS2101AA	25	-	-	2952	3637	4410	5257	6162	7112	-	-	1442	
						32	-	-	2651	3266	3961	4721	5535	6388	-	-	1519	
						38	-	-	-	2933	3564	4254	4991	5764	-	-	-	
						43	-	-	-	3233	3865	4541	5248	-	-	-		
UP-SE6015GK-EAE00	651ACS6C4FI	CP: 230V-1ph-50Hz Fan: 230V-1ph-50Hz	8,5	SE6015GK-C	301AC1104AA	25	2298	2822	3414	4086	4847	5704	6662	7724	1380	1478	1586	
						32	2091	2574	3116	3730	4425	5210	6091	7073	8170	1520	1633	1757
						38	1864	2319	2825	3395	4041	4771	5592	6510	7529	1673	1798	1935
						43	1646	2082	2563	3101	3709	4397	5172	6041	7023	1823	1959	2106
UP-SE6015GS-EAE00	651AOS6C3FI	CP: 400V-3ph-50Hz Fan: 230V-1ph-50Hz	3,2	SE6015GS-O	301A01101AA	25	2300	2823	3416	4089	4851	5709	6668	7731	1358	1453	1560	
						32	2092	2576	3119	3733	4429	5215	6098	7081	8149	1606	1727	
						38	1866	2321	2828	3399	4045	4776	5599	6518	7544	1644	1767	1902
						43	1648	2085	2566	3105	3714	4403	5179	6050	7029	1792	1925	2070
UP-SE6018GK-EAE00	651BCS6C4FI	CP: 230V-1ph-50Hz Fan: 230V-1ph-50Hz	10,2	SE6018GK-C	301BC1104AA	25	2742	3365	4071	4871	5776	6795	7933	9193	1929	1706	1833	
						32	2493	3069	3715	4445	5272	6206	7253	8419	1755	1887	2033	
						38	2223	2765	3368	4047	4814	5682	6658	7749	8933	2030	2240	
						43	1962	2482	3054	3696	4419	5237	6158	7191	8338	2108	2267	2440
UP-SE6018GS-EAE00	651BOS6C3FI	CP: 400V-3ph-50Hz Fan: 230V-1ph-50Hz	4,7	SE6018GS-O	301B01101AA	25	2745	3370	4077	4879	5787	6809	7951	9215	1518	1626	1747	
						32	2499	3075	3723	4456	5286	6222	7273	8444	1672	1797	1935	
						38	2230	2773	3378	4059	4830	5701	6681	7776	8940	1979	2131	
						43	1971	2492	3066	3710	4436	5257	6183	7220	8366	2006	2156	2320
UP-SE6021GS-EAE00	651COS6C3FI	CP: 400V-3ph-50Hz Fan: 230V-1ph-50Hz	4,9	SE6021GS-O	301C01101AA	25	3097	3794	4579	5465	6463	7579	8820	10189	1688	1814	1956	
						32	2807	3449	4168	4977	5888	6912	8055	9321	1865	2010	2172	
						38	2494	3100	3770	4522	5368	6321	7387	8573	2055	2217	2394	
						43	2197	2777	3413	4124	4922	5819	6827	7951	2242	2416	2607	
UP-SE6026GS-EAE00	651GOS6C3FI	CP: 400V-3ph-50Hz Fan: 230V-1ph-50Hz	6,2	SE6026GS-O	301G01101AA	25	3980	4896	5939	7128	8482	10014	11735	13653	2154	2297	2456	
						32	3641	4488	5444	6532	7770	9176	10761	12535	2363	2528	2711	
						38	3265	4064	4957	5969	7120	8427	9905	11566	2591	2776	2977	
						43	2901	3667	4516	5471	6556	7789	9185	10757	2818	3018	3234	
UP-SE6030GS-EAE00	651DOS6C3FI	CP: 400V-3ph-50Hz Fan: 230V-1ph-50Hz	6,6	SE6030GS-O	301D01101AA	25	4483	5506	6665	7981	9473	11154	13034	15119	2360	2524	2707	
						32	4087	5032	6094	7297	8662	10203	11935	13865	2594	2784	2993	
						38	3654	4544	5536	6655	7923	9357	10973	12781	2850	3060	3290	
						43	3236	4090	5033	6090	7285	8638	10164	11877	3101	3329	3577	
UP-SE6036GS-EAE00	651EOS6C3FI	CP: 400V-3ph-50Hz Fan: 230V-1ph-50Hz	7,6	SE6036GS-O	301E01101AA	25	5541	6814	8261	9910	11786	13907	16287	18935	2776	2966	3179	
						32	5068	6244	7571	9080	10796	12742	14935	17387	3052	3272	3515	
						38	4544	5653	6894	8298	9893	11703	13749	16045	3354	3599	3866	
						43	4037	5101	6280	7606	9110	10818	12751	14926	3652	3917	4205	
UP-SE6043GS-EAE00	651FOS6C3FI	CP: 400V-3ph-50Hz Fan: 230V-1ph-50Hz	8,6	SE6043GS-O	301F01101AA	25	6509	7984	9651	11539	13671	16067	18737	21691	3302	3543	3814	
						32	5920	7281	8808	10533	12483	14680	17141	19875	3643	3922	4230	
						38	5280	6563	7990	9594	11405	13450	15746	18308	4013	4322	4661	
						43	4667	5897	7252	8768	10477	12405	14575	17004	4376	4711	5076	

GENERAL DATA & PERFORMANCE

INPUT (W)						ECO DESIGN		DIMENSIONS (mm)			WEIGHT	ACOUSTICS dB (A)		CONDENSER/FAN					LIQUID RECEIVER	CONNECTION DIAMETERS			
-10°C	-5°C	0°C	+5°C	+10°C	Type	Cop/Seer	W (width)	D (depth)	H (height)	Net (kg)	Sound Press. @10m	Sound power level	Number of fan	Fan diameter (mm)	Airflow (m³/h)	Fan power (W)	Voltage supply (V)	Internal volume (dm³)	dm³	Suction (mm)	Liquid (mm)	Suction (")	Liquid (")
450	471	495	524	559	-	-	982	484	600	67	28	59	1	350	1695	67	230/1/50	0,23	1,6	10	6	3/8	1/4
457	492	527	566	610	-	-	982	484	600	67	28	59	1	350	1695	67	230/1/50	0,23	1,6	10	6	3/8	1/4
473	515	557	601	649	-	-	982	484	600	67	28	59	1	350	1695	67	230/1/50	0,23	1,6	10	6	3/8	1/4
494	539	585	631	679	-	-	982	484	600	67	28	59	1	350	1695	67	230/1/50	0,23	1,6	10	6	3/8	1/4
560	610	663	721	786	-	-	982	484	600	67	28	59	1	350	1695	67	230/1/50	0,23	1,6	10	6	3/8	1/4
585	640	700	768	844	-	-	982	484	600	67	28	59	1	350	1695	67	230/1/50	0,23	1,6	10	6	3/8	1/4
608	669	738	815	903	-	-	982	484	600	67	28	59	1	350	1695	67	230/1/50	0,23	1,6	10	6	3/8	1/4
-	697	773	859	957	-	-	982	484	600	67	28	59	1	350	1695	67	230/1/50	0,23	1,6	10	6	3/8	1/4
783	847	919	998	1080	-	-	982	484	600	69	29	60	1	350	1695	67	230/1/50	0,23	1,6	12	8	1/2	3/8
818	887	963	1043	1123	-	-	982	484	600	69	29	60	1	350	1695	67	230/1/50	0,23	1,6	12	8	1/2	3/8
848	920	998	1077	1156	-	-	982	484	600	69	29	60	1	350	1695	67	230/1/50	0,23	1,6	12	8	1/2	3/8
-	947	1025	1103	1180	-	-	982	484	600	69	29	60	1	350	1695	67	230/1/50	0,23	1,6	12	8	1/2	3/8
861	926	995	1069	1148	-	-	982	484	600	69	29	60	1	350	1695	67	230/1/50	0,23	1,6	12	8	1/2	3/8
902	976	1054	1137	1226	-	-	982	484	600	69	29	60	1	350	1695	67	230/1/50	0,23	1,6	12	8	1/2	3/8
938	1019	1105	1196	1292	-	-	982	484	600	69	29	60	1	350	1695	67	230/1/50	0,23	1,6	12	8	1/2	3/8
-	1055	1147	1244	1347	-	-	982	484	600	69	29	60	1	350	1695	67	230/1/50	0,23	1,6	12	8	1/2	3/8
896	973	1057	1150	1253	-	-	982	484	600	69	29	60	1	350	1695	67	230/1/50	0,23	1,6	12	8	1/2	3/8
945	1031	1123	1224	1335	-	-	982	484	600	69	29	60	1	350	1695	67	230/1/50	0,23	1,6	12	8	1/2	3/8
987	1080	1180	1288	1405	-	-	982	484	600	69	29	60	1	350	1695	67	230/1/50	0,23	1,6	12	8	1/2	3/8
-	1119	1225	1339	1462	-	-	982	484	600	69	29	60	1	350	1695	67	230/1/50	0,23	1,6	12	8	1/2	3/8
1020	1112	1211	1321	1445	-	-	982	484	600	69	29	60	1	350	1695	67	230/1/50	0,23	1,6	12	8	1/2	3/8
1057	1164	1279	1408	1555	-	-	982	484	600	76	30	61	1	350	1695	67	230/1/50	0,45	2,3	16	8	5/8	3/8
1088	1209	1342	1489	1655	-	-	982	484	600	76	30	61	1	350	1695	67	230/1/50	0,45	2,3	16	8	5/8	3/8
-	1248	1395	1559	1744	-	-	982	484	600	76	30	61	1	350	1695	67	230/1/50	0,45	2,3	16	8	5/8	3/8
1030	1128	1233	1351	1489	-	-	982	484	600	76	30	61	1	350	1695	67	230/1/50	0,45	2,3	16	8	5/8	3/8
1064	1176	1300	1441	1607	-	-	982	484	600	76	30	61	1	350	1695	67	230/1/50	0,45	2,3	16	8	5/8	3/8
1092	1219	1360	1523	1714	-	-	982	484	600	76	30	61	1	350	1695	67	230/1/50	0,45	2,3	16	8	5/8	3/8
-	1255	1412	1594	1808	-	-	982	484	600	76	30	61	1	350	1695	67	230/1/50	0,45	2,3	16	8	5/8	3/8
1032	1110	1195	1290	1397	-	-	982	484	600	76	30	61	1	350	1695	67	230/1/50	0,45	2,3	16	8	5/8	3/8
1103	1194	1293	1402	1522	-	-	982	484	600	76	30	61	1	350	1695	67	230/1/50	0,45	2,3	16	8	5/8	3/8
1160	1262	1373	1494	1627	-	-	982	484	600	76	30	61	1	350	1695	67	230/1/50	0,45	2,3	16	8	5/8	3/8
-	1314	1435	1567	1711	-	-	982	484	600	76	30	61	1	350	1695	67	230/1/50	0,45	2,3	16	8	5/8	3/8
1239	1356	1484	1630	1804	-	-	982	484	600	76	30	61	1	350	1695	67	230/1/50	0,45	2,3	16	8	5/8	3/8
1276	1410	1559	1732	1939	-	-	982	484	600	76	30	61	1	350	1695	67	230/1/50	0,45	2,3	16	8	5/8	3/8
1307	1456	1626	1824	2061	-	-	982	484	600	76	30	61	1	350	1695	67	230/1/50	0,45	2,3	16	8	5/8	3/8
-	-	1684	1904	-	-	-	982	484	600	76	30	61	1	350	1695	67	230/1/50	0,45	2,3	16	8	5/8	3/8
1591	1751	1923	2109	2312	-	-	1082	490	708	88	34	65	1	400	2673	120	230/1/50	0,71	3,9	16	10	5/8	3/8
1684	1860	2049	2254	2476	-	-	1082	490	708	88	34	65	1	400	2673	120	230/1/50	0,71	3,9	16	10	5/8	3/8
1763	1956	2163	2386	2627	-	-	1082	490	708	88	34	65	1	400	2673	120	230/1/50	0,71	3,9	16	10	5/8	3/8
-	2036	2260	2500	2759	-	-	1082	490	708	88	34	65	1	400	2673	120	230/1/50	0,71	3,9	16	10	5/8	3/8
1706	1838	1981	2137	2306	-	-	1082	490	708	92	33	64	1	400	2673	120	230/1/50	0,71	3,9	18	12	5/8	1/2
1893	2041	2200	2373	2559	-	-	1082	490	708	92	33	64	1	400	2673	120	230/1/50	0,71	3,9	18	12	5/8	1/2
2084	2245	2418	2605	2805	-	-	1082	490	708	92	33	64	1	400	2673	120	230/1/50	0,71	3,9	18	12	5/8	1/2
2266	2438	2622	2820	3032	-	-	1082	490	708	92	33	64	1	400	2673	120	230/1/50	0,71	3,9	18	12	5/8	1/2
1678	1807	1947	2100	2266	-	-	1082	490	708	92	33	64	1	400	2673	120	230/1/50	0,71	3,9	18	12	5/8	1/2
1861	2005	2162	2331	2514	-	-	1082	490	708	92	33	64	1	400	2673	120	230/1/50	0,71	3,9	18	12	5/8	1/2
2048	2206	2376	2558	2755	-	-	1082	490	708	92	33	64	1	400	2673	120	230/1/50	0,71	3,9	18	12	5/8	1/2
2226	2395	2575	2769	2977	-	-	1082	490	708	92	33	64	1	400	2673	120	230/1/50	0,71	3,9	18	12	5/8	1/2
1974	2129	2298	2481	2680	-	-	1082	490	708	92	33	64	1	400	2673	120	230/1/50	0,71	3,9	18	12	5/8	1/2
2192	2366	2554	2757	2975	-	-	1082	490	708	92	33	64	1	400	2673	120	230/1/50	0,71	3,9	18	12	5/8	1/2
2415	2604	2808	3027	3263	-	-	1082	490	708	92	33	64	1	400	2673	120	230/1/50	0,71	3,9	18	12	5/8	1/2
2627	2829	3046	3278	3527	-	-	1082	490	708	92	33	64	1	400	2673	120	230/1/50	0,71	3,9	18	12	5/8	1/2
1880	2026	2186	2359	2548	-	-	1082	490	708	92	33	64	1	400	2673	120	230/1/50	0,71	3,9	18	12	5/8	1/2
2086	2250	2428	2620	2827	-	-	1082	490	708	92	33	64	1	400	2673	120	230/1/50	0,71	3,9	18	12	5/8	1/2
2296	2475	2668	2875	3098	-	-	1082	490	708	92	33	64	1	400	2673	120	230/1/50	0,71	3,9	18	12	5/8	1/2
2497	2687	2892	3112	3347	-	-	1082	490	708	92	33	64	1	400	2673	120	230/1/50	0,71	3,9	18	12	5/8	1/2
2113	2287	2478	2687	2915	-	-	1082	490	708	92	33	64	1	400	2673	120	230/1/50	0,71	3,9	18	12	5/8	1/2
2349	2543	2754	2984	3234	-	-	1082	490	708	92	33	64	1	400	2673	120	230/1/50	0,71	3,9	18	12	5/8	1/2
2588	2799	3027	3275	3542	-	-	1082	490	708	92	33	64	1	400	2673	120	230/1/50	0,71	3,9	18	12	5/8	1/2
2815	3039	3282	3543	3825	-	-	1082	490	708	92	33	64	1	400	2673	120	230/1/50	0,71	3,9	18	12	5/8	1/2
2631	2821	3026	3247	3485	-	-	1082	490	708	92	33	64	1	400	2673	120	230/1/50	0,71	3,9	18	12	5/8	1/2
2909	3122	3352	3598	3861	-	-	1277	538	1005	107	36	67	1	500	5195	220	230/1/50	1,34					

R404A -MBP - RTG20

CONDENSING UNITS				COMPRESSORS		AMBIENT TEMP.	EN13125 - SUBCOOLING 0K - MIDPOINT								POWER		
CONDENSING UNITS MODELS	CONDENSING UNIT BOM	VOLTAGE SUPPLY (V)	I NOM (A)	COMPRESSOR MODELS	COMPRESSOR BOM		COOLING CAPACITY (W)								-25°C	-20°C	-15°C
							(°C)	-25°C	-20°C	-15°C	-10°C	-5°C	0°C	+5°C			
UP-NEU6212GK-EAE00	667HAS6C2FI	CP: 230V-1ph-50Hz Fan: 230V-1ph-50Hz	3,1	NEU6212GK-A-CSIR	958HA51M1AJ	25	-	664	804	968	1152	1355	1573	1804	-	416	444
						32	-	585	715	865	1033	1217	1412	1617	-	428	462
						38	-	520	641	779	931	1096	1272	1454	-	440	478
						43	-	-	580	706	845	995	1152	1315	-	-	493
UP-NEU6215GK-EAE00	669NAS6C4FI	CP: 230V-1ph-50Hz Fan: 230V-1ph-50Hz	2,8	NEU6215GK-A-CSR	959NA5190AF	25	-	888	1074	1283	1512	1758	2017	2287	-	499	547
						32	-	794	962	1152	1359	1581	1816	2059	-	521	572
						38	-	714	867	1039	1227	1429	1642	1861	-	539	593
						43	-	-	786	944	1116	1301	1495	1695	-	-	610
UP-NT6222GK-EAE00	602CAS6C4FI	CP: 230V-1ph-50Hz Fan: 230V-1ph-50Hz	4,3	NT6222GK-A-CSR	922CA0404AF	25	-	1068	1303	1566	1853	2161	2485	2822	-	749	785
						32	-	946	1157	1389	1642	1911	2194	2490	-	764	812
						38	-	-	1026	1233	1456	1693	1943	2203	-	-	840
						43	-	-	-	1103	1301	1512	1733	1964	-	-	-
UP-NT6224GK-EAE00	622RAS6C4FI	CP: 230V-1ph-50Hz Fan: 230V-1ph-50Hz	4,5	NT6224GK-A-CSR	922RA0404AF	25	-	1284	1599	1950	2334	2743	3174	3620	-	797	857
						32	-	1151	1426	1736	2076	2441	2825	3226	-	823	891
						38	-	1034	1278	1556	1861	2189	2537	2899	-	847	923
						43	-	-	1154	1406	1684	1984	2302	2634	-	-	952
UP-NT6226GK-EAE00	603BAS6C4FI	CP: 230V-1ph-50Hz Fan: 230V-1ph-50Hz	4,8	NT6226GK-A-CSR	923BA0204AF	25	-	1437	1756	2122	2527	2965	3428	3908	-	813	886
						32	-	1266	1556	1887	2253	2646	3059	3486	-	853	933
						38	-	1129	1394	1694	2024	2377	2747	3128	-	884	972
						43	-	-	-	1539	1838	2157	2490	2831	-	-	-
UP-NJ9232GK-EAE00	643NAS6C4FI	CP: 230V-1ph-50Hz Fan: 230V-1ph-50Hz	5,7	NJ9232GK-A-CSR	943NA1104AF	25	-	1499	1893	2330	2802	3297	3807	4320	-	1011	1107
						32	-	1283	1640	2036	2460	2903	3356	3809	-	1024	1125
						38	-	1101	1423	1780	2161	2557	2959	3359	-	1031	1136
						43	-	-	-	1564	1907	2262	2621	2976	-	-	-
UP-NJ9232GS-EAE00	647NMS6C3FI	CP: 400V-3ph-50Hz Fan: 230V-1ph-50Hz	2,1	NJ9232GS-M	947NM1101AA	25	-	1580	1954	2403	2910	3459	4033	4614	-	913	1016
						32	-	1395	1739	2145	2598	3083	3583	4083	-	925	1036
						38	-	1235	1552	1920	2324	2752	3187	3617	-	935	1053
						43	-	-	-	1727	2090	2469	2850	3221	-	-	-
UP-NTU6238GKV-EAE00	605EAS6C4FI	CP: 230V-1ph-50Hz Fan: 230V-1ph-50Hz	5,6	NTU6238GKV-A-CSR	925EA6004AF	25	-	1850	2196	2629	3121	3648	4184	4707	-	954	1030
						32	-	1657	1969	2355	2791	3251	3713	4157	-	-	1096
						38	-	-	1770	2114	2499	2901	3299	3675	-	-	1147
						43	-	-	-	1908	2249	2602	2946	3264	-	-	-
UP-NJ9238GS-EAE00	647RMS6C3FI	CP: 400V-3ph-50Hz Fan: 230V-1ph-50Hz	2,9	NJ9238GS-M	947RM1101AA	25	-	1979	2442	2946	3480	4034	4599	5163	-	1110	1229
						32	-	1744	2157	2606	3080	3571	4068	4563	-	1122	1250
						38	-	-	1910	2308	2730	3164	3603	4037	-	-	1269
						43	-	-	-	2056	2431	2818	3207	-	-	-	-
UP-NJX6250GS-EAE00	645BSS6C3FI	CP: 400V-3ph-50Hz Fan: 230V-1ph-50Hz	3,4	NJX6250GS-M	945BS2101AA	25	-	2633	3202	3831	4511	5233	5987	6765	-	1405	1552
						32	-	2359	2865	3426	4032	4675	5346	6039	-	1487	1649
						38	-	2129	2580	3080	3621	4194	4793	5410	-	1541	1721
						43	-	-	-	2788	3273	3787	4324	4878	-	-	-
UP-SE6015GK-EAE00	6S1ACS6C4FI	CP: 230V-1ph-50Hz Fan: 230V-1ph-50Hz	8,5	SE6015GK-C	301AC1104AA	25	2436	2946	3525	4175	4898	5693	6555	7481	1437	1533	1638
						32	2238	2704	3226	3806	4447	5149	5921	6732	1605	1713	1829
						38	-	2480	2950	3468	4037	4660	5336	6064	-	1888	2014
						43	-	-	2700	3165	3674	4229	4833	5485	-	-	2183
UP-SE6015GS-EAE00	6S1AOS6C3FI	CP: 400V-3ph-50Hz Fan: 230V-1ph-50Hz	3,2	SE6015GS-O	301A01101AA	25	2437	2947	3527	4178	4902	5697	6561	7489	1413	1508	1611
						32	2240	2706	3228	3809	4451	5155	5919	6741	1578	1684	1798
						38	-	2483	2953	3472	4042	4666	5344	6074	-	1856	1979
						43	-	-	2704	3170	3680	4237	4842	5496	-	-	2145
UP-SE6018GK-EAE00	6S1BSC6C4FI	CP: 230V-1ph-50Hz Fan: 230V-1ph-50Hz	10,2	SE6018GK-C	301BC1104AA	25	2904	3511	4199	4972	5830	6771	7792	8887	1659	1773	1896
						32	2668	3223	3843	4532	5292	6124	7026	7995	1855	1983	2119
						38	-	2956	3514	4129	4804	5541	6340	7201	-	2187	2335
						43	-	-	3215	3767	4370	5028	5741	6512	-	-	2533
UP-SE6018GS-EAE00	6S1BOS6C3FI	CP: 400V-3ph-50Hz Fan: 230V-1ph-50Hz	4,7	SE6018GS-O	301B01101AA	25	2908	3516	4207	4982	5843	6788	7812	8912	1581	1689	1806
						32	2673	3229	3851	4543	5307	6143	7050	8025	1767	1888	2017
						38	-	2964	3524	4142	4821	5562	6367	7234	-	2081	2220
						43	-	-	3228	3783	4390	5053	5772	6549	-	-	2407
UP-SE6021GK-EAE00	6S1CCS6C4FI	CP: 230V-1ph-50Hz Fan: 230V-1ph-50Hz	11,6	SE6021GK-C	301CC1104AA	25	3271	3947	4708	5557	6492	7508	8602	9765	1862	1996	2142
						32	3001	3617	4300	5053	5878	6772	7734	8758	2084	2234	2394
						38	-	3308	3921	4590	5318	6107	6955	7860	-	2465	2638
						43	-	-	3576	4174	4821	5521	6274	7080	-	-	2862
UP-SE6021GS-EAE00	6S1COS6C3FI	CP: 400V-3ph-50Hz Fan: 230V-1ph-50Hz	4,9	SE6021GS-O	301C01101AA	25	3277	3954	4718	5570	6509	7531	8630	9801	1766	1892	2030
						32	3008	3626	4312	5069	5898	6799	7767	8799	1975	2116	2267
						38	-	3319	3935	4609	5343	6137	6993	7906	-	2333	2497
						43	-	-	3593	4196	4849	5556	6317	7132	-	-	2707
UP-SE6026GS-EAE00	6S1GOS6C3FI	CP: 400V-3ph-50Hz Fan: 230V-1ph-50Hz	6,2	SE6026GS-O	301G01101AA	25	4224	5118	6139	7295	8588	10019	11585	13281	2232	2373	2527
						32	3889	4709	5632	6668	7821	9094	10488	11998	2486	2646	2816
						38	3581	4333	5170	6099	7129	8265	9508	10858	2734	2911	3096
						43	-	3990	4752	5592	6518	7538	8656	9872	-	3155	3353
UP-SE6030GS-EAE00	6S1DOS6C3FI	CP: 400V-3ph-50Hz Fan: 230V-1ph-50Hz	6,6	SE6030GS-O	301D01101AA	25	4751	5747	6880	8154	9571	11129	12822	14643	2454	2617	2794
						32	4371	5282	6304	7442	8702	10084	11585	13202	2737	2920	3115
						38	4017	4853	5776	6795	7916	9144	10479	11920	3011	3214	3425
						43	-	-	5297	6215	7221	8320	9516	10810	-	-	3710
UP-SE6036GS-EAE00	6S1EOS6C3FI	CP: 400V-3ph-50Hz Fan: 230V-1ph-50Hz	7,6	SE6036GS-O	301E01101AA	25	5876	7117	8533	10132	11920	13895	16051	18382	2882	3071	3277
						32	5411	6548	7828	9261	10854	12611	14529	16605	3218	3431	3658
						38	4981	6026	7184	8471	9894	11460	13171	15026	3544	3781	4027
						43	-	-	6603	7765	9045	10452	11989	13660	-	-	4365
UP-SE6043GS-EAE00	6S1FOS6C3FI	CP: 400V-3ph-50Hz Fan: 230V-1ph-50Hz	8,6	SE6043GS-O	301F01101AA	25	6889	8323	9948	11767	13781	15983	18365	20912	3447	3688	3952
						32	6332	7643	9105	10728	12513	14462	16568	18823	3855	4127	4416
						38	-	7012	8330	9778	11364	13091	14959	16963	-	4550	4864
						43	-	-	7627	8928	10346	11888	13557	15352	-	-	5274

GENERAL DATA & PERFORMANCE

INPUT (W)					ECO DESIGN		DIMENSIONS (mm)			WEIGHT	ACOUSTICS dB (A)		CONDENSER/FAN						LIQUID RECEIVER		CONNECTION DIAMETERS			
-10°C	-5°C	0°C	+5°C	+10°C	Type	Cop/Seer	W (width)	D (depth)	H (height)	Net (kg)	Sound Press. @10m	Sound power level	Number of fan	Fan diameter (mm)	Airflow (m³/h)	Fan power (W)	Voltage supply (V)	Internal volume (dm³)	dm³	Suction (mm)	Liquid (mm)	Suction (")	Liquid (")	
474	504	535	567	601	COP	1,74	982	484	600	67	28	59	1	350	1695	67	230/1/50	0,23	1,6	10	6	3/8	1/4	
496	532	568	606	644																				
517	557	598	640	683																				
536	579	624	669	715																				
599	654	714	778	849																				
627	687	752	823	900	COP	1,84	982	484	600	67	28	59	1	350	1695	67	230/1/50	0,23	1,6	10	6	3/8	1/4	
652	717	788	865	949																				
674	743	819	902	994																				
835	898	971	1049	1130																				
872	941	1016	1095	1172																				
905	977	1053	1129	1202	COP	1,6	982	484	600	69	29	60	1	350	1695	67	230/1/50	0,23	1,6	12	8	1/2	3/8	
934	1007	1081	1154	1222																				
921	989	1062	1138	1217																				
964	1041	1121	1204	1289																				
1003	1086	1173	1262	1353																				
1037	1126	1217	1311	1407	COP	1,8	982	484	600	69	29	60	1	350	1523	67	230/1/50	0,45	2,3	12	8	1/2	3/8	
964	1046	1134	1228	1328																				
1017	1105	1198	1297	1402																				
1062	1156	1256	1360	1471																				
1100	1200	1306	1416	1532																				
1205	1307	1414	1528	1653	COP	1,66	982	484	600	76	30	61	1	350	1523	67	230/1/50	0,45	2,3	16	8	5/8	3/8	
1230	1340	1457	1584	1721																				
1247	1365	1492	1628	1777																				
1259	1384	1518	1663	1821																				
1117	1220	1328	1447	1579																				
1148	1265	1391	1528	1680	COP	1,87	982	484	600	76	30	61	1	350	1523	67	230/1/50	0,45	2,3	16	8	5/8	8	
1176	1305	1445	1598	1768																				
1199	1339	1491	1658	1842																				
1107	1188	1272	1363	1460																				
1183	1274	1370	1473	1582																				
1244	1346	1454	1568	1689	COP	1,99	982	484	600	76	30	61	1	350	1523	67	230/1/50	0,45	2,3	16	8	5/8	3/8	
1293	1405	1523	1648	1779																				
1348	1471	1602	1746	1908																				
1382	1520	1669	1834	2018																				
1411	1563	1728	1910	2113																				
1436	1599	1777	1974	-	COP	1,89	982	484	600	76	30	61	1	350	1523	67	230/1/50	0,45	2,3	16	8	5/8	3/8	
1710	1880	2056	2238	2421																				
1819	1997	2181	2367	2554																				
1907	2098	2292	2487	2680																				
1978	2183	2389	2594	2795																				
1752	1872	1998	2129	2264	COP	1,95	1082	490	708	92	33	64	1	400	2673	120	230/1/50	0,71	3,9	18	12	5/8	1/2	
1951	2079	2212	2348	2486																				
2144	2279	2417	2557	2698																				
2321	2462	2605	2748	2891																				
1722	1840	1964	2093	2225																				COP
1918	2043	2173	2307	2442																				
2107	2239	2375	2512	2650																				
2281	2419	2558	2699	2840																				
2030	2171	2320	2475	2634	COP	2	1082	490	708	92	33	64	1	400	2545	120	230/1/50	0,91	3,9	18	12	3/4	1/2	
2263	2413	2569	2730	2893																				
2488	2647	2809	2974	3140																				
2695	2860	3028	3197	3365																				
1932	2066	2207	2354	2505																				COP
2153	2295	2443	2595	2749																				
2366	2516	2669	2826	2983																				
2561	2717	2876	3036	3195																				
2299	2467	2644	2828	3017	SEPR	2,94	1082	490	708	92	33	64	1	400	2545	120	230/1/50	0,91	3,9	18	12	3/4	1/2	
2564	2742	2927	3117	3311																				
2819	3006	3198	3393	3590																				
3052	3247	3444	3643	3843																				
2178	2336	2503	2677	2855																				SEPR
2427	2595	2769	2949	3131																				
2667	2843	3024	3208	3394																				
2886	3069	3255	3443	3631																				
2693	2869	3053	3244	3439	SEPR	3,27	1277	538	1005	107	36	67	1	500	5195	220	230/1/50	1,34	6	22	16	7/8	5/8	
2995	3181	3374	3572	3773																				
3287	3484	3684	3888	4093																				
3555	3761	3969	4178	4386																				
2985	3188	3402	3624	3852																				SEPR
3321	3536	3760	3990	4223																				
3645	3872	4104	4341	4579																				
3942	4179	4419	4660	4902																				
3498	3733	3980	4236	4498	SEPR	3,51	1277	538	1005	107	36	67	1	500	4739	220	230/1/50	2,23	6	22	16	7/8	5/8	
3896	4146	4404	4669	4938																				
4282	4545	4813	5086	5361																				
4635	4910	5188	5467	5746																				
4236	4538	4856	5187	5528																				SEPR
4721	5042	5374	5717	6065																				
5189	5526	5871	6223	6578																				
5617	5968	6324	6682	7042																				

Note: Subject to modification without prior notification.

R404A -MBP - SH10K

CONDENSING UNITS				COMPRESSORS		AMBIENT TEMP. (°C)	EN13125 - SUBCOOLING OK - MIDPOINT										POWER		
CONDENSING UNITS MODELS	CONDENSING UNIT BOM	VOLTAGE SUPPLY (V)	I NOM (A)	COMPRESSOR MODELS	COMPRESSOR BOM		COOLING CAPACITY (W)										-25°C	-20°C	-15°C
							-25°C	-20°C	-15°C	-10°C	-5°C	0°C	+5°C	+10°C					
UP-NEU6212GK-EAE00	667HAS6C2FI	CP: 230V-1ph-50Hz Fan: 230V-1ph-50Hz	3,1	NEU6212GK-A-CSIR	958HA51M1AJ	25	-	619	761	928	1119	1330	1561	1807	-	413	441	-	-
						32	-	543	674	826	998	1189	1397	1619	-	422	456	-	-
						38	-	475	594	733	890	1064	1252	1453	-	433	471	-	-
						43	-	-	528	655	799	958	1130	1314	-	-	485	-	-
UP-NEU6215GK-EAE00	669NAS6C4FI	CP: 230V-1ph-50Hz Fan: 230V-1ph-50Hz	2,8	NEU6215GK-A-CSR	959NA5190AF	25	-	829	1018	1232	1468	1725	2000	2291	-	493	541	-	-
						32	-	736	904	1096	1309	1542	1792	2058	-	514	564	-	-
						38	-	649	800	974	1168	1382	1613	1859	-	530	584	-	-
						43	-	-	713	872	1052	1250	1465	1695	-	-	600	-	-
UP-NT6222GK-EAE00	602CAS6C4FI	CP: 230V-1ph-50Hz Fan: 230V-1ph-50Hz	4,3	NT6222GK-A-CSR	922CA0404AF	25	-	1001	1235	1501	1795	2115	2458	2822	-	741	775	-	-
						32	-	872	1081	1316	1577	1860	2165	2489	-	753	800	-	-
						38	-	-	944	1154	1386	1638	1910	2201	-	-	825	-	-
						43	-	-	-	1019	1226	1453	1698	1961	-	-	-	-	-
UP-NT6224GK-EAE00	622RAS6C4FI	CP: 230V-1ph-50Hz Fan: 230V-1ph-50Hz	4,5	NT6224GK-A-CSR	922RA0404AF	25	-	1194	1513	1872	2267	2694	3148	3628	-	789	848	-	-
						32	-	1069	1342	1654	2002	2382	2791	3226	-	811	879	-	-
						38	-	942	1182	1459	1773	2118	2493	2894	-	834	909	-	-
						43	-	-	1046	1299	1587	1907	2257	2633	-	-	935	-	-
UP-NT6226GK-EAE00	603BAS6C4FI	CP: 230V-1ph-50Hz Fan: 230V-1ph-50Hz	4,8	NT6226GK-A-CSR	923BA0204AF	25	-	1342	1665	2038	2454	2910	3398	3913	-	804	876	-	-
						32	-	1174	1462	1796	2169	2579	3019	3484	-	840	919	-	-
						38	-	1026	1286	1587	1926	2298	2699	3124	-	870	955	-	-
						43	-	-	1145	1421	1731	2073	2442	2833	-	-	-	-	-
UP-NJ9232GK-EAE00	643NAS6C4FI	CP: 230V-1ph-50Hz Fan: 230V-1ph-50Hz	5,7	NJ9232GK-A-CSR	943NA1104AF	25	-	1405	1797	2238	2719	3232	3769	4323	-	1001	1095	-	-
						32	-	1190	1540	1935	2367	2828	3310	3806	-	1010	1110	-	-
						38	-	1002	1315	1669	2058	2474	2909	3356	-	1015	1120	-	-
						43	-	-	-	1449	1801	2178	2573	2979	-	-	-	-	-
UP-NJ9232GS-EAE00	647NMS6C3FI	CP: 400V-3ph-50Hz Fan: 230V-1ph-50Hz	2,1	NJ9232GS-M	947NM1101AA	25	-	1478	1853	2306	2822	3390	3992	4616	-	904	1005	-	-
						32	-	1292	1631	2036	2497	3000	3532	4080	-	912	1022	-	-
						38	-	1123	1431	1796	2210	2659	3132	3616	-	920	1037	-	-
						43	-	-	-	1595	1970	2374	2798	3229	-	-	-	-	-
UP-NTU6238GKV-EAE00	605EAS6C4FI	CP: 230V-1ph-50Hz Fan: 230V-1ph-50Hz	5,6	NTU6238GKV-A-CSR	925EA6004AF	25	-	1731	2082	2521	3026	3573	4141	4711	-	941	1015	-	-
						32	-	1530	1842	2233	2680	3163	3661	4156	-	992	1077	-	-
						38	-	-	1627	1976	2375	2803	3242	3675	-	-	1126	-	-
						43	-	-	-	1761	2119	2502	2892	3273	-	-	-	-	-
UP-NJ9238GS-EAE00	647RMS6C3FI	CP: 400V-3ph-50Hz Fan: 230V-1ph-50Hz	2,9	NJ9238GS-M	947RM1101AA	25	-	1853	2316	2824	3370	3946	4546	5161	-	1096	1214	-	-
						32	-	1611	2017	2467	2953	3469	4006	4557	-	1105	1232	-	-
						38	-	-	1755	2155	2591	3055	3541	4039	-	-	1248	-	-
						43	-	-	-	1897	2291	2713	3155	-	-	-	-	-	-
UP-NJX6250GS-EAE00	645BSS6C3FI	CP: 400V-3ph-50Hz Fan: 230V-1ph-50Hz	3,4	NJX6250GS-M	945BS2101AA	25	-	2473	3042	3678	4375	5127	5928	6770	-	1385	1530	-	-
						32	-	2178	2682	3250	3875	4553	5276	6039	-	1464	1623	-	-
						38	-	1931	2378	2886	3448	4059	4713	5406	-	1515	1691	-	-
						43	-	-	-	2580	3087	3642	4238	4871	-	-	-	-	-
UP-SE6015GK-EAE00	651ACS6C4FI	CP: 230V-1ph-50Hz Fan: 230V-1ph-50Hz	8,5	SE6015GK-C	301AC1104AA	25	2235	2751	3338	4003	4749	5578	6491	7485	1412	1507	1611	-	-
						32	2035	2495	3016	3605	4268	5008	5827	6724	1571	1677	1792	-	-
						38	1824	2239	2707	3235	3831	4498	5240	6057	1726	1842	1966	-	-
						43	1629	2009	2434	2914	3455	4063	4743	5495	1867	1993	2126	-	-
UP-SE6015GS-EAE00	651AOS6C3FI	CP: 400V-3ph-50Hz Fan: 230V-1ph-50Hz	3,2	SE6015GS-O	301A01101AA	25	2236	2752	3340	4006	4753	5583	6497	7493	1389	1482	1584	-	-
						32	2036	2497	3019	3609	4273	5014	5834	6733	1545	1649	1761	-	-
						38	1826	2242	2710	3240	3836	4505	5248	6066	1697	1811	1933	-	-
						43	1632	2012	2438	2919	3461	4071	4751	5505	1835	1959	2089	-	-
UP-SE6018GK-EAE00	651BCS6C4FI	CP: 230V-1ph-50Hz Fan: 230V-1ph-50Hz	10,2	SE6018GK-C	301BC1104AA	25	2665	3278	3977	4766	5652	6634	7715	8891	1630	1742	1864	-	-
						32	2425	2972	3592	4292	5078	5955	6924	7985	1816	1940	2075	-	-
						38	2173	2667	3223	3851	4557	5348	6226	7192	1996	2133	2279	-	-
						43	1941	2393	2898	3468	4110	4831	5635	6524	2161	2309	2465	-	-
UP-SE6018GS-EAE00	651BOS6C3FI	CP: 400V-3ph-50Hz Fan: 230V-1ph-50Hz	4,7	SE6018GS-O	301B01101AA	25	2668	3284	3984	4776	5665	6651	7736	8917	1554	1659	1775	-	-
						32	2430	2979	3601	4304	5094	5975	6948	8015	1729	1847	1975	-	-
						38	2180	2676	3234	3865	4575	5370	6253	7225	1900	2030	2168	-	-
						43	1949	2403	2911	3483	4129	4855	5664	6560	2056	2196	2343	-	-
UP-SE6021GK-EAE00	651CCS6C4FI	CP: 230V-1ph-50Hz Fan: 230V-1ph-50Hz	11,6	SE6021GK-C	301CC1104AA	25	3004	3685	4456	5321	6285	7348	8508	9763	1827	1957	2101	-	-
						32	2722	3328	4009	4775	5629	6575	7615	8745	2036	2182	2340	-	-
						38	2431	2977	3587	4271	5037	5889	6829	7858	2239	2399	2570	-	-
						43	2165	2663	3217	3837	4532	5307	6167	7113	2424	2597	2779	-	-
UP-SE6021GS-EAE00	651COS6C3FI	CP: 400V-3ph-50Hz Fan: 230V-1ph-50Hz	4,9	SE6021GS-O	301CO1101AA	25	3009	3693	4466	5335	6303	7371	8537	9799	1733	1856	1992	-	-
						32	2730	3338	4023	4792	5651	6603	7648	8786	1930	2068	2216	-	-
						38	2441	2989	3603	4291	5062	5920	6866	7903	2121	2272	2433	-	-
						43	2176	2677	3234	3859	4559	5340	6207	7161	2296	2458	2629	-	-
UP-SE6026GS-EAE00	651GOS6C3FI	CP: 400V-3ph-50Hz Fan: 230V-1ph-50Hz	6,2	SE6026GS-O	301GO1101AA	25	3870	4776	5815	6998	8334	9828	11482	13296	2198	2337	2490	-	-
						32	3543	4354	5279	6332	7524	8861	10349	11990	2439	2595	2763	-	-
						38	3191	3926	4760	5707	6780	7990	9342	10841	2674	2847	3029	-	-
						43	2863	3538	4297	5160	6139	7245	8487	9870	2890	3077	3272	-	-
UP-SE6030GS-EAE00	651DOS6C3FI	CP: 400V-3ph-50Hz Fan: 230V-1ph-50Hz	6,6	SE6030GS-O	301DO1101AA	25	4358	5367	6517	7819	9282	10909	12700	14653	2413	2573	2749	-	-
						32	3976	4877	5899	7056	8359	9813	11422	13187	2681	2860	3052	-	-
						38	3572	4387	5306	6346	7518	8831	10292	11903	2941	3137	3346	-	-
						43	3199	3945	4782	5727	6795	7995	9336	10821	3179	3391	3614	-	-
UP-SE6036GS-EAE00	651EOS6C3FI	CP: 400V-3ph-50Hz Fan: 230V-1ph-50Hz	7,6	SE6036GS-O	301EO1101AA	25	5385	6643	8083	9720	11566	13627	15906	18401	2836	3022	3226	-	-
						32	4928	6054	7336	8793	10439	12285	14335	16592	3154	3363	3587	-	-
						38	4438	5458	6613	7924	9407	11077	12940	15002	3465	3694	3937	-	-
						43	3982	4918	5971	7165	8518	10045	11757	13660	3749	3997	4257	-	-
UP-SE6043GS-EAE00	651FOS6C3FI	CP: 400V-3ph-50Hz Fan: 230V-1ph-50Hz	8,6	SE6043GS-O	301FO1101AA	25	6323	7774	9421	11278	13356	15656	18179	20918	3385	3622	3882	-	-
						32	5755	7048	8510	10157	12005	14059	16324	18798	3771	4035	4320	-	-
						38	5160	6328	7641	9119	10780	12635	14689	16945	4146	4435	4743	-	-
						43	4613	5682	6876	8219	9731	11424	13308	15388	4488	4800	5129	-	

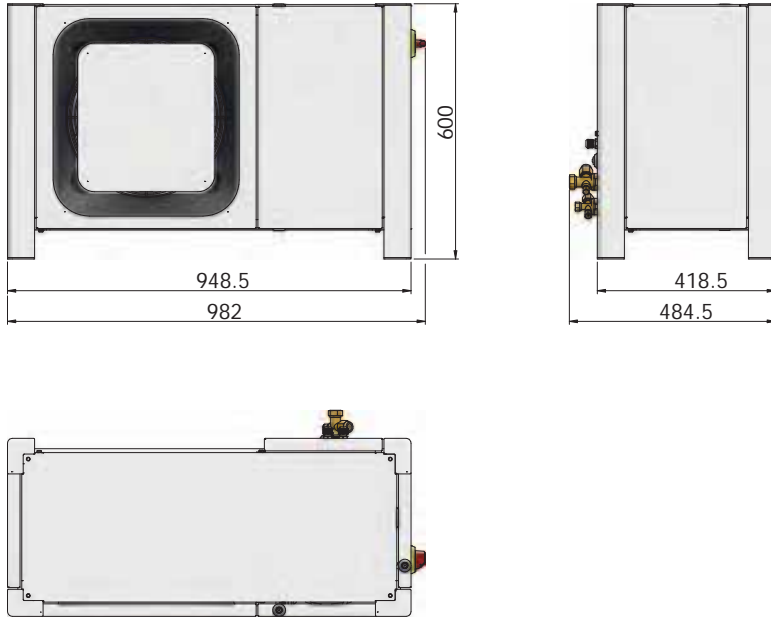
GENERAL DATA & PERFORMANCE

INPUT (W)					ECO DESIGN		DIMENSIONS (mm)			WEIGHT	ACOUSTICS dB (A)		CONDENSER/FAN					LIQUID RECEIVER	CONNECTION DIAMETERS					
-10°C	-5°C	0°C	+5°C	+10°C	Type	Cop/Seer	W (width)	D (depth)	H (height)	Net (kg)	Sound Press. @10m	Sound power level	Number of fan	Fan diameter (mm)	Airflow (m³/h)	Fan power (W)	Voltage supply (V)	Internal volume (dm³)	dm³	Suction (mm)	Liquid (mm)	Suction (")	Liquid (")	
470	500	532	565	601																				
491	526	564	603	644	-	-	982	484	600	67	28	59	1	350	1695	67	230/1/50	0,23	1,6	10	6	3/8	1/4	
510	551	593	637	683																				
528	572	618	665	715																				
593	648	709	775	849																				
619	679	746	819	900	-	-	982	484	600	67	28	59	1	350	1695	67	230/1/50	0,23	1,6	10	6	3/8	1/4	
643	708	780	860	949																				
663	733	810	896	993																				
825	888	963	1044	1130																				
859	929	1007	1089	1171	-	-	982	484	600	69	29	60	1	350	1695	67	230/1/50	0,23	1,6	12	8	1/2	3/8	
890	963	1042	1122	1201																				
917	991	1069	1147	1221																				
912	980	1054	1133	1217																				
951	1029	1111	1198	1290	-	-	982	484	600	69	29	60	1	350	1523	67	230/1/50	0,45	2,3	12	8	1/2	3/8	
988	1072	1161	1255	1353																				
1020	1110	1204	1303	1406																				
953	1036	1125	1222	1328																				
1002	1091	1187	1290	1403	-	-	982	484	600	69	29	60	1	350	1523	67	230/1/50	0,45	2,3	12	8	1/2	3/8	
1045	1141	1243	1352	1471																				
1081	1183	1291	1406	1530																				
1192	1293	1402	1521	1653																				
1214	1325	1445	1576	1722	-	-	982	484	600	76	30	61	1	350	1523	67	230/1/50	0,45	2,3	16	8	5/8	3/8	
1230	1349	1478	1620	1776																				
1241	1366	1502	1652	1818																				
1105	1207	1317	1439	1579																				
1133	1250	1377	1519	1681	-	-	982	484	600	76	30	61	1	350	1523	67	230/1/50	0,45	2,3	16	8	5/8	8	
1159	1288	1430	1588	1767																				
1180	1319	1473	1645	1839																				
1091	1172	1259	1355	1461																				
1164	1256	1355	1464	1583	-	-	982	484	600	76	30	61	1	350	1523	67	230/1/50	0,45	2,3	16	8	5/8	3/8	
1223	1326	1437	1557	1688																				
1269	1382	1502	1633	1774																				
1331	1454	1587	1736	1908																				
1362	1501	1652	1823	2017	-	-	982	484	600	76	30	61	1	350	1523	67	230/1/50	0,45	2,3	16	8	5/8	3/8	
1389	1541	1708	1896	2110																				
1411	1574	1754	1956	2187																				
1689	1859	2039	2228	2422																				
1793	1972	2160	2354	2554	-	-	1082	490	708	88	34	65	1	400	2673	120	230/1/50	0,71	3,9	16	10	5/8	3/8	
1876	2068	2267	2471	2679																				
1942	2148	2360	2575	2793																				
1724	1846	1977	2117	2265																				
1914	2045	2184	2331	2486	-	-	1082	490	708	92	33	64	1	400	2673	120	230/1/50	0,71	3,9	18	12	5/8	1/2	
2098	2236	2382	2536	2697																				
2265	2410	2563	2722	2887																				
1695	1815	1944	2081	2226																				
1882	2010	2146	2291	2443	-	-	1082	490	708	92	33	64	1	400	2673	120	230/1/50	0,71	3,9	18	12	3/4	1/2	
2061	2197	2341	2491	2649																				
2225	2368	2517	2674	2836																				
1997	2141	2296	2460	2635																				
2219	2373	2537	2710	2893	-	-	1082	490	708	92	33	64	1	400	2545	120	230/1/50	0,91	3,9	18	12	3/4	1/2	
2433	2596	2768	2949	3139																				
2628	2799	2978	3166	3361																				
1901	2038	2184	2340	2506																				
2111	2257	2412	2577	2749	-	-	1082	490	708	92	33	64	1	400	2545	120	230/1/50	0,91	3,9	18	12	3/4	1/2	
2314	2468	2631	2802	2982																				
2498	2660	2829	3007	3191																				
2259	2429	2613	2809	3018																				
2510	2692	2886	3092	3311	-	-	1082	490	708	92	33	64	1	400	2545	120	230/1/50	0,91	3,9	18	12	3/4	1/2	
2751	2943	3147	3362	3587																				
2970	3171	3383	3605	3837																				
2140	2301	2474	2659	2856																				
2376	2548	2731	2925	3131	-	-	1082	490	708	92	33	64	1	400	2545	120	230/1/50	0,91	3,9	18	12	3/4	1/2	
2603	2784	2976	3178	3391																				
2809	2999	3198	3407	3625																				
2656	2834	3025	3227	3440																				
2943	3134	3337	3550	3774	-	-	1277	538	1005	107	36	67	1	500	5195	220	230/1/50	1,34	6	22	16	7/8	5/8	
3222	3424	3637	3860	4093																				
3476	3689	3911	4142	4382																				
2940	3146	3367	3603	3853																				
3259	3480	3715	3963	4224	-	-	1277	538	1005	107	36	67	1	500	5195	220	230/1/50	1,34	6	22	16	7/8	5/8	
3567	3801	4047	4306	4577																				
3848	4093	4349	4617	4896																				
3448	3686	3942	4213	4500																				
3827	4082	4353	4639	4940	-	-	1277	538	1005	107	36	67	1	500	4739	220	230/1/50	2,23	6	22	16	7/8	5/8	
4194	4465	4750	5048	5360																				
4529	4813	5110	5419	5741																				
4165	4473	4803	5155	5530																				
4627	4955	5304	5675	6066																				
5071	5417	5783	6169	6574	-	-	1277	538	1005	107	36	67	1	500	4739	220	230/1/50	2,23	6	22	16	7/8	5/8	
5474	5837	6218	6616	7032																				

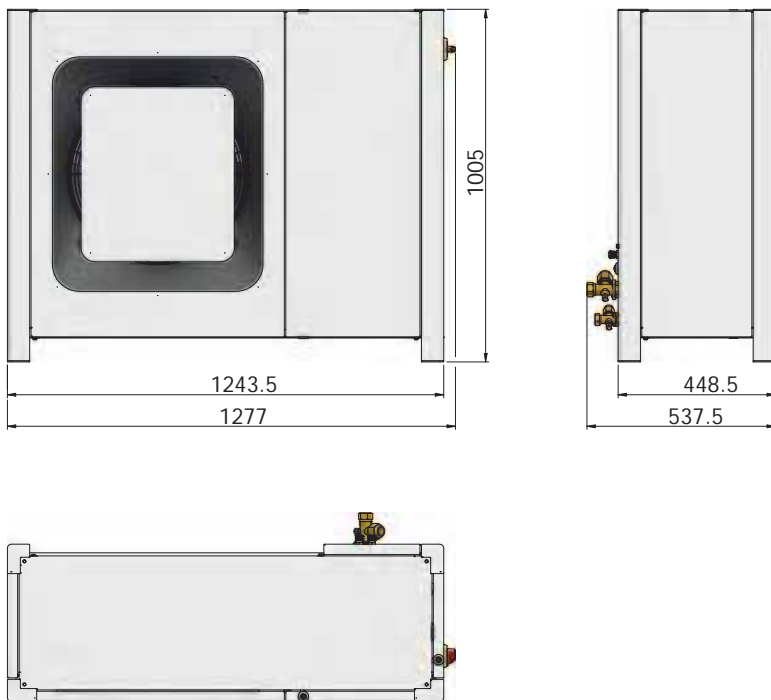
Note: Subject to modification without prior notification.

EXTERNAL VIEWS

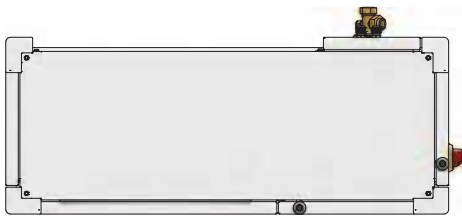
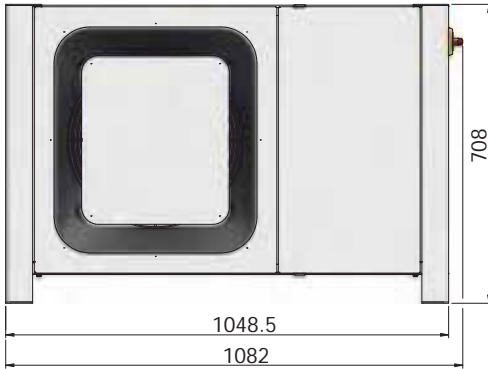
MODEL HOUSING 1



MODEL HOUSING 3



MODEL HOUSING 2

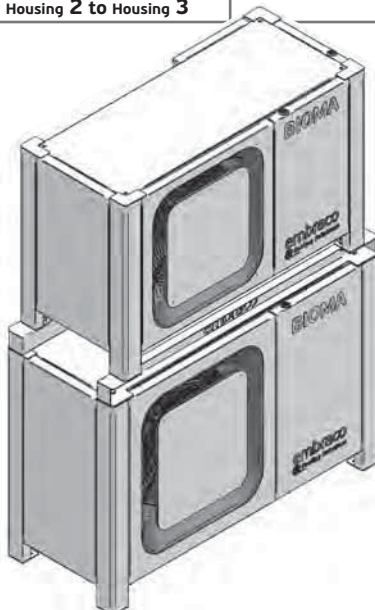


STACKABILITY OPTIONS

DIFFERENT HOUSING SIZES

Different housing sizes with complementary bracket

CONFIGURATIONS	ACCESSORY CODE
Housing 1 to Housing 2	1996761
Housing 1 to Housing 3	1996762
Housing 2 to Housing 3	



SAME HOUSING SIZES

