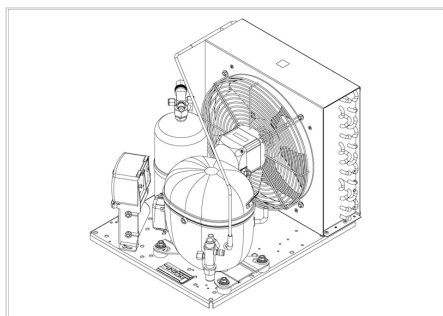


MODEL

**UNT6226GK**

embraco



## APPROVALS

CE

**ENGINEERING CODE**  
603BA5604AA

**APPROVED REFRIGERANT**  
R449A

**POWER SUPPLY**  
220 - 240V 50Hz ~

**STANDARD CONDITIONS**  
EN13215\_SH10

**APPLICATION**  
M/HBP

**COOLING CAPACITY**  
1772 W

**EFFICIENCY**  
1.87 W/W

DATA

## General Data

Weight	35.7 Kg
Receiver	2.3 L
Height	372 mm
Length	485 mm
Width	405 mm
Power Supply	220 - 240 V 50 Hz

## Electrical Data

Motor Type	CSR
Locked Rotor Amperage (LRA)	38 A
Max Current	7.27 A

## Spare Parts

Valve Suction	SOLDER 1/2"	2110050
Valve Discharge	SOLDER 3/8"	2110049
Condenser	3R14T	2451221
Compressor	NT6226GK	923BA08..AC
Electrical Kit	ELKOM NT6226GK	923BA0204A
Fan Kit	34W 300/28°/5B	1996585

## Noise Data

Sound Power Level	69.63 dB (A)	-	-
Sound Pressure Level	at 1 m	at 5 m	at 10 m
	61.62824133 dB (A)	47.64884125 dB (A)	41.62824133 dB (A)

## Fan Motor

Number	1
Shaft Power	34 W
Air Flow	700 m <sup>3</sup> /h
Blade diameter	300 mm

## PERFORMANCE

## Rated Points

Ambient Temperature	Cooling Capacity	Power Consumption	Efficiency
32.00°C	1772 W	949 W	1.87 W/W

Test Condition: EN13215\_SH10, Return Gas 0 °C, Subcooling 3K , Evaporation -10.00°C, Condensing 0 °C, Ambient 32.00°C

## Performance Curve Data

Ambient Temperature 25°C

Evaporating Temperature °C	Cooling Capacity W	Power Consumption W	Efficiency W/W
-20	937	767	1.22
-15	1255	846	1.48
-10	1648	928	1.78
-5	2096	1016	2.06
0	2580	1113	2.32
5	3080	1224	2.52
10	3576	1351	2.65

Test Condition: EN13215\_SH10, M/HBP

Ambient Temperature 32°C

Evaporating Temperature °C	Cooling Capacity W	Power Consumption W	Efficiency W/W
-20	1142	768	1.49
-15	1428	857	1.67
-10	1772	949	1.87
-5	2157	1049	2.06
0	2561	1159	2.21
5	2966	1284	2.31
10	3353	1426	2.35

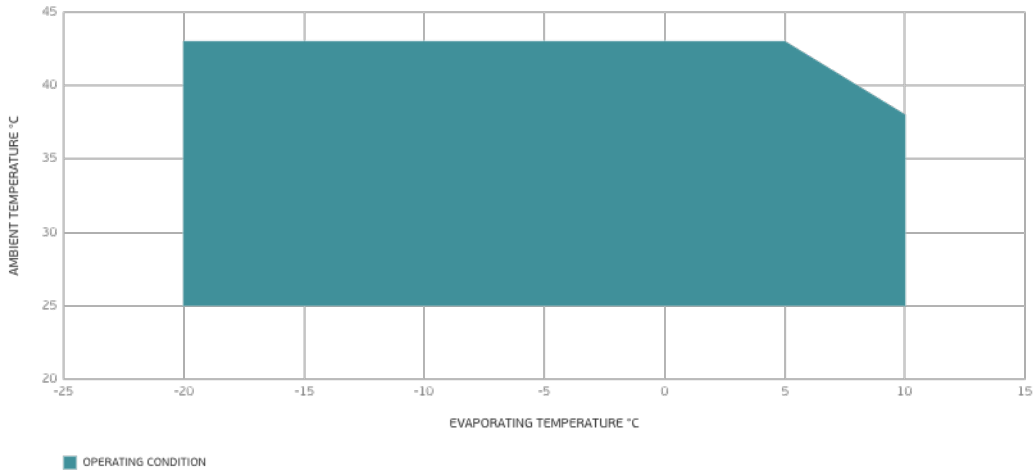
Test Condition: EN13215\_SH10, M/HBP

Ambient Temperature 43°C

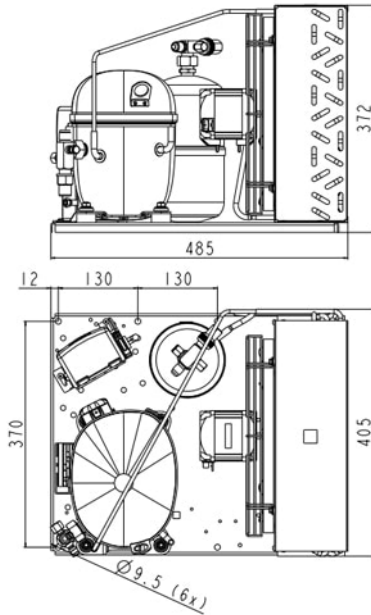
Evaporating Temperature °C	Cooling Capacity W	Power Consumption W	Efficiency W/W
-20	653	816	0.8
-15	933	917	1.02
-10	1247	1023	1.22
-5	1576	1137	1.39
0	1901	1264	1.5
5	2202	1407	1.56
10	2460	1569	1.57

Test Condition: EN13215\_SH10, M/HBP

## Operating Envelope



## External Dimensions



## Wiring Diagram

