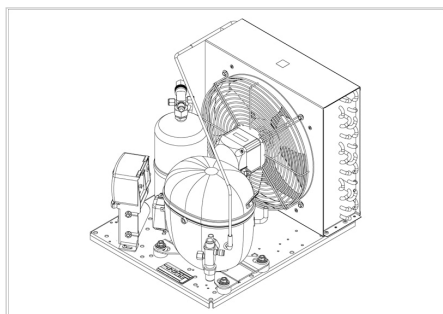


MODEL

UNT6226GK

embraco





APPROVALS



 **ENGINEERING CODE**
603BA5604AA

 **APPROVED REFRIGERANT**
R404A

 **POWER SUPPLY**
220 - 240V 50Hz ~

 **STANDARD CONDITIONS**
EN13215_SH10

 **APPLICATION**
M/HBP

 **COOLING CAPACITY**
1955 W

 **EFFICIENCY**
1.89 W/W

DATA

General Data

Weight	35.7 Kg
Receiver	2.3 L
Height	372 mm
Length	485 mm
Width	405 mm
Power Supply	220 - 240 V 50 Hz

Electrical Data

Motor Type	CSR
Locked Rotor Amperage (LRA)	38 A
Max Current	7.27 A

Spare Parts

Valve Suction	SOLDER 1/2"	2110050
Valve Discharge	SOLDER 3/8"	2110049
Condenser	3R14T	2451221
Compressor	NT6226GK	923BA08..AC
Electrical Kit	ELKOM NT6226GK	923BA0204A
Fan Kit	34W 300/28°/5B	1996585

Noise Data

Sound Power Level	69.63 dB (A)	-	-
Sound Pressure Level	at 1 m	at 5 m	at 10 m
	61.62824133 dB (A)	47.64884125 dB (A)	41.62824133 dB (A)

Fan Motor

Number	1
Shaft Power	34 W
Air Flow	700 m ³ /h
Blade diameter	300 mm

PERFORMANCE

Rated Points

Ambient Temperature	Cooling Capacity	Power Consumption	Efficiency
32.00°C	1955 W	1034 W	1.89 W/W

Test Condition: EN13215_SH10, Return Gas 0 °C, Subcooling 3K , Evaporation -10.00°C, Condensing 0 °C, Ambient 32.00°C

Performance Curve Data

Ambient Temperature 25°C

Evaporating Temperature °C	Cooling Capacity W	Power Consumption W	Efficiency W/W
-20	1140	842	1.35
-15	1460	923	1.58
-10	1851	1011	1.83
-5	2287	1108	2.06
0	2745	1213	2.26
5	3202	1328	2.41
10	3634	1452	2.5

Test Condition: EN13215_SH10, M/HBP

Ambient Temperature 32°C

Evaporating Temperature °C	Cooling Capacity W	Power Consumption W	Efficiency W/W
-20	1339	847	1.58
-15	1619	936	1.73
-10	1955	1034	1.89
-5	2322	1141	2.03
0	2697	1258	2.14
5	3056	1385	2.21
10	3375	1524	2.21

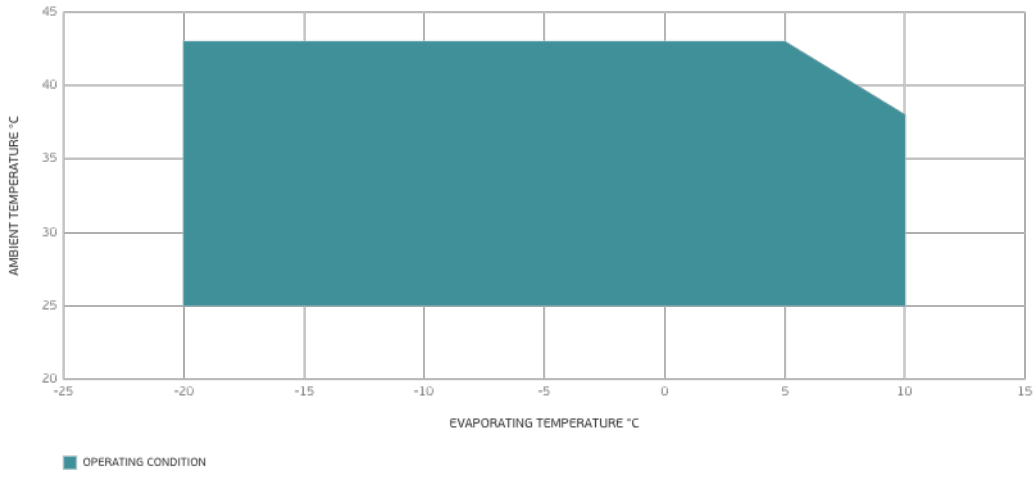
Test Condition: EN13215_SH10, M/HBP

Ambient Temperature 43°C

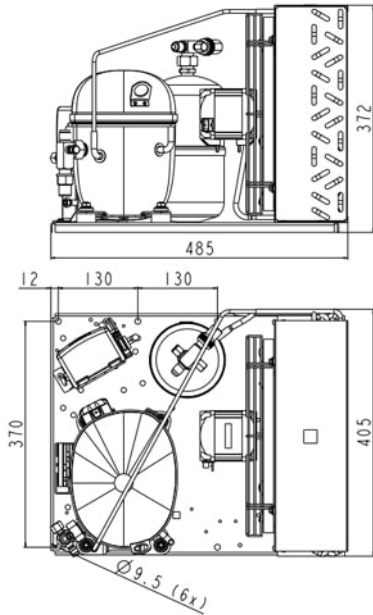
Evaporating Temperature °C	Cooling Capacity W	Power Consumption W	Efficiency W/W
-20	757	906	0.84
-15	1037	1006	1.03
-10	1349	1115	1.21
-5	1669	1236	1.35
0	1975	1367	1.44
5	2242	1511	1.48
10	2446	1668	1.47

Test Condition: EN13215_SH10, M/HBP

Operating Envelope



External Dimensions



Wiring Diagram

