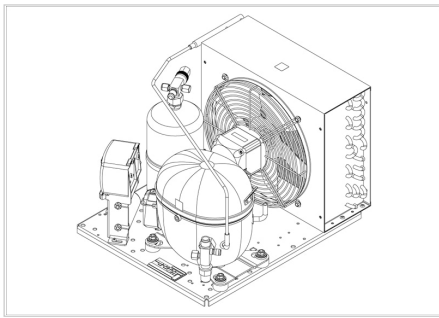


MODEL

UNT622GK

embraco





APPROVALS




 **ENGINEERING CODE**
602CA5604AA


 **APPROVED REFRIGERANT**
R452A

 **POWER SUPPLY**
220 - 240V 50Hz ~

 **STANDARD CONDITIONS**
EN13215_SH10

 **APPLICATION**
M/HBP

 **COOLING CAPACITY**
1338 W

 **EFFICIENCY**
1.49 W/W

DATA

General Data

Weight	33.2 Kg
Receiver	2.3 L
Height	324 mm
Length	494 mm
Width	395 mm
Power Supply	220 - 240 V 50 Hz

Electrical Data

Motor Type	CSR
Locked Rotor Amperage (LRA)	30 A
Max Current	7.73 A

Spare Parts

Condenser	3R12T	2451140
Valve Suction	SOLDER 1/2"	2110050
Valve Discharge	SOLDER 3/8"	2110049
Electrical Kit	ELKOM NT6222GK	922CA0404A
Compressor	NT6222GK	922CA09..AC
Fan Kit	34W 275/31°/5B	1996583

Noise Data

Sound Power Level	70.5 dB (A)	-	-
Sound Pressure Level	at 1 m	at 5 m	at 10 m
	62.4976018 dB (A)	48.51820171 dB (A)	42.4976018 dB (A)

Fan Motor

Number	1
Shaft Power	34 W
Air Flow	640 m³/h
Blade diameter	275 mm

PERFORMANCE

Rated Points

Ambient Temperature	Cooling Capacity	Power Consumption	Current	Efficiency
32.00°C	1338 W	897 W	5 A	1.49 W/W

Test Condition: EN13215_SH10, Return Gas 0 °C, Subcooling 3K , Evaporation -10.00°C, Condensing 0 °C, Ambient 32.00°C

Performance Curve Data

Ambient Temperature 25°C

Evaporating Temperature °C	Cooling Capacity W	Power Consumption W	Current A	Efficiency W/W
-20	1018	741	4.14	1.38
-15	1316	801	4.4	1.64
-10	1655	875	4.72	1.89
-5	2034	958	5.08	2.12
0	2453	1049	5.48	2.34
5	2914	1142	5.9	2.55
10	3416	1236	6.33	2.76

Test Condition: EN13215_SH10, M/HBP

Ambient Temperature 32°C

Evaporating Temperature °C	Cooling Capacity W	Power Consumption W	Current A	Efficiency W/W
-20	772	726	4.4	1.06
-15	1033	807	4.68	1.28
-10	1338	897	5	1.49
-5	1685	995	5.36	1.69
0	2076	1096	5.74	1.89
5	2510	1197	6.13	2.1
10	2988	1295	6.53	2.31

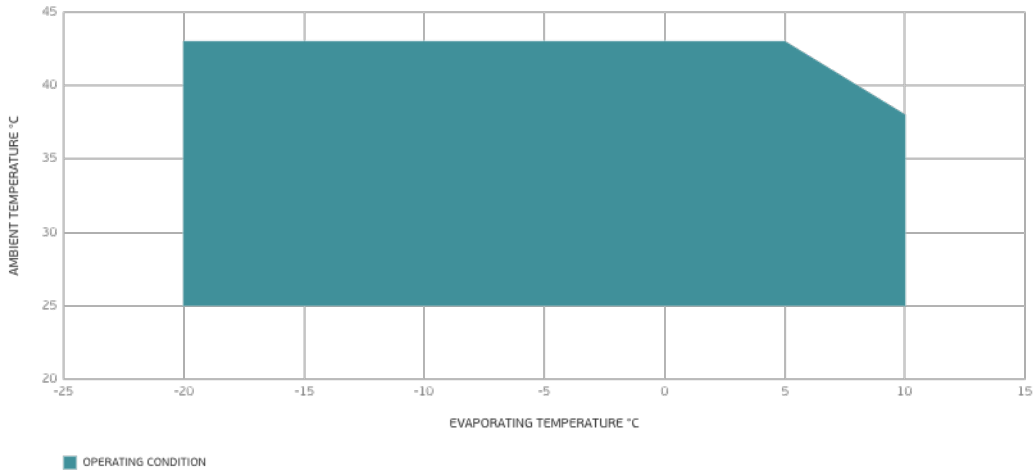
Test Condition: EN13215_SH10, M/HBP

Ambient Temperature 43°C

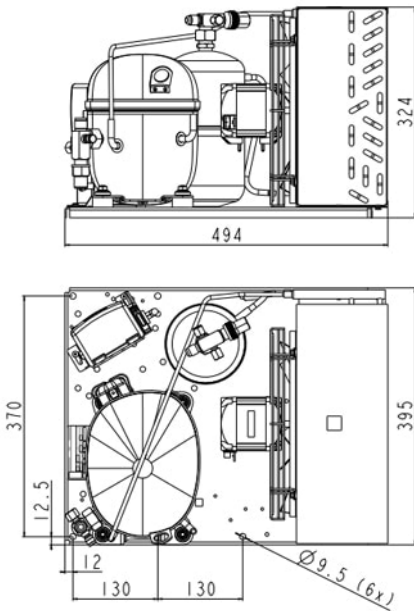
Evaporating Temperature °C	Cooling Capacity W	Power Consumption W	Current A	Efficiency W/W
-20	641	740	4.27	0.87
-15	810	840	4.67	0.96
-10	1026	945	5.1	1.09
-5	1289	1052	5.55	1.23
0	1600	1158	6.01	1.38
5	1957	1259	6.48	1.55
10	2363	1352	6.93	1.75

Test Condition: EN13215_SH10, M/HBP

Operating Envelope



External Dimensions



Wiring Diagram

