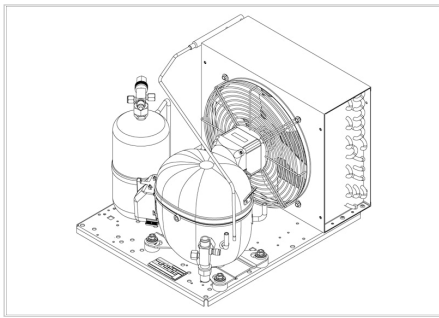


MODEL

UNT6217Z

embraco





APPROVALS




 **ENGINEERING CODE**
602DA5212AA


 **APPROVED REFRIGERANT**
R513A

 **POWER SUPPLY**
220 - 240V 50Hz ~

 **STANDARD CONDITIONS**
EN13215_SH10

 **APPLICATION**
M/HBP

 **COOLING CAPACITY**
965 W

 **EFFICIENCY**
1.46 W/W

DATA

General Data

Weight	30.1 Kg
Receiver	2.3 L
Height	324 mm
Length	494 mm
Width	395 mm
Power Supply	220 - 240 V 50 Hz

Electrical Data

Motor Type	CSIR
Locked Rotor Amperage (LRA)	25 A
Max Current	5.43 A

Spare Parts

Valve Discharge	FLARE 3/8"	2110056
Valve Suction	FLARE 1/2"	2110057
Condenser	3R12T	2451218
Compressor	NT6217Z	212BA09..AC
Electrical Kit	ELKOM NT6217Z	212BA0412A
Fan Kit	34W 275/31°/5B	1996588

Noise Data

Sound Power Level	67.5 dB (A)	-	-
Sound Pressure Level	at 1 m	at 5 m	at 10 m
	59.5 dB (A)	45.5 dB (A)	39.5 dB (A)

Fan Motor

Number	1
Shaft Power	34 W
Air Flow	640 m ³ /h
Blade diameter	275 mm

PERFORMANCE

Rated Points

Ambient Temperature	Cooling Capacity	Power Consumption	Current	Efficiency
32.00°C	965 W	663 W	4.87 A	1.46 W/W

Test Condition: EN13215_SH10, Return Gas 0 °C, Subcooling 3K , Evaporation -10.00°C, Condensing 0 °C, Ambient 32.00°C

Performance Curve Data

Ambient Temperature 25°C

Evaporating Temperature °C	Cooling Capacity W	Power Consumption W	Current A	Efficiency W/W
-15	875	583	4.56	1.5
-10	1074	644	4.74	1.67
-5	1306	709	4.92	1.84
0	1576	779	5.14	2.02
5	1889	856	5.38	2.21
10	2250	943	5.68	2.39

Test Condition: EN13215_SH10, M/HBP

Ambient Temperature 32°C

Evaporating Temperature °C	Cooling Capacity W	Power Consumption W	Current A	Efficiency W/W
-15	785	598	4.69	1.31
-10	965	663	4.87	1.46
-5	1174	730	5.06	1.61
0	1418	802	5.28	1.77
5	1701	881	5.53	1.93
10	2029	969	5.84	2.1

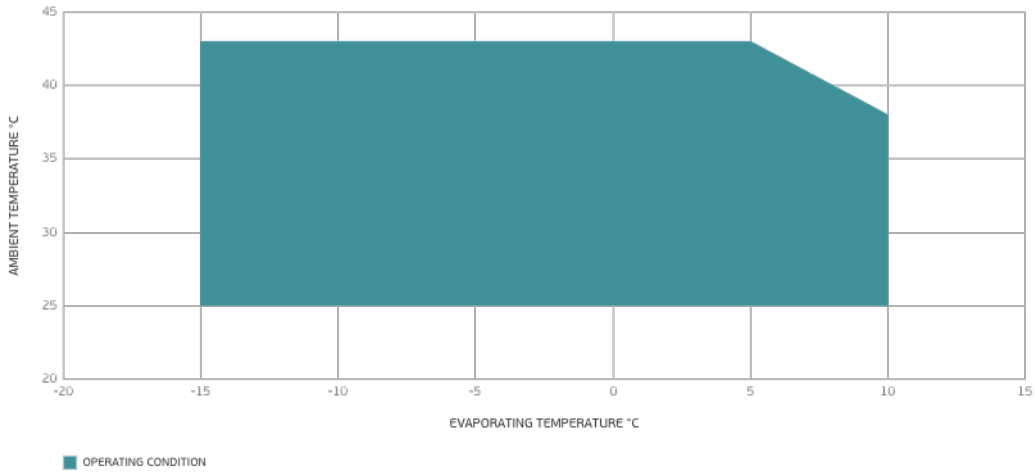
Test Condition: EN13215_SH10, M/HBP

Ambient Temperature 43°C

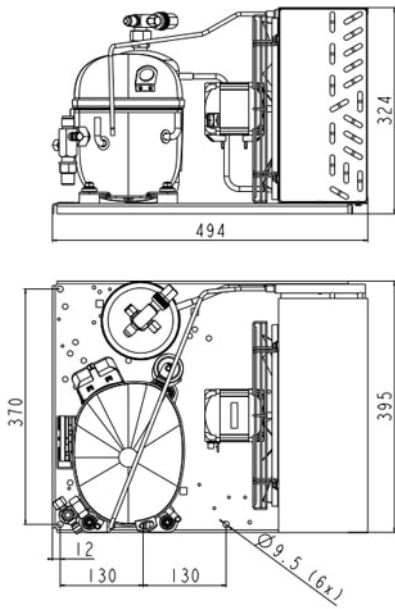
Evaporating Temperature °C	Cooling Capacity W	Power Consumption W	Current A	Efficiency W/W
-15	636	626	4.74	1.02
-10	802	702	4.95	1.14
-5	991	779	5.19	1.27
0	1210	859	5.45	1.41
5	1462	945	5.75	1.55
10	1755	1039	6.11	1.69

Test Condition: EN13215_SH10, M/HBP

Operating Envelope



External Dimensions



Wiring Diagram

