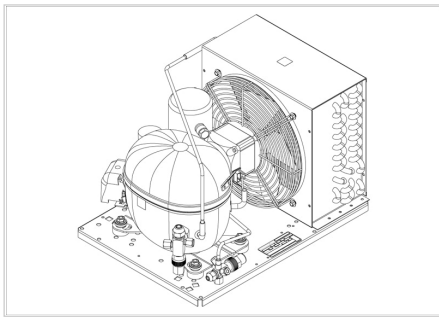


MODEL

UNT2178GK

embraco





APPROVALS



 **ENGINEERING CODE**
502EA5212AA

 **APPROVED REFRIGERANT**
R404A

 **POWER SUPPLY**
220 - 240V 50Hz ~

 **STANDARD CONDITIONS**
EN13215_SH10

 **APPLICATION**
LBP

 **COOLING CAPACITY**
335 W

 **EFFICIENCY**
0.7 W/W

DATA

General Data

| | |
|--------------|-------------------|
| Weight | 27.5 Kg |
| Receiver | 1.2 L |
| Height | 296 mm |
| Length | 474 mm |
| Width | 340 mm |
| Power Supply | 220 - 240 V 50 Hz |

Electrical Data

| | |
|-----------------------------|--------|
| Motor Type | CSIR |
| Locked Rotor Amperage (LRA) | 25 A |
| Max Current | 4.24 A |

Spare Parts

| | | |
|-----------------|----------------|-------------|
| Valve Discharge | FLARE 1/4" | 2110025 |
| Condenser | 4R11T | 2451217 |
| Valve Suction | FLARE 3/8" | 2110056 |
| Compressor | NT2178GK | 922EA09..AC |
| Electrical Kit | ELKOM NT2178GK | 922EA0413A |
| Fan Kit | 16W 254/28°/5B | 1996579 |

Noise Data

| | | | |
|----------------------|-------------------|--------------------|-------------------|
| Sound Power Level | 65.04 dB (A) | - | - |
| Sound Pressure Level | at 1 m | at 5 m | at 10 m |
| | 57.0382926 dB (A) | 43.05889251 dB (A) | 37.0382926 dB (A) |

Fan Motor

| | |
|----------------|-----------------------|
| Number | 1 |
| Shaft Power | 16 W |
| Air Flow | 460 m ³ /h |
| Blade diameter | 254 mm |

PERFORMANCE

Rated Points

| Ambient Temperature | Cooling Capacity | Power Consumption | Current | Efficiency |
|---------------------|------------------|-------------------|---------|------------|
| 32.00°C | 335 W | 482 W | 3.74 A | 0.7 W/W |

Test Condition: EN13215_SH10, Return Gas 0 °C, Subcooling 3K , Evaporation -35.00°C, Condensing 0 °C, Ambient 32.00°C

Performance Curve Data

Ambient Temperature 25°C

| Evaporating Temperature °C | Cooling Capacity W | Power Consumption W | Current A | Efficiency W/W |
|----------------------------|--------------------|---------------------|-----------|----------------|
| -40 | 307 | 424 | 3.54 | 0.72 |
| -35 | 423 | 487 | 3.73 | 0.87 |
| -30 | 562 | 555 | 3.95 | 1.01 |
| -25 | 723 | 628 | 4.19 | 1.15 |
| -20 | 904 | 705 | 4.46 | 1.28 |
| -15 | 1106 | 787 | 4.77 | 1.4 |
| -10 | 1328 | 875 | 5.1 | 1.52 |

Test Condition: EN13215_SH10, LBP

Ambient Temperature 32°C

| Evaporating Temperature °C | Cooling Capacity W | Power Consumption W | Current A | Efficiency W/W |
|----------------------------|--------------------|---------------------|-----------|----------------|
| -40 | 243 | 411 | 3.55 | 0.59 |
| -35 | 335 | 482 | 3.74 | 0.7 |
| -30 | 448 | 558 | 3.97 | 0.8 |
| -25 | 580 | 642 | 4.24 | 0.9 |
| -20 | 732 | 732 | 4.56 | 1 |
| -15 | 903 | 828 | 4.92 | 1.09 |
| -10 | 1092 | 931 | 5.33 | 1.17 |

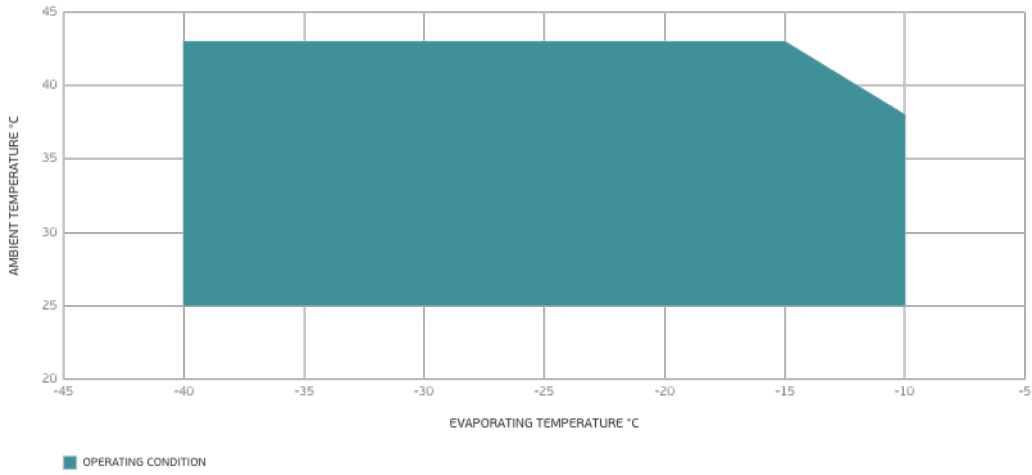
Test Condition: EN13215_SH10, LBP

Ambient Temperature 43°C

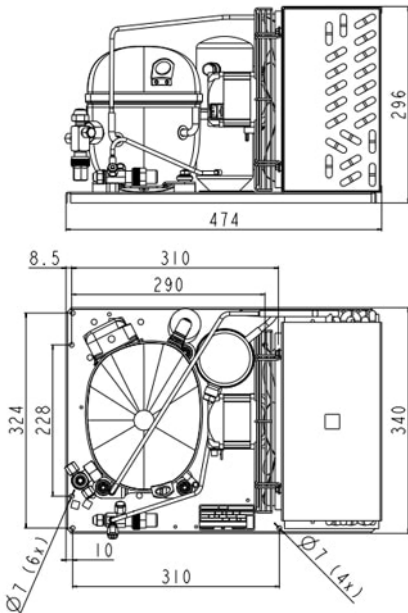
| Evaporating Temperature °C | Cooling Capacity W | Power Consumption W | Current A | Efficiency W/W |
|----------------------------|--------------------|---------------------|-----------|----------------|
| -40 | 166 | 417 | 3.56 | 0.4 |
| -35 | 240 | 487 | 3.72 | 0.49 |
| -30 | 331 | 566 | 3.94 | 0.58 |
| -25 | 439 | 655 | 4.24 | 0.67 |
| -20 | 564 | 753 | 4.6 | 0.75 |
| -15 | 705 | 861 | 5.02 | 0.82 |
| -10 | 861 | 979 | 5.52 | 0.88 |

Test Condition: EN13215_SH10, LBP

Operating Envelope



External Dimensions



Wiring Diagram

