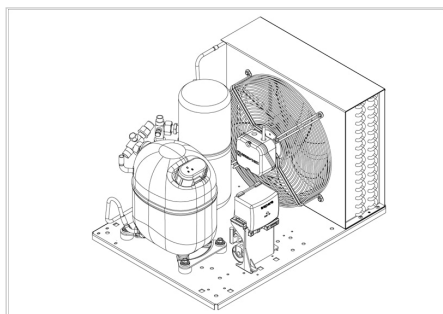


MODEL

UNJ9238GK

embraco



APPROVALS



 **ENGINEERING CODE**

643RV5604AA

 **APPROVED REFRIGERANT**

R452A

 **POWER SUPPLY**

230V 50Hz ~

 **STANDARD CONDITIONS**

EN13215_SH10

 **APPLICATION**

M/HBP

 **COOLING CAPACITY**

2197 W

 **EFFICIENCY**

1.38 W/W

DATA

General Data

Weight	46.8 Kg
Receiver	3.9 L
Height	372 mm
Length	600 mm
Width	440 mm
Power Supply	230 V 50 Hz

Electrical Data

Motor Type	CSR
Locked Rotor Amperage (LRA)	43 A
Max Current	10.1 A

Spare Parts

Valve Suction	SOLDER 5/8"	2110054
Fan Kit	S4E300-XX	1996589
Valve Discharge	SOLDER 1/2"	2110050
Condenser	4R14T	2451199
Compressor	NJ9238GK	943RV19..AC
Electrical Kit	ELKOM NJ9238GK	943RV1904A

Noise Data

Sound Power Level	71.34 dB (A)	-	-
Sound Pressure Level	at 1 m	at 5 m	at 10 m
	63.34080301 dB (A)	49.36140292 dB (A)	43.34080301 dB (A)

Fan Motor

Number	1
Shaft Power	95 W
Air Flow	1300 m ³ /h
Blade diameter	-

PERFORMANCE

Rated Points

Ambient Temperature	Cooling Capacity	Power Consumption	Current	Efficiency
32.00°C	2197 W	1595 W	7.58 A	1.38 W/W

Test Condition: EN13215_SH10, Return Gas 0 °C, Subcooling 3K , Evaporation -10.00°C, Condensing 0 °C, Ambient 32.00°C

Performance Curve Data

Ambient Temperature 25°C

Evaporating Temperature °C	Cooling Capacity W	Power Consumption W	Current A	Efficiency W/W
-20	1638	1246	6.23	1.31
-15	2128	1379	6.68	1.54
-10	2619	1538	7.31	1.7
-5	3108	1722	8.12	1.8
0	3592	1931	9.07	1.86
5	4068	2165	10.17	1.88
10	4531	2423	11.41	1.87

Test Condition: EN13215_SH10, M/HBP

Ambient Temperature 32°C

Evaporating Temperature °C	Cooling Capacity W	Power Consumption W	Current A	Efficiency W/W
-20	1304	1274	6.35	1.02
-15	1741	1423	6.9	1.22
-10	2197	1595	7.58	1.38
-5	2669	1788	8.39	1.49
0	3152	2004	9.31	1.57
5	3643	2241	10.34	1.63
10	4140	2500	11.45	1.66

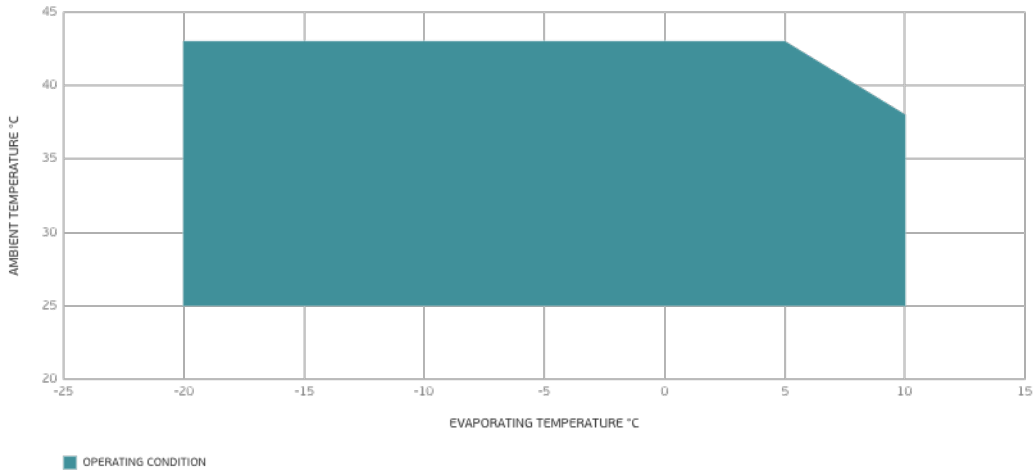
Test Condition: EN13215_SH10, M/HBP

Ambient Temperature 43°C

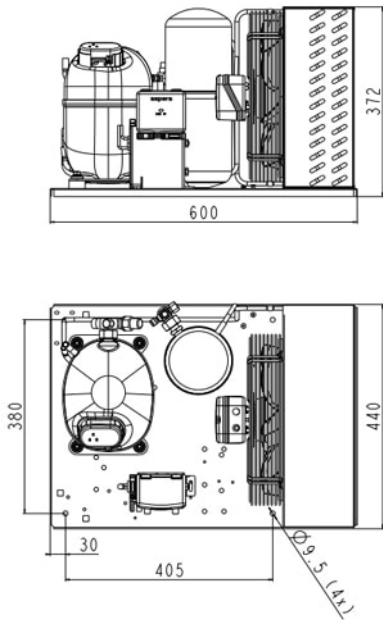
Evaporating Temperature °C	Cooling Capacity W	Power Consumption W	Current A	Efficiency W/W
-20	1098	1273	6.23	0.86
-15	1471	1432	6.94	1.03
-10	1888	1608	7.72	1.17
-5	2347	1801	8.55	1.3
0	2845	2011	9.44	1.41
5	3378	2239	10.36	1.51
10	3943	2483	11.29	1.59

Test Condition: EN13215_SH10, M/HBP

Operating Envelope



External Dimensions



Wiring Diagram

