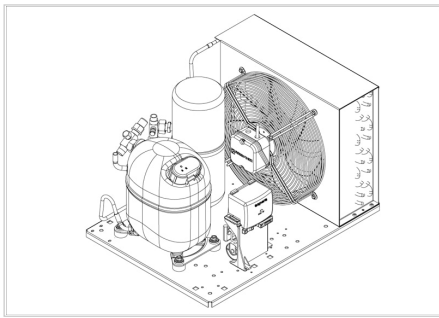


MODEL


UNJ9232GK

embraco





APPROVALS




 **ENGINEERING CODE**
643NA5604AA

 **APPROVED REFRIGERANT**
R404A

 **POWER SUPPLY**
220 - 240V 50Hz ~

 **STANDARD CONDITIONS**
EN13215_SH10

 **APPLICATION**
M/HBP

 **COOLING CAPACITY**
1886 W

 **EFFICIENCY**
1.51 W/W

DATA

General Data

Weight	46.1 Kg
Receiver	3.9 L
Height	372 mm
Length	600 mm
Width	440 mm
Power Supply	220 - 240 V 50 Hz

Electrical Data

Motor Type	CSR
Locked Rotor Amperage (LRA)	43 A
Max Current	8.12 A

Spare Parts

Valve Suction	SOLDER 5/8"	2110054
Fan Kit	S4E300-XX	1996589
Compressor	NJ9232GK	943NA19..AC
Condenser	3R14T	2451198
Electrical Kit	ELKOM NJ9232GK	943NA1104A
Valve Discharge	SOLDER 1/2"	2110050

Noise Data

Sound Power Level	70.87 dB (A)	-	-
Sound Pressure Level	at 1 m	at 5 m	at 10 m
	62.86729775 dB (A)	48.88789767 dB (A)	42.86729775 dB (A)

Fan Motor

Number	1
Shaft Power	95 W
Air Flow	1450 m ³ /h
Blade diameter	-

PERFORMANCE

Rated Points

Ambient Temperature	Cooling Capacity	Power Consumption	Current	Efficiency
32.00°C	1886 W	1251 W	5.97 A	1.51 W/W

Test Condition: EN13215_SH10, Return Gas 0 °C, Subcooling 3K , Evaporation -10.00°C, Condensing 0 °C, Ambient 32.00°C

Performance Curve Data

Ambient Temperature 25°C

Evaporating Temperature °C	Cooling Capacity W	Power Consumption W	Current A	Efficiency W/W
-20	1423	1023	5	1.39
-15	1753	1115	5.37	1.57
-10	2136	1220	5.81	1.75
-5	2570	1338	6.33	1.92
0	3051	1470	6.91	2.08
5	3579	1615	7.55	2.22
10	4151	1773	8.26	2.34

Test Condition: EN13215_SH10, M/HBP

Ambient Temperature 32°C

Evaporating Temperature °C	Cooling Capacity W	Power Consumption W	Current A	Efficiency W/W
-20	1210	1040	5.06	1.16
-15	1527	1139	5.48	1.34
-10	1886	1251	5.97	1.51
-5	2284	1375	6.51	1.66
0	2719	1511	7.12	1.8
5	3188	1659	7.78	1.92
10	3689	1819	8.5	2.03

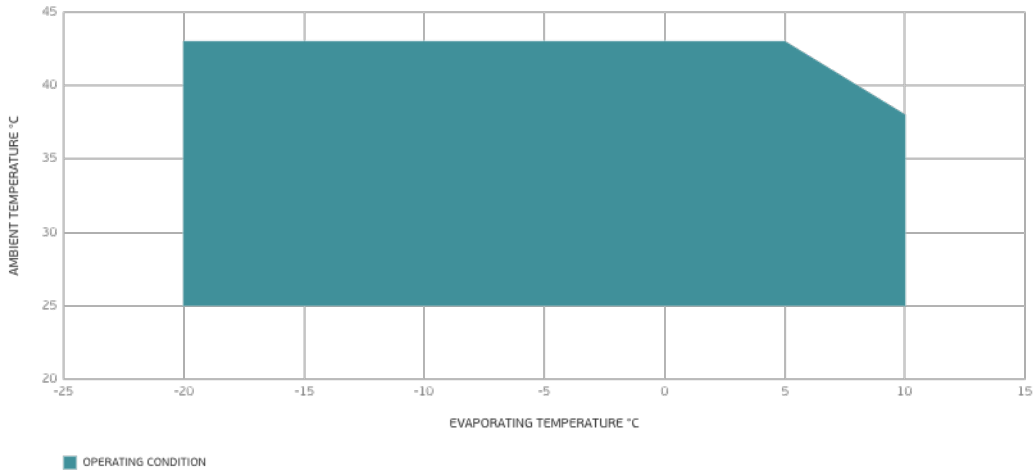
Test Condition: EN13215_SH10, M/HBP

Ambient Temperature 43°C

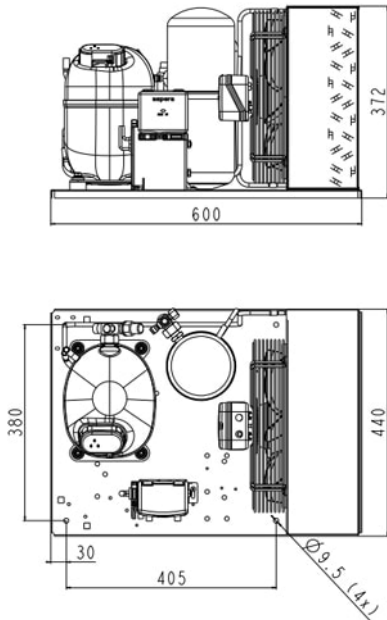
Evaporating Temperature °C	Cooling Capacity W	Power Consumption W	Current A	Efficiency W/W
-20	866	1059	5.17	0.82
-15	1144	1176	5.68	0.97
-10	1445	1304	6.24	1.11
-5	1765	1441	6.85	1.23
0	2105	1589	7.51	1.32
5	2460	1747	8.21	1.41
10	2830	1915	8.95	1.48

Test Condition: EN13215_SH10, M/HBP

Operating Envelope



External Dimensions



Wiring Diagram

