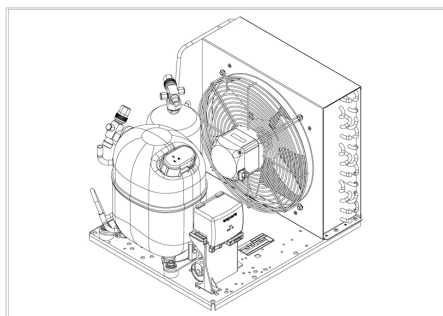


MODEL

UNJ9226GK

embraco



APPROVALS

CE

 ECODESIGN
COMPLIANT

ENGINEERING CODE

644LV5610AA

APPROVED REFRIGERANT

R452A

POWER SUPPLY

230V 50Hz ~

STANDARD CONDITIONS

EN13215_SH10

APPLICATION

M/HBP

COOLING CAPACITY

1448 W

EFFICIENCY

1.41 W/W

DATA

General Data

Weight	39.6 Kg
Receiver	2.3 L
Height	372 mm
Length	482 mm
Width	411 mm
Power Supply	230 V 50 Hz

Electrical Data

Motor Type	CSR
Locked Rotor Amperage (LRA)	27.5 A
Max Current	6.7 A

Spare Parts

Valve Discharge	SOLDER 3/8"	2110049
Valve Suction	SOLDER 5/8"	2110054
Condenser	3R14T	2451221
Electrical Kit	ELKOM NJ9226GK	944LV1104A
Compressor	NJ9226GK	944LV19..AC
Fan Kit	34W 300/28°/5B	1996585

Noise Data

Sound Power Level	70.42 dB (A)	-	-
Sound Pressure Level	at 1 m	at 5 m	at 10 m
	62.41760231 dB (A)	48.43820222 dB (A)	42.41760231 dB (A)

Fan Motor

Number	1
Shaft Power	34 W
Air Flow	700 m³/h
Blade diameter	300 mm

PERFORMANCE

Rated Points

Ambient Temperature	Cooling Capacity	Power Consumption	Current	Efficiency
32.00°C	1448 W	1028 W	4.83 A	1.41 W/W

Test Condition: EN13215_SH10, Return Gas 0 °C, Subcooling 3K , Evaporation -10.00°C, Condensing 0 °C, Ambient 32.00°C

Performance Curve Data

Ambient Temperature 25°C

Evaporating Temperature °C	Cooling Capacity W	Power Consumption W	Current A	Efficiency W/W
-20	1074	811	3.96	1.32
-15	1379	895	4.27	1.54
-10	1715	994	4.68	1.72
-5	2081	1107	5.17	1.88
0	2476	1229	5.73	2.01
5	2899	1360	6.34	2.13
10	3349	1497	7	2.24

Test Condition: EN13215_SH10, M/HBP

Ambient Temperature 32°C

Evaporating Temperature °C	Cooling Capacity W	Power Consumption W	Current A	Efficiency W/W
-20	844	833	4.06	1.01
-15	1129	923	4.41	1.22
-10	1448	1028	4.83	1.41
-5	1800	1144	5.32	1.57
0	2185	1272	5.86	1.72
5	2601	1407	6.44	1.85
10	3048	1548	7.05	1.97

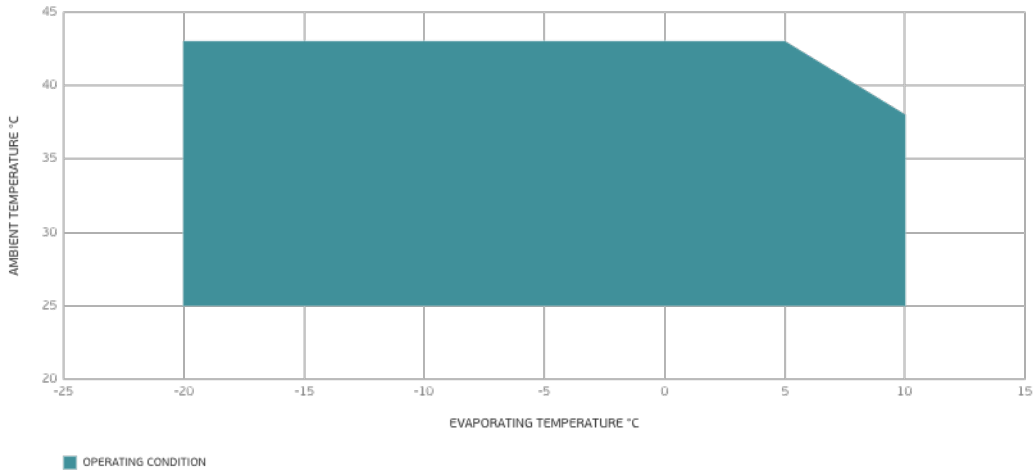
Test Condition: EN13215_SH10, M/HBP

Ambient Temperature 43°C

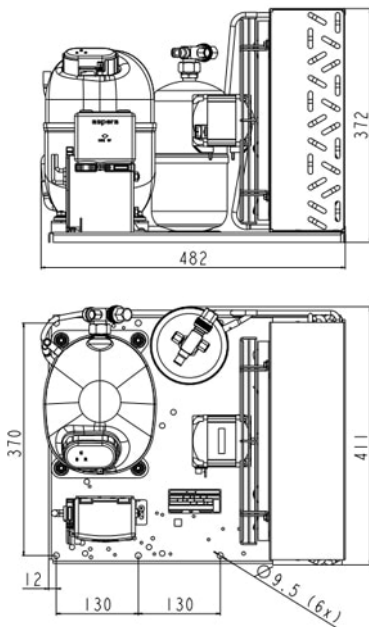
Evaporating Temperature °C	Cooling Capacity W	Power Consumption W	Current A	Efficiency W/W
-20	763	837	4	0.91
-15	1014	934	4.45	1.09
-10	1304	1045	4.95	1.25
-5	1634	1168	5.48	1.4
0	2002	1300	6.04	1.54
5	2407	1440	6.61	1.67
10	2847	1586	7.19	1.8

Test Condition: EN13215_SH10, M/HBP

Operating Envelope



External Dimensions



Wiring Diagram

