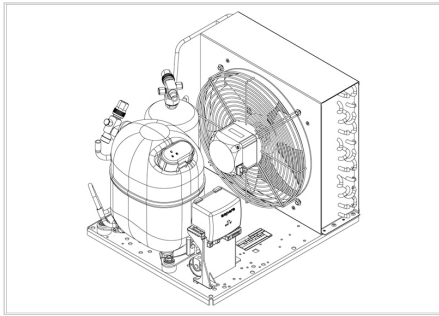


MODEL

UNJ9226GK

embraco





APPROVALS




 **ENGINEERING CODE**
644LV5610AA

 **APPROVED REFRIGERANT**
R449A

 **POWER SUPPLY**
230V 50Hz ~

 **STANDARD CONDITIONS**
EN13215_SH10

 **APPLICATION**
M/HBP

 **COOLING CAPACITY**
1402 W

 **EFFICIENCY**
1.5 W/W

DATA

General Data

Weight	39.6 Kg
Receiver	2.3 L
Height	372 mm
Length	482 mm
Width	411 mm
Power Supply	230 V 50 Hz

Electrical Data

Motor Type	CSR
Locked Rotor Amperage (LRA)	27.5 A
Max Current	6.7 A

Spare Parts

Valve Discharge	SOLDER 3/8"	2110049
Valve Suction	SOLDER 5/8"	2110054
Condenser	3R14T	2451221
Electrical Kit	ELKOM NJ9226GK	944LV1104A
Compressor	NJ9226GK	944LV19..AC
Fan Kit	34W 300/28°/5B	1996585

Noise Data

Sound Power Level	70.42 dB (A)	-	-
Sound Pressure Level	at 1 m	at 5 m	at 10 m
	62.41760231 dB (A)	48.43820222 dB (A)	42.41760231 dB (A)

Fan Motor

Number	1
Shaft Power	34 W
Air Flow	700 m³/h
Blade diameter	300 mm

PERFORMANCE

Rated Points

Ambient Temperature	Cooling Capacity	Power Consumption	Current	Efficiency
32.00°C	1402 W	933 W	4.39 A	1.5 W/W

Test Condition: EN13215_SH10, Return Gas 0 °C, Subcooling 3K , Evaporation -10.00°C, Condensing 0 °C, Ambient 32.00°C

Performance Curve Data

Ambient Temperature 25°C

Evaporating Temperature °C	Cooling Capacity W	Power Consumption W	Current A	Efficiency W/W
-20	955	723	3.51	1.32
-15	1251	807	3.83	1.55
-10	1589	899	4.21	1.77
-5	1971	1001	4.63	1.97
0	2397	1114	5.12	2.15
5	2867	1237	5.68	2.32
10	3380	1371	6.31	2.47

Test Condition: EN13215_SH10, M/HBP

Ambient Temperature 32°C

Evaporating Temperature °C	Cooling Capacity W	Power Consumption W	Current A	Efficiency W/W
-20	808	755	3.66	1.07
-15	1083	838	4	1.29
-10	1402	933	4.39	1.5
-5	1767	1040	4.84	1.7
0	2176	1158	5.36	1.88
5	2632	1289	5.95	2.04
10	3133	1433	6.62	2.19

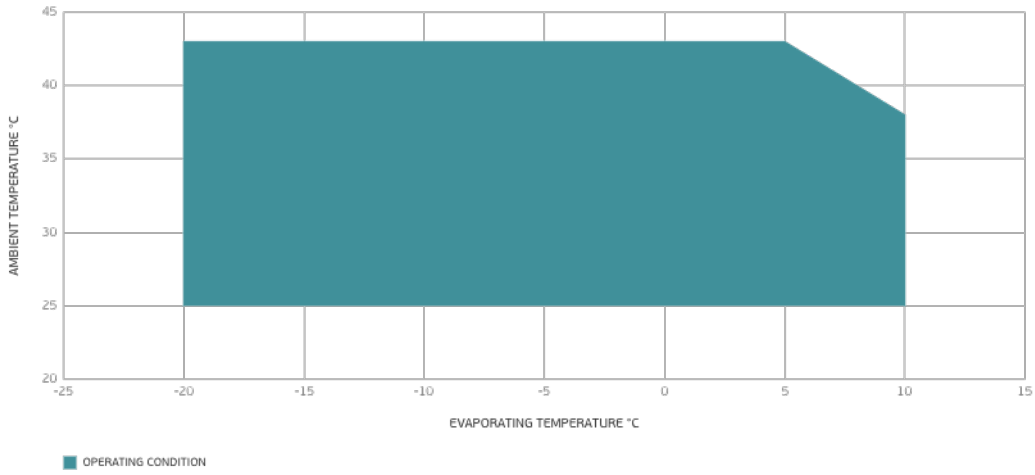
Test Condition: EN13215_SH10, M/HBP

Ambient Temperature 43°C

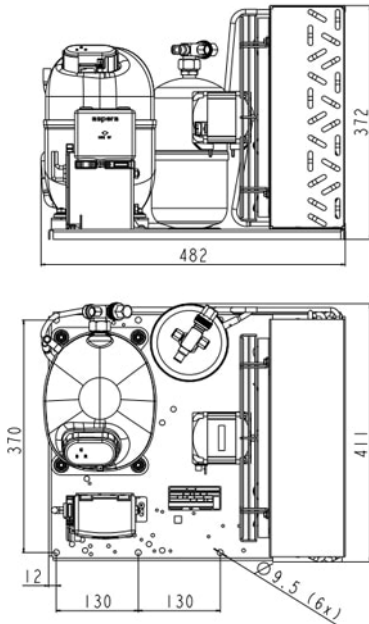
Evaporating Temperature °C	Cooling Capacity W	Power Consumption W	Current A	Efficiency W/W
-20	692	775	3.75	0.89
-15	950	864	4.13	1.1
-10	1256	967	4.57	1.3
-5	1610	1084	5.07	1.49
0	2011	1216	5.65	1.65
5	2461	1365	6.3	1.8
10	2959	1529	7.04	1.93

Test Condition: EN13215_SH10, M/HBP

Operating Envelope



External Dimensions



Wiring Diagram

