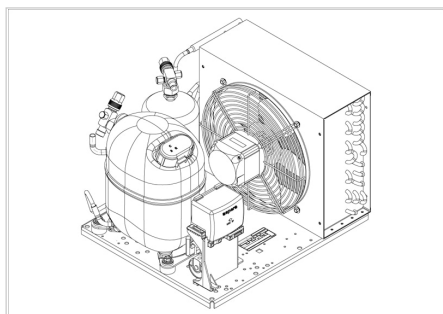


MODEL

UNJ2212GK

embraco





APPROVALS




 **ENGINEERING CODE**
643TA5604AA

 **APPROVED REFRIGERANT**
R404A

 **POWER SUPPLY**
220 - 240V 50Hz ~

 **STANDARD CONDITIONS**
EN13215_SH10

 **APPLICATION**
LBP

 **COOLING CAPACITY**
664 W

 **EFFICIENCY**
0.76 W/W

DATA

General Data

Weight	38.3 Kg
Receiver	2.3 L
Height	324 mm
Length	481 mm
Width	410 mm
Power Supply	220 - 240 V 50 Hz

Electrical Data

Motor Type	CSR
Locked Rotor Amperage (LRA)	36 A
Max Current	6.5 A

Spare Parts

Condenser	3R12T	2451140
Valve Discharge	SOLDER 3/8"	2110049
Valve Suction	SOLDER 5/8"	2110054
Compressor	NJ2212GK	943DA19..AC
Electrical Kit	ELKOM NJ2212GK	943DA1904A
Fan Kit	34W 275/31°/5B	1996583

Noise Data

Sound Power Level	71.3 dB (A)	-	-
Sound Pressure Level	at 1 m	at 5 m	at 10 m
	63.30327879 dB (A)	49.3238787 dB (A)	43.30327879 dB (A)

Fan Motor

Number	1
Shaft Power	34 W
Air Flow	800 m ³ /h
Blade diameter	275 mm

PERFORMANCE

Rated Points

Ambient Temperature	Cooling Capacity	Power Consumption	Current	Efficiency
32.00°C	664 W	875 W	4.74 A	0.76 W/W

Test Condition: EN13215_SH10, Return Gas 0 °C, Subcooling 3K , Evaporation -35.00°C, Condensing 0 °C, Ambient 32.00°C

Performance Curve Data

Ambient Temperature 25°C

Evaporating Temperature °C	Cooling Capacity W	Power Consumption W	Current A	Efficiency W/W
-40	626	788	4.45	0.79
-35	836	898	4.89	0.93
-30	1076	1029	5.42	1.05
-25	1346	1181	6.06	1.14
-20	1646	1354	6.81	1.22
-15	1975	1549	7.68	1.27
-10	2334	1767	8.67	1.32

Test Condition: EN13215_SH10, LBP

Ambient Temperature 32°C

Evaporating Temperature °C	Cooling Capacity W	Power Consumption W	Current A	Efficiency W/W
-40	477	749	4.23	0.64
-35	664	875	4.74	0.76
-30	883	1020	5.36	0.87
-25	1134	1185	6.08	0.96
-20	1417	1370	6.91	1.03
-15	1732	1575	7.86	1.1
-10	2079	1802	8.93	1.15

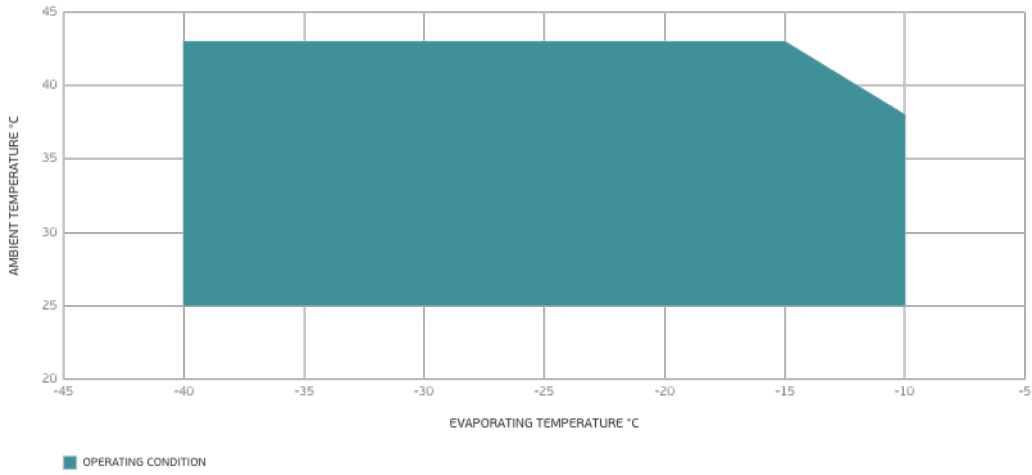
Test Condition: EN13215_SH10, LBP

Ambient Temperature 43°C

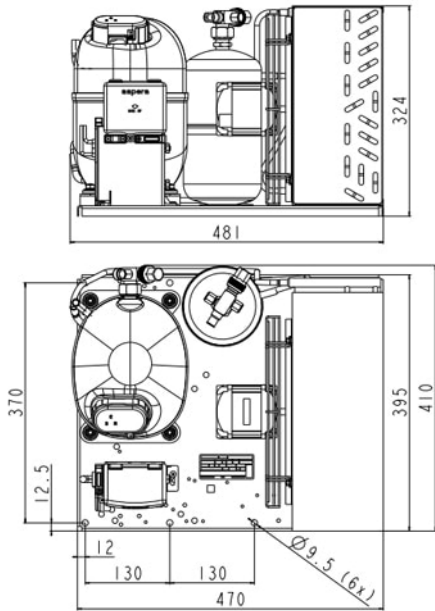
Evaporating Temperature °C	Cooling Capacity W	Power Consumption W	Current A	Efficiency W/W
-40	342	736	4.23	0.47
-35	489	880	4.79	0.56
-30	671	1042	5.45	0.64
-25	889	1221	6.22	0.73
-20	1143	1418	7.09	0.81
-15	1432	1633	8.09	0.88
-10	1756	1868	9.2	0.94

Test Condition: EN13215_SH10, LBP

Operating Envelope



External Dimensions



Wiring Diagram

