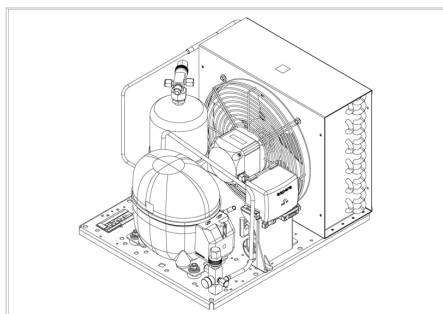


MODEL

UNEK6217GK

embraco



APPROVALS



 **ENGINEERING CODE**

559GA5204AA

 **APPROVED REFRIGERANT**

R449A

 **POWER SUPPLY**

220 - 240V 50Hz ~

 **STANDARD CONDITIONS**

EN13215_SH10

 **APPLICATION**

M/HBP

 **COOLING CAPACITY**

967 W

 **EFFICIENCY**

1.44 W/W

DATA

General Data

Weight	28.5 Kg
Receiver	2.3 L
Height	324 mm
Length	471 mm
Width	395 mm
Power Supply	220 - 240 V 50 Hz

Electrical Data

Motor Type	CSR
Locked Rotor Amperage (LRA)	21.5 A
Max Current	5.55 A

Spare Parts

Valve Suction	FLARE 1/2"	2110051
Valve Discharge	FLARE 3/8"	2110056
Condenser	3R12T	2451218
Compressor	NEK6217GK	959GA51..AM
Electrical Kit	ELKOM NEK6217GK	959GA5190A
Fan Kit	34W 275/31°/5B	1996583

Noise Data

Sound Power Level	68.3 dB (A)	-	-
Sound Pressure Level	at 1 m	at 5 m	at 10 m
	60.3 dB (A)	46.3 dB (A)	40.3 dB (A)

Fan Motor

Number	1
Shaft Power	34 W
Air Flow	640 m ³ /h
Blade diameter	275 mm

PERFORMANCE

Rated Points

Ambient Temperature	Cooling Capacity	Power Consumption	Current	Efficiency
32.00°C	967 W	672 W	3.35 A	1.44 W/W

Test Condition: EN13215_SH10, Return Gas 0 °C, Subcooling 3K , Evaporation -10.00°C, Condensing 0 °C, Ambient 32.00°C

Performance Curve Data

Ambient Temperature 25°C

Evaporating Temperature °C	Cooling Capacity W	Power Consumption W	Current A	Efficiency W/W
-20	644	551	2.76	1.17
-15	840	601	2.99	1.4
-10	1057	656	3.24	1.61
-5	1300	716	3.52	1.82
0	1578	780	3.82	2.02
5	1895	848	4.14	2.23
10	2260	922	4.5	2.45

Test Condition: EN13215_SH10, M/HBP

Ambient Temperature 32°C

Evaporating Temperature °C	Cooling Capacity W	Power Consumption W	Current A	Efficiency W/W
-20	574	570	2.9	1.01
-15	763	618	3.11	1.24
-10	967	672	3.35	1.44
-5	1193	734	3.62	1.63
0	1448	803	3.94	1.8
5	1738	879	4.29	1.98
10	2071	963	4.69	2.15

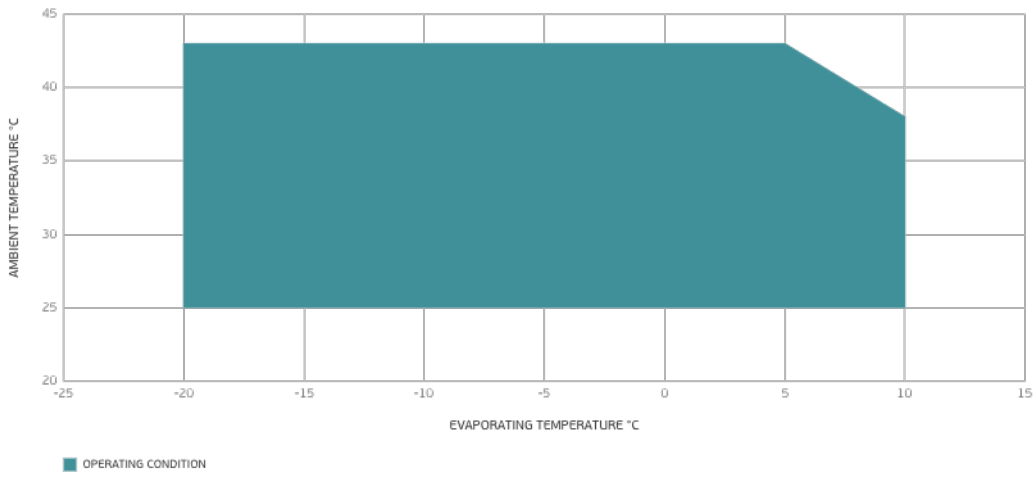
Test Condition: EN13215_SH10, M/HBP

Ambient Temperature 43°C

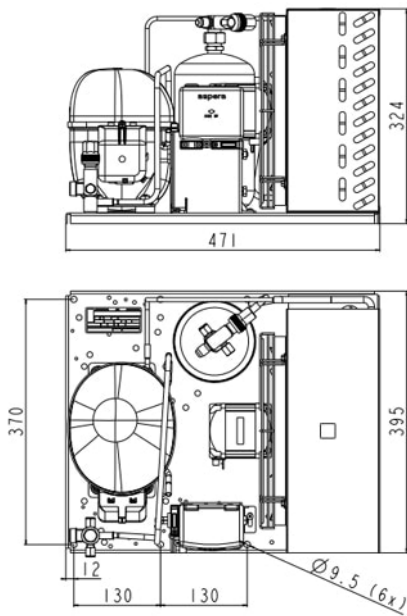
Evaporating Temperature °C	Cooling Capacity W	Power Consumption W	Current A	Efficiency W/W
-20	466	598	3	0.78
-15	630	651	3.25	0.97
-10	801	716	3.55	1.12
-5	986	791	3.9	1.25
0	1193	878	4.31	1.36
5	1428	977	4.77	1.46
10	1697	1087	5.29	1.56

Test Condition: EN13215_SH10, M/HBP

Operating Envelope



External Dimensions



Wiring Diagram

