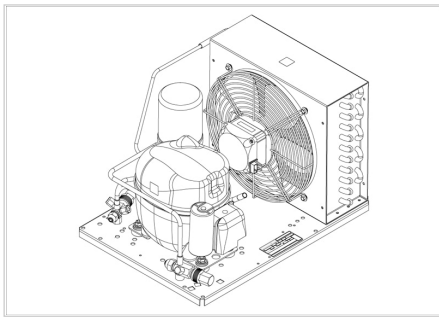


MODEL

UNEK6214Z

embraco





APPROVALS




 **ENGINEERING CODE**
559HA5212AA

 **APPROVED REFRIGERANT**
R513A

 **POWER SUPPLY**
220 - 240V 50Hz ~

 **STANDARD CONDITIONS**
EN13215_SH10

 **APPLICATION**
M/HBP

 **COOLING CAPACITY**
771 W

 **EFFICIENCY**
1.36 W/W

DATA

General Data

Weight	21.7 Kg
Receiver	1.1 L
Height	296 mm
Length	465 mm
Width	340 mm
Power Supply	220 - 240 V 50 Hz

Electrical Data

Motor Type	CSIR
Locked Rotor Amperage (LRA)	21.2 A
Max Current	5.17 A

Spare Parts

Condenser	3R11T	2451206
Valve Suction	FLARE 3/8"	2110024
Valve Discharge	FLARE 1/4"	2110025
Compressor	NEK6214Z	269JA51..AN
Electrical Kit	ELKOM NEK6214Z	269JA51N1A
Fan Kit	16W 254/28°/5B	1996579

Noise Data

Sound Power Level	65 dB (A)	-	-
Sound Pressure Level	at 1 m	at 5 m	at 10 m
	57 dB (A)	43 dB (A)	37 dB (A)

Fan Motor

Number	1
Shaft Power	16 W
Air Flow	595 m³/h
Blade diameter	254 mm

PERFORMANCE

Rated Points

Ambient Temperature	Cooling Capacity	Power Consumption	Current	Efficiency
32.00°C	771 W	567 W	4.51 A	1.36 W/W

Test Condition: EN13215_SH10, Return Gas 0 °C, Subcooling 3K , Evaporation -10.00°C, Condensing 0 °C, Ambient 32.00°C

Performance Curve Data

Ambient Temperature 25°C

Evaporating Temperature °C	Cooling Capacity W	Power Consumption W	Current A	Efficiency W/W
-15	712	500	4.28	1.43
-10	861	553	4.39	1.56
-5	1028	612	4.53	1.68
0	1216	676	4.7	1.8
5	1425	744	4.89	1.91
10	1657	818	5.11	2.03

Test Condition: EN13215_SH10, M/HBP

Ambient Temperature 32°C

Evaporating Temperature °C	Cooling Capacity W	Power Consumption W	Current A	Efficiency W/W
-15	638	513	4.4	1.24
-10	771	567	4.51	1.36
-5	923	627	4.64	1.47
0	1095	691	4.81	1.58
5	1289	761	5	1.69
10	1504	836	5.22	1.8

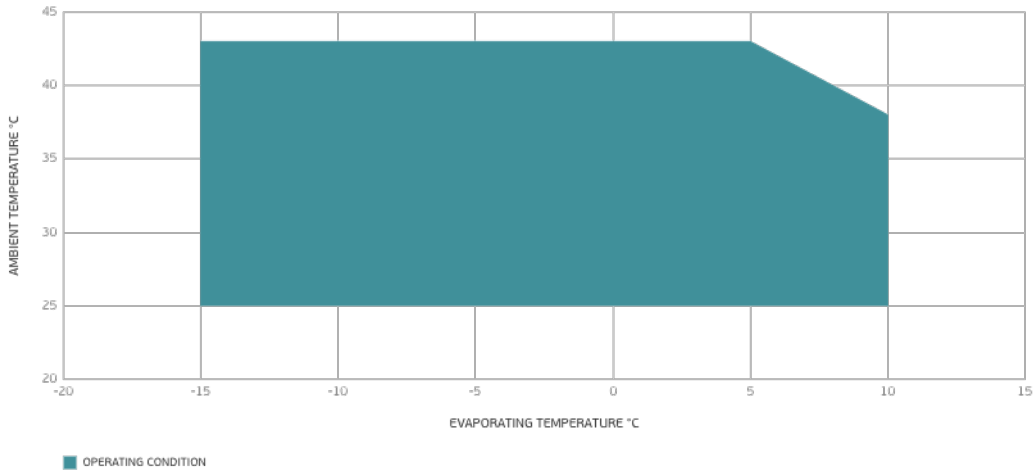
Test Condition: EN13215_SH10, M/HBP

Ambient Temperature 43°C

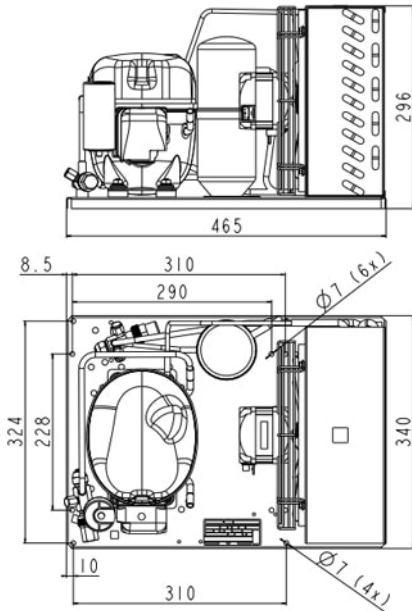
Evaporating Temperature °C	Cooling Capacity W	Power Consumption W	Current A	Efficiency W/W
-15	503	531	4.35	0.95
-10	621	594	4.51	1.04
-5	756	664	4.69	1.14
0	911	739	4.91	1.23
5	1086	819	5.15	1.33
10	1283	904	5.43	1.42

Test Condition: EN13215_SH10, M/HBP

Operating Envelope



External Dimensions



Wiring Diagram

