




APPROVALS




 **ENGINEERING CODE**
559HA5212AA

 **APPROVED REFRIGERANT**
R134a

 **POWER SUPPLY**
220 - 240V 50Hz ~

 **STANDARD CONDITIONS**
EN13215_SH10

 **APPLICATION**
M/HBP

 **COOLING CAPACITY**
731 W

 **EFFICIENCY**
1.37 W/W

DATA

General Data

Weight	21.7 Kg
Receiver	1.1 L
Height	296 mm
Length	465 mm
Width	340 mm
Power Supply	220 - 240 V 50 Hz

Electrical Data

Motor Type	CSIR
Locked Rotor Amperage (LRA)	21.2 A
Max Current	5.17 A

Spare Parts

Condenser	3R11T	2451206
Valve Suction	FLARE 3/8"	2110024
Valve Discharge	FLARE 1/4"	2110025
Compressor	NEK6214Z	269JA51..AN
Electrical Kit	ELKOM NEK6214Z	269JA51N1A
Fan Kit	16W 254/28°/5B	1996579

Noise Data

Sound Power Level	65 dB (A)	-	-
Sound Pressure Level	at 1 m	at 5 m	at 10 m
	57 dB (A)	43 dB (A)	37 dB (A)

Fan Motor

Number	1
Shaft Power	16 W
Air Flow	595 m ³ /h
Blade diameter	254 mm

PERFORMANCE

Rated Points

Ambient Temperature	Cooling Capacity	Power Consumption	Current	Efficiency
32.00°C	731 W	532 W	4.23 A	1.37 W/W

Test Condition: EN13215_SH10, Return Gas 0 °C, Subcooling 3K , Evaporation -10.00°C, Condensing 0 °C, Ambient 32.00°C

Performance Curve Data

Ambient Temperature 25°C

Evaporating Temperature °C	Cooling Capacity W	Power Consumption W	Current A	Efficiency W/W
-15	655	467	4	1.4
-10	810	516	4.1	1.57
-5	986	572	4.24	1.72
0	1185	636	4.42	1.86
5	1407	706	4.63	1.99
10	1655	782	4.89	2.12

Test Condition: EN13215_SH10, M/HBP

Ambient Temperature 32°C

Evaporating Temperature °C	Cooling Capacity W	Power Consumption W	Current A	Efficiency W/W
-15	590	482	4.13	1.22
-10	731	532	4.23	1.37
-5	891	590	4.37	1.51
0	1073	655	4.55	1.64
5	1277	727	4.78	1.76
10	1505	806	5.03	1.87

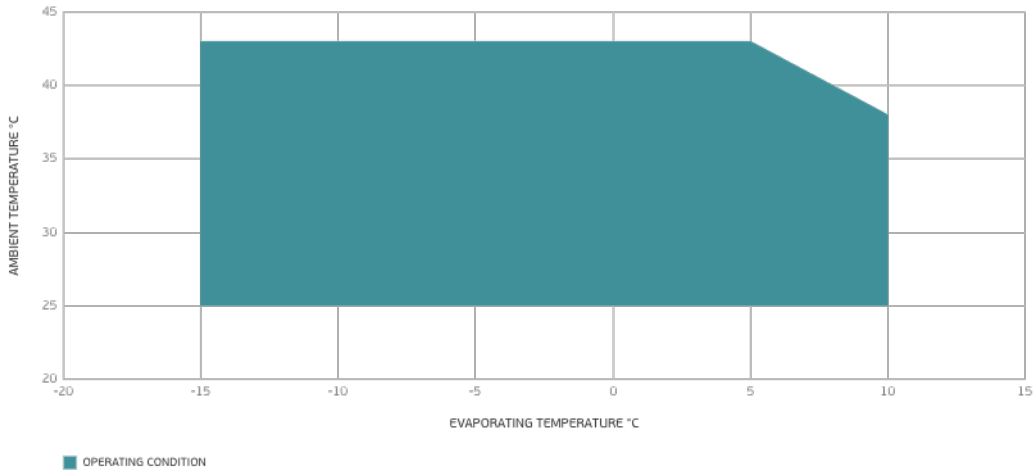
Test Condition: EN13215_SH10, M/HBP

Ambient Temperature 43°C

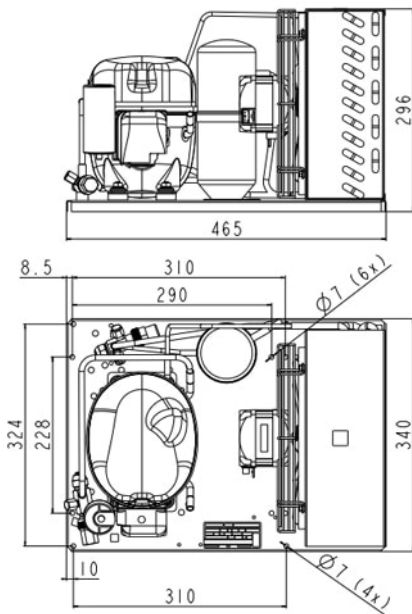
Evaporating Temperature °C	Cooling Capacity W	Power Consumption W	Current A	Efficiency W/W
-15	470	501	4.1	0.94
-10	593	561	4.26	1.06
-5	732	630	4.45	1.16
0	891	706	4.69	1.26
5	1070	790	4.97	1.36
10	1271	880	5.28	1.44

Test Condition: EN13215_SH10, M/HBP

Operating Envelope



External Dimensions



Wiring Diagram

