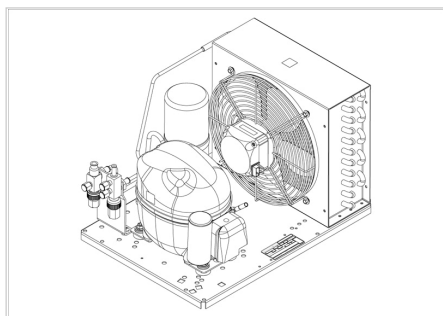


MODEL

UNEK6213GK

embraco



APPROVALS



ENGINEERING CODE

659BA8212AA

APPROVED REFRIGERANT

R449A

POWER SUPPLY

220 - 240V 50Hz ~

STANDARD CONDITIONS

EN13215_SH10

APPLICATION

M/HBP

COOLING CAPACITY

790 W

EFFICIENCY

1.28 W/W

DATA

General Data

| | |
|--------------|-------------------|
| Weight | 22.6 Kg |
| Receiver | 1.1 L |
| Height | 296 mm |
| Length | 465 mm |
| Width | 340 mm |
| Power Supply | 220 - 240 V 50 Hz |

Electrical Data

| | |
|-----------------------------|--------|
| Motor Type | CSIR |
| Locked Rotor Amperage (LRA) | 19.3 A |
| Max Current | 5.97 A |

Spare Parts

| | | |
|-----------------|-----------------|-------------|
| Condenser | 3R11T | 2451206 |
| Valve Suction | FLARE 3/8" | 2110059 |
| Valve Discharge | FLARE 1/4" | 2110085 |
| Compressor | NEK6213GK | 959BA51..AN |
| Electrical Kit | ELKOM NEK6213GK | 959BA51N1A |
| Fan Kit | 16W 254/28°/5B | 1996579 |

Noise Data

| | | | |
|----------------------|--------------------|--------------------|--------------------|
| Sound Power Level | 65.64 dB (A) | - | - |
| Sound Pressure Level | at 1 m | at 5 m | at 10 m |
| | 57.63575881 dB (A) | 43.65635873 dB (A) | 37.63575881 dB (A) |

Fan Motor

| | |
|----------------|-----------------------|
| Number | 1 |
| Shaft Power | 16 W |
| Air Flow | 595 m ³ /h |
| Blade diameter | 254 mm |

PERFORMANCE

Rated Points

| Ambient Temperature | Cooling Capacity | Power Consumption | Current | Efficiency |
|---------------------|------------------|-------------------|---------|------------|
| 32.00°C | 790 W | 615 W | 3.87 A | 1.28 W/W |

Test Condition: EN13215_SH10, Return Gas 0 °C, Subcooling 3K , Evaporation -10.00°C, Condensing 0 °C, Ambient 32.00°C

Performance Curve Data

Ambient Temperature 25°C

| Evaporating Temperature °C | Cooling Capacity W | Power Consumption W | Current A | Efficiency W/W |
|----------------------------|--------------------|---------------------|-----------|----------------|
| -20 | 532 | 490 | 3.35 | 1.09 |
| -15 | 691 | 542 | 3.53 | 1.28 |
| -10 | 864 | 600 | 3.74 | 1.44 |
| -5 | 1054 | 664 | 3.98 | 1.59 |
| 0 | 1265 | 734 | 4.25 | 1.72 |
| 5 | 1505 | 812 | 4.57 | 1.85 |
| 10 | 1775 | 896 | 4.92 | 1.98 |

Test Condition: EN13215_SH10, M/HBP

Ambient Temperature 32°C

| Evaporating Temperature °C | Cooling Capacity W | Power Consumption W | Current A | Efficiency W/W |
|----------------------------|--------------------|---------------------|-----------|----------------|
| -20 | 475 | 506 | 3.51 | 0.94 |
| -15 | 628 | 557 | 3.67 | 1.13 |
| -10 | 790 | 615 | 3.87 | 1.28 |
| -5 | 966 | 682 | 4.11 | 1.42 |
| 0 | 1161 | 757 | 4.39 | 1.53 |
| 5 | 1380 | 841 | 4.73 | 1.64 |
| 10 | 1627 | 935 | 5.12 | 1.74 |

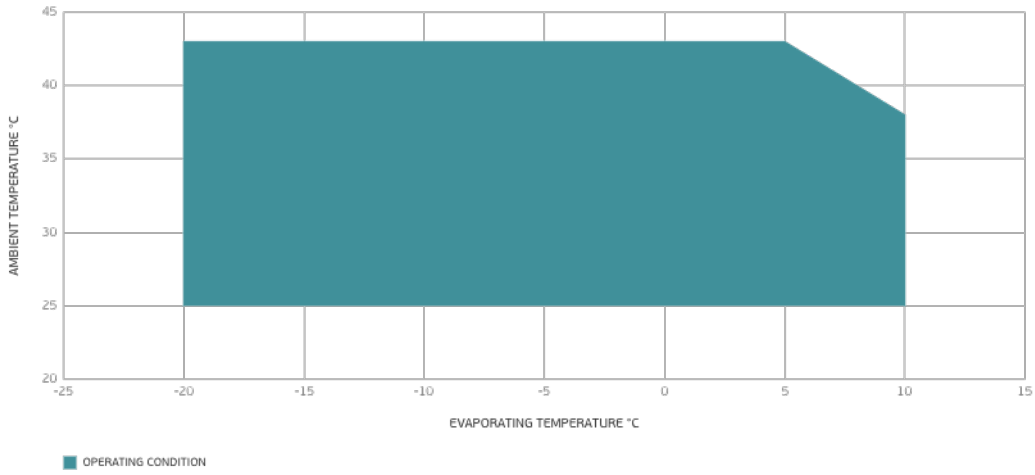
Test Condition: EN13215_SH10, M/HBP

Ambient Temperature 43°C

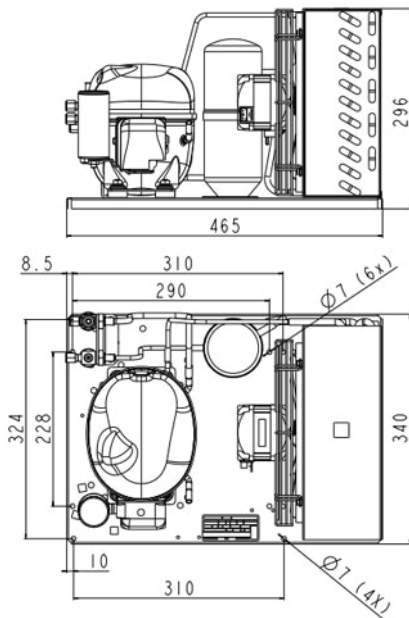
| Evaporating Temperature °C | Cooling Capacity W | Power Consumption W | Current A | Efficiency W/W |
|----------------------------|--------------------|---------------------|-----------|----------------|
| -20 | 364 | 537 | 3.55 | 0.68 |
| -15 | 499 | 592 | 3.75 | 0.84 |
| -10 | 640 | 659 | 4.01 | 0.97 |
| -5 | 789 | 737 | 4.32 | 1.07 |
| 0 | 953 | 828 | 4.7 | 1.15 |
| 5 | 1135 | 931 | 5.13 | 1.22 |
| 10 | 1341 | 1046 | 5.64 | 1.28 |

Test Condition: EN13215_SH10, M/HBP

Operating Envelope



External Dimensions



Wiring Diagram

