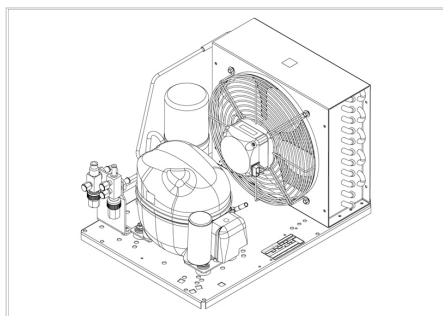


MODEL

**UNEK6213GK**

embraco



APPROVALS



 **ENGINEERING CODE**

659BA8212AA

 **APPROVED REFRIGERANT**

R452A

 **POWER SUPPLY**

220 - 240V 50Hz ~

 **STANDARD CONDITIONS**

EN13215\_SH10

 **APPLICATION**

M/HBP

 **COOLING CAPACITY**

890 W

 **EFFICIENCY**

1.34 W/W

DATA

## General Data

Weight	22.6 Kg
Receiver	1.1 L
Height	296 mm
Length	465 mm
Width	340 mm
Power Supply	220 - 240 V 50 Hz

## Electrical Data

Motor Type	CSIR
Locked Rotor Amperage (LRA)	19.3 A
Max Current	5.97 A

## Spare Parts

Condenser	3R11T	2451206
Valve Suction	FLARE 3/8"	2110059
Valve Discharge	FLARE 1/4"	2110085
Compressor	NEK6213GK	959BA51..AN
Electrical Kit	ELKOM NEK6213GK	959BA51N1A
Fan Kit	16W 254/28°/5B	1996579

## Noise Data

Sound Power Level	65.64 dB (A)	-	-
Sound Pressure Level	at 1 m	at 5 m	at 10 m
	57.63575881 dB (A)	43.65635873 dB (A)	37.63575881 dB (A)

## Fan Motor

Number	1
Shaft Power	16 W
Air Flow	595 m <sup>3</sup> /h
Blade diameter	254 mm

## PERFORMANCE

## Rated Points

Ambient Temperature	Cooling Capacity	Power Consumption	Current	Efficiency
32.00°C	890 W	664 W	4.24 A	1.34 W/W

Test Condition: EN13215\_SH10, Return Gas 0 °C, Subcooling 3K , Evaporation -10.00°C, Condensing 0 °C, Ambient 32.00°C

## Performance Curve Data

Ambient Temperature 25°C

Evaporating Temperature °C	Cooling Capacity W	Power Consumption W	Current A	Efficiency W/W
-20	655	516	3.55	1.27
-15	820	579	3.78	1.42
-10	994	649	4.03	1.53
-5	1182	728	4.33	1.62
0	1384	816	4.67	1.7
5	1604	913	5.07	1.76
10	1844	1018	5.51	1.81

Test Condition: EN13215\_SH10, M/HBP

Ambient Temperature 32°C

Evaporating Temperature °C	Cooling Capacity W	Power Consumption W	Current A	Efficiency W/W
-20	568	536	3.78	1.06
-15	723	596	4	1.21
-10	890	664	4.24	1.34
-5	1072	741	4.52	1.45
0	1272	828	4.84	1.54
5	1492	924	5.21	1.61
10	1735	1030	5.63	1.68

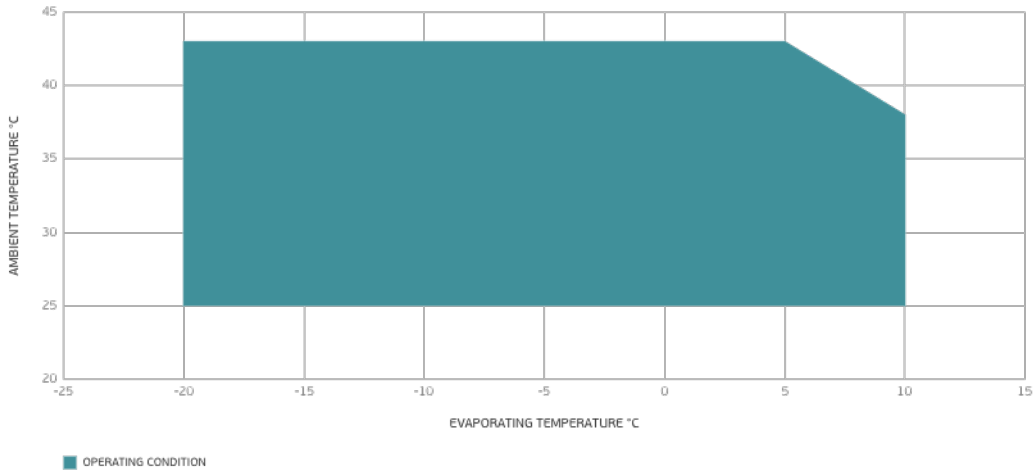
Test Condition: EN13215\_SH10, M/HBP

Ambient Temperature 43°C

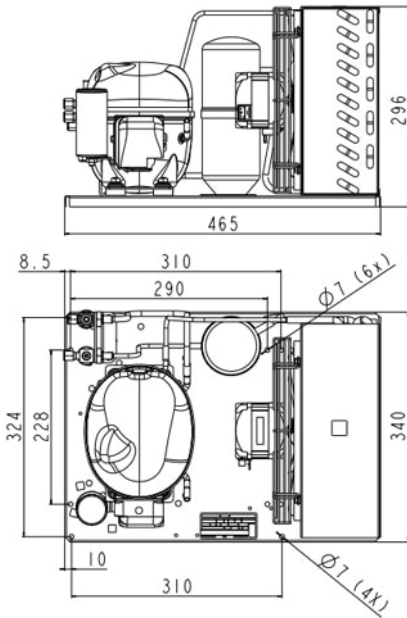
Evaporating Temperature °C	Cooling Capacity W	Power Consumption W	Current A	Efficiency W/W
-20	427	571	3.79	0.75
-15	546	637	4.05	0.86
-10	681	713	4.34	0.96
-5	836	799	4.65	1.05
0	1014	895	5	1.13
5	1215	1002	5.38	1.21
10	1444	1119	5.82	1.29

Test Condition: EN13215\_SH10, M/HBP

## Operating Envelope



## External Dimensions



## Wiring Diagram

