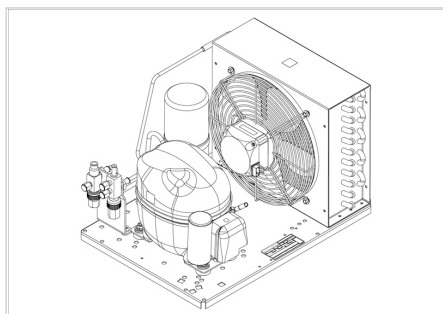


MODEL

UNEK6213GK

embraco



APPROVALS

CE

 ECODESIGN
COMPLIANT

ENGINEERING CODE

659BA8212AA

APPROVED REFRIGERANT

R404A

POWER SUPPLY

220 - 240V 50Hz ~

STANDARD CONDITIONS

EN13215_SH10

APPLICATION

M/HBP

COOLING CAPACITY

882 W

EFFICIENCY

1.31 W/W

DATA

General Data

Weight	22.6 Kg
Receiver	1.1 L
Height	296 mm
Length	465 mm
Width	340 mm
Power Supply	220 - 240 V 50 Hz

Electrical Data

Motor Type	CSIR
Locked Rotor Amperage (LRA)	19.3 A
Max Current	5.97 A

Spare Parts

Condenser	3R11T	2451206
Valve Suction	FLARE 3/8"	2110059
Valve Discharge	FLARE 1/4"	2110085
Compressor	NEK6213GK	959BA51..AN
Electrical Kit	ELKOM NEK6213GK	959BA51N1A
Fan Kit	16W 254/28°/5B	1996579

Noise Data

Sound Power Level	65.64 dB (A)	-	-
Sound Pressure Level	at 1 m	at 5 m	at 10 m
	57.63575881 dB (A)	43.65635873 dB (A)	37.63575881 dB (A)

Fan Motor

Number	1
Shaft Power	16 W
Air Flow	595 m³/h
Blade diameter	254 mm

PERFORMANCE

Rated Points

Ambient Temperature	Cooling Capacity	Power Consumption	Current	Efficiency
32.00°C	882 W	673 W	4.23 A	1.31 W/W

Test Condition: EN13215_SH10, Return Gas 0 °C, Subcooling 3K , Evaporation -10.00°C, Condensing 0 °C, Ambient 32.00°C

Performance Curve Data

Ambient Temperature 25°C

Evaporating Temperature °C	Cooling Capacity W	Power Consumption W	Current A	Efficiency W/W
-20	644	537	3.67	1.2
-15	806	591	3.85	1.36
-10	980	654	4.07	1.5
-5	1168	724	4.34	1.61
0	1370	801	4.64	1.71
5	1586	887	4.99	1.79
10	1816	981	5.39	1.85

Test Condition: EN13215_SH10, M/HBP

Ambient Temperature 32°C

Evaporating Temperature °C	Cooling Capacity W	Power Consumption W	Current A	Efficiency W/W
-20	576	556	3.85	1.04
-15	723	610	4.02	1.18
-10	882	673	4.23	1.31
-5	1054	744	4.48	1.42
0	1238	824	4.78	1.5
5	1437	911	5.12	1.58
10	1649	1008	5.52	1.63

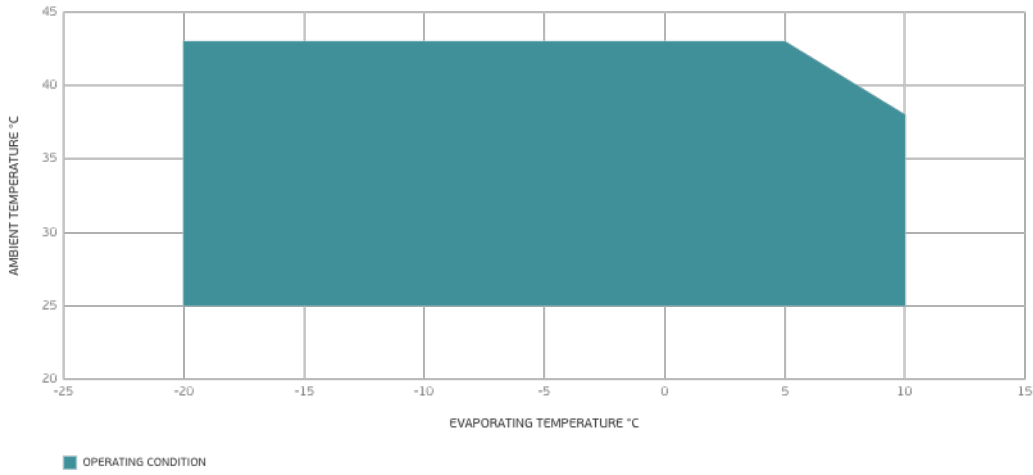
Test Condition: EN13215_SH10, M/HBP

Ambient Temperature 43°C

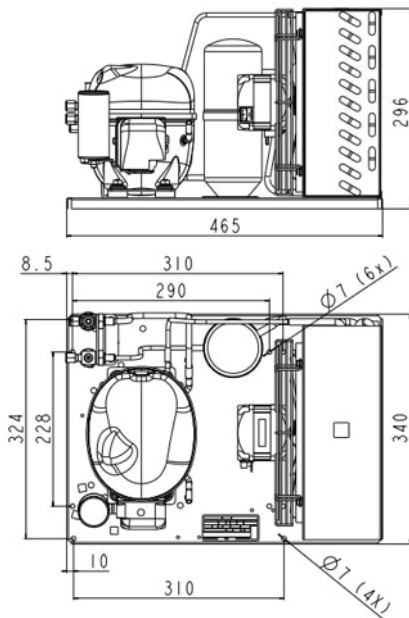
Evaporating Temperature °C	Cooling Capacity W	Power Consumption W	Current A	Efficiency W/W
-20	429	593	3.92	0.72
-15	556	652	4.13	0.85
-10	693	720	4.38	0.96
-5	843	798	4.68	1.06
0	1004	885	5.02	1.13
5	1178	982	5.41	1.2
10	1365	1088	5.86	1.25

Test Condition: EN13215_SH10, M/HBP

Operating Envelope



External Dimensions



Wiring Diagram

