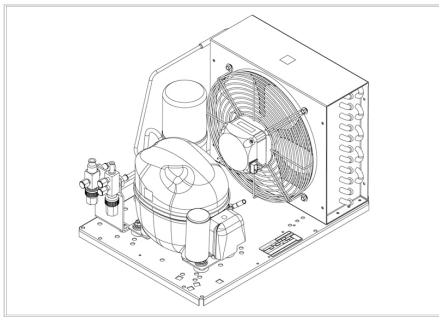


MODEL


UNEK6210GK

embraco





APPROVALS




 **ENGINEERING CODE**
674CA8212AA


 **APPROVED REFRIGERANT**
R452A

 **POWER SUPPLY**
220 - 240V 50Hz ~

 **STANDARD CONDITIONS**
EN13215_SH10

 **APPLICATION**
M/HBP

 **COOLING CAPACITY**
660 W

 **EFFICIENCY**
1.36 W/W

DATA

General Data

Weight	21.4 Kg
Receiver	1.1 L
Height	296 mm
Length	465 mm
Width	340 mm
Power Supply	220 - 240 V 50 Hz

Electrical Data

Motor Type	CSIR
Locked Rotor Amperage (LRA)	16.1 A
Max Current	3.91 A

Spare Parts

Condenser	3R11T	2451206
Valve Suction	FLARE 3/8"	2110059
Valve Discharge	FLARE 1/4"	2110085
Compressor	NEK6210GK	958CA51..AM
Electrical Kit	ELKOM NEK6210GK	958CA51N1A
Fan Kit	16W 254/28°/5B	1996610

Noise Data

Sound Power Level	65.1 dB (A)	-	-
Sound Pressure Level	at 1 m	at 5 m	at 10 m
	57.1 dB (A)	43.1 dB (A)	37.1 dB (A)

Fan Motor

Number	1
Shaft Power	16 W
Air Flow	595 m³/h
Blade diameter	254 mm

PERFORMANCE

Rated Points

Ambient Temperature	Cooling Capacity	Power Consumption	Current	Efficiency
32.00°C	660 W	484 W	3.22 A	1.36 W/W

Test Condition: EN13215_SH10, Return Gas 0 °C, Subcooling 3K , Evaporation -10.00°C, Condensing 0 °C, Ambient 32.00°C

Performance Curve Data

Ambient Temperature 25°C

Evaporating Temperature °C	Cooling Capacity W	Power Consumption W	Current A	Efficiency W/W
-20	474	375	2.74	1.27
-15	607	416	2.9	1.46
-10	753	459	3.06	1.64
-5	914	505	3.24	1.81
0	1092	553	3.43	1.97
5	1288	605	3.65	2.13
10	1504	661	3.89	2.28

Test Condition: EN13215_SH10, M/HBP

Ambient Temperature 32°C

Evaporating Temperature °C	Cooling Capacity W	Power Consumption W	Current A	Efficiency W/W
-20	415	398	2.9	1.04
-15	530	439	3.05	1.21
-10	660	484	3.22	1.36
-5	806	531	3.4	1.52
0	970	583	3.6	1.66
5	1154	639	3.81	1.81
10	1360	699	4.06	1.94

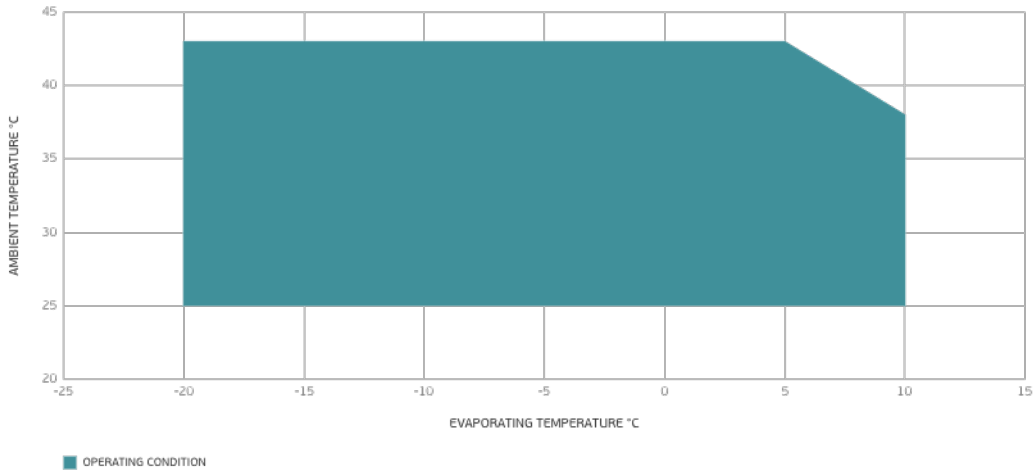
Test Condition: EN13215_SH10, M/HBP

Ambient Temperature 43°C

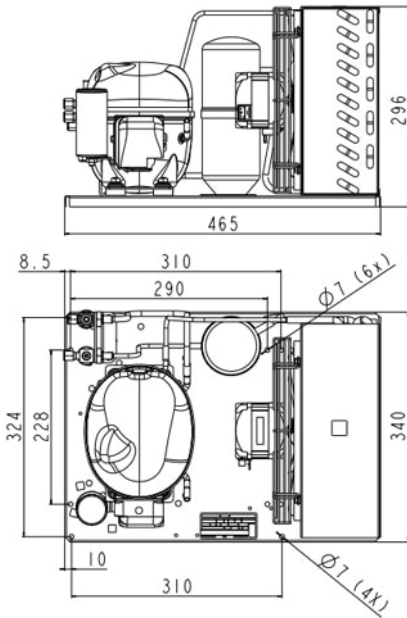
Evaporating Temperature °C	Cooling Capacity W	Power Consumption W	Current A	Efficiency W/W
-20	314	429	2.93	0.73
-15	398	473	3.11	0.84
-10	499	522	3.3	0.96
-5	618	577	3.51	1.07
0	758	637	3.73	1.19
5	919	702	3.97	1.31
10	1105	774	4.24	1.43

Test Condition: EN13215_SH10, M/HBP

Operating Envelope



External Dimensions



Wiring Diagram

