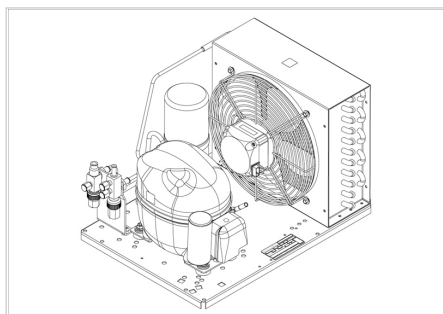


MODEL

UNEK6181GK

embraco



APPROVALS



 **ENGINEERING CODE**

557MA8212AA

 **APPROVED REFRIGERANT**

R449A

 **POWER SUPPLY**

220 - 240V 50Hz ~

 **STANDARD CONDITIONS**

EN13215_SH10

 **APPLICATION**

M/HBP

 **COOLING CAPACITY**

524 W

 **EFFICIENCY**

1.32 W/W

DATA

General Data

Weight	21 Kg
Receiver	1.1 L
Height	296 mm
Length	465 mm
Width	340 mm
Power Supply	220 - 240 V 50 Hz

Electrical Data

Motor Type	CSIR
Locked Rotor Amperage (LRA)	12 A
Max Current	2.7 A

Spare Parts

Condenser	3R11T	2451206
Valve Suction	FLARE 3/8"	2110059
Valve Discharge	FLARE 1/4"	2110085
Compressor	NEK6181GK	957MA51..AN
Electrical Kit	ELKOM NEK6181GK	957MA51N1A
Fan Kit	16W 254/28°/5B	1996610

Noise Data

Sound Power Level	64.3 dB (A)	-	-
Sound Pressure Level	at 1 m	at 5 m	at 10 m
	56.30379466 dB (A)	42.32439457 dB (A)	36.30379466 dB (A)

Fan Motor

Number	1
Shaft Power	16 W
Air Flow	595 m ³ /h
Blade diameter	254 mm

PERFORMANCE

Rated Points

Ambient Temperature	Cooling Capacity	Power Consumption	Current	Efficiency
32.00°C	524 W	396 W	2.58 A	1.32 W/W

Test Condition: EN13215_SH10, Return Gas 0 °C, Subcooling 3K , Evaporation -10.00°C, Condensing 0 °C, Ambient 32.00°C

Performance Curve Data

Ambient Temperature 25°C

Evaporating Temperature °C	Cooling Capacity W	Power Consumption W	Current A	Efficiency W/W
-20	336	326	2.34	1.03
-15	440	353	2.44	1.25
-10	558	381	2.53	1.46
-5	695	409	2.63	1.7
0	857	438	2.74	1.96
5	1051	466	2.84	2.26
10	1282	493	2.94	2.6

Test Condition: EN13215_SH10, M/HBP

Ambient Temperature 32°C

Evaporating Temperature °C	Cooling Capacity W	Power Consumption W	Current A	Efficiency W/W
-20	309	337	2.39	0.92
-15	411	365	2.48	1.13
-10	524	396	2.58	1.32
-5	654	429	2.69	1.52
0	805	463	2.82	1.74
5	985	499	2.95	1.97
10	1198	535	3.09	2.24

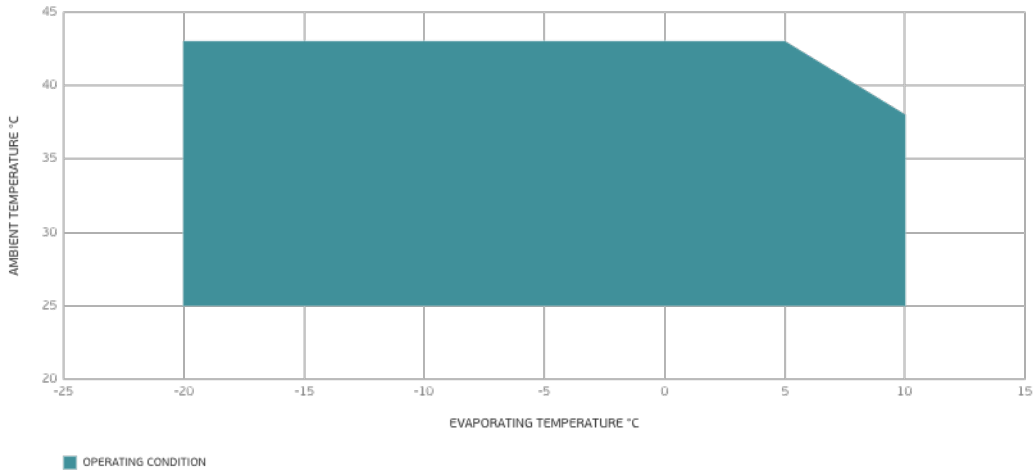
Test Condition: EN13215_SH10, M/HBP

Ambient Temperature 43°C

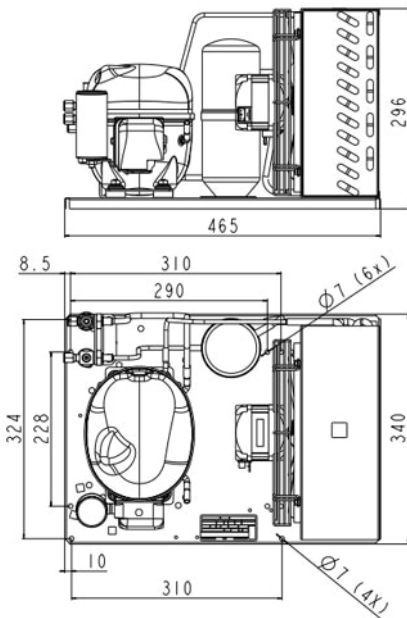
Evaporating Temperature °C	Cooling Capacity W	Power Consumption W	Current A	Efficiency W/W
-20	259	348	2.39	0.75
-15	361	384	2.52	0.94
-10	469	425	2.67	1.1
-5	588	471	2.85	1.25
0	723	521	3.05	1.39
5	882	575	3.27	1.53
10	1069	631	3.52	1.69

Test Condition: EN13215_SH10, M/HBP

Operating Envelope



External Dimensions



Wiring Diagram

