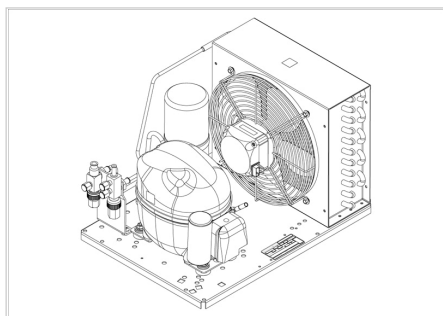


MODEL

**UNEK6181GK**

embraco





APPROVALS



 **ENGINEERING CODE**  
557MA8212AA

 **APPROVED REFRIGERANT**  
R404A

 **POWER SUPPLY**  
220 - 240V 50Hz ~

 **STANDARD CONDITIONS**  
EN13215\_SH10

 **APPLICATION**  
M/HBP

 **COOLING CAPACITY**  
586 W

 **EFFICIENCY**  
1.35 W/W

DATA

## General Data

Weight	21 Kg
Receiver	1.1 L
Height	296 mm
Length	465 mm
Width	340 mm
Power Supply	220 - 240 V 50 Hz

## Electrical Data

Motor Type	CSIR
Locked Rotor Amperage (LRA)	12 A
Max Current	2.7 A

## Spare Parts

Condenser	3R11T	2451206
Valve Suction	FLARE 3/8"	2110059
Valve Discharge	FLARE 1/4"	2110085
Compressor	NEK6181GK	957MA51..AN
Electrical Kit	ELKOM NEK6181GK	957MA51N1A
Fan Kit	16W 254/28°/5B	1996610

## Noise Data

Sound Power Level	64.3 dB (A)	-	-
Sound Pressure Level	at 1 m	at 5 m	at 10 m
	56.30379466 dB (A)	42.32439457 dB (A)	36.30379466 dB (A)

## Fan Motor

Number	1
Shaft Power	16 W
Air Flow	595 m <sup>3</sup> /h
Blade diameter	254 mm

## PERFORMANCE

## Rated Points

Ambient Temperature	Cooling Capacity	Power Consumption	Current	Efficiency
32.00°C	586 W	433 W	2.82 A	1.35 W/W

Test Condition: EN13215\_SH10, Return Gas 0 °C, Subcooling 3K , Evaporation -10.00°C, Condensing 0 °C, Ambient 32.00°C

## Performance Curve Data

Ambient Temperature 25°C

Evaporating Temperature °C	Cooling Capacity W	Power Consumption W	Current A	Efficiency W/W
-20	407	357	2.56	1.14
-15	513	385	2.66	1.33
-10	633	415	2.76	1.53
-5	771	446	2.87	1.73
0	928	477	2.98	1.94
5	1107	509	3.1	2.18
10	1311	540	3.23	2.43

Test Condition: EN13215\_SH10, M/HBP

Ambient Temperature 32°C

Evaporating Temperature °C	Cooling Capacity W	Power Consumption W	Current A	Efficiency W/W
-20	375	370	2.62	1.01
-15	473	400	2.72	1.18
-10	586	433	2.82	1.35
-5	713	468	2.94	1.52
0	859	504	3.06	1.7
5	1025	540	3.2	1.9
10	1213	577	3.34	2.1

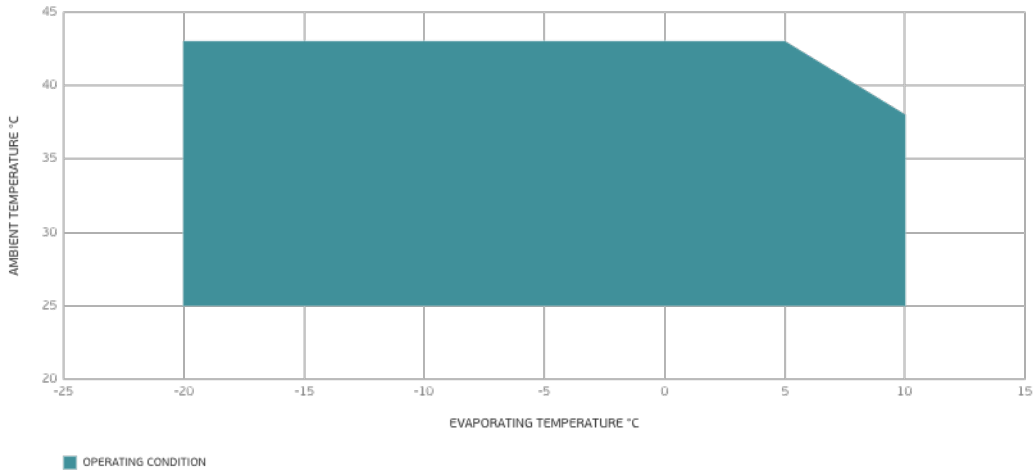
Test Condition: EN13215\_SH10, M/HBP

Ambient Temperature 43°C

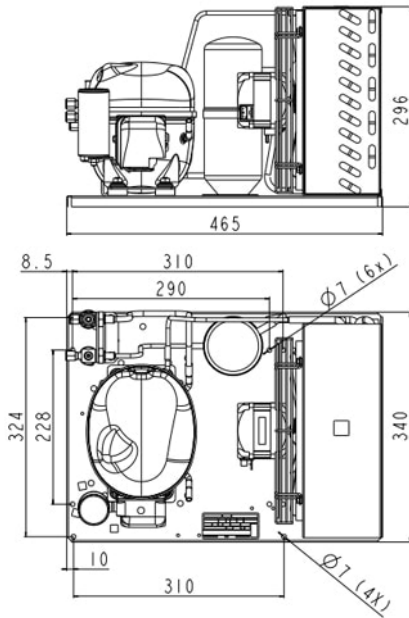
Evaporating Temperature °C	Cooling Capacity W	Power Consumption W	Current A	Efficiency W/W
-20	305	384	2.64	0.8
-15	401	422	2.77	0.95
-10	508	465	2.92	1.09
-5	628	510	3.08	1.23
0	763	557	3.26	1.37
5	915	606	3.45	1.51
10	1088	656	3.66	1.66

Test Condition: EN13215\_SH10, M/HBP

## Operating Envelope



## External Dimensions



## Wiring Diagram

