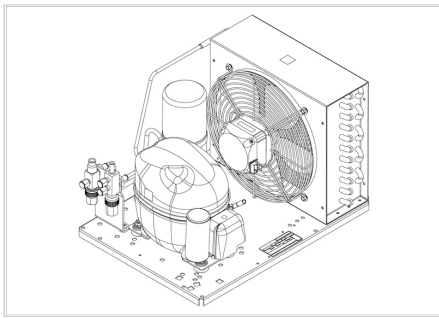


MODEL

UNEK2150GK

embraco





APPROVALS




 **ENGINEERING CODE**
559AA8212AA

 **APPROVED REFRIGERANT**
R404A

 **POWER SUPPLY**
220 - 240V 50Hz ~

 **STANDARD CONDITIONS**
EN13215_SH10

 **APPLICATION**
LBP

 **COOLING CAPACITY**
258 W

 **EFFICIENCY**
0.63 W/W

DATA

General Data

Weight	21.6 Kg
Receiver	1.1 L
Height	296 mm
Length	465 mm
Width	340 mm
Power Supply	220 - 240 V 50 Hz

Electrical Data

Motor Type	CSIR
Locked Rotor Amperage (LRA)	19.5 A
Max Current	3.52 A

Spare Parts

Condenser	3R11T	2451206
Valve Suction	FLARE 3/8"	2110059
Valve Discharge	FLARE 1/4"	2110085
Compressor	NEK2150GK	959AA51..AM
Electrical Kit	ELKOM NEK2150GK	959AA51N1A
Fan Kit	16W 254/28°/5B	1996579

Noise Data

Sound Power Level	64.3 dB (A)	-	-
Sound Pressure Level	at 1 m	at 5 m	at 10 m
	56.3 dB (A)	42.4 dB (A)	36.3 dB (A)

Fan Motor

Number	1
Shaft Power	16 W
Air Flow	595 m ³ /h
Blade diameter	254 mm

PERFORMANCE

Rated Points

Ambient Temperature	Cooling Capacity	Power Consumption	Current	Efficiency
32.00°C	258 W	412 W	0.86 A	0.63 W/W

Test Condition: EN13215_SH10, Return Gas 0 °C, Subcooling 3K , Evaporation -35.00°C, Condensing 0 °C, Ambient 32.00°C

Performance Curve Data

Ambient Temperature 25°C

Evaporating Temperature °C	Cooling Capacity W	Power Consumption W	Current A	Efficiency W/W
-40	218	353	0.7	0.62
-35	319	400	0.84	0.8
-30	420	449	0.95	0.93
-25	526	503	1.04	1.05
-20	643	561	1.13	1.15
-15	777	624	1.22	1.25
-10	934	692	1.31	1.35

Test Condition: EN13215_SH10, LBP

Ambient Temperature 32°C

Evaporating Temperature °C	Cooling Capacity W	Power Consumption W	Current A	Efficiency W/W
-40	161	369	0.72	0.44
-35	258	412	0.86	0.63
-30	355	460	0.97	0.77
-25	460	513	1.06	0.9
-20	577	572	1.15	1.01
-15	713	637	1.24	1.12
-10	874	708	1.33	1.23

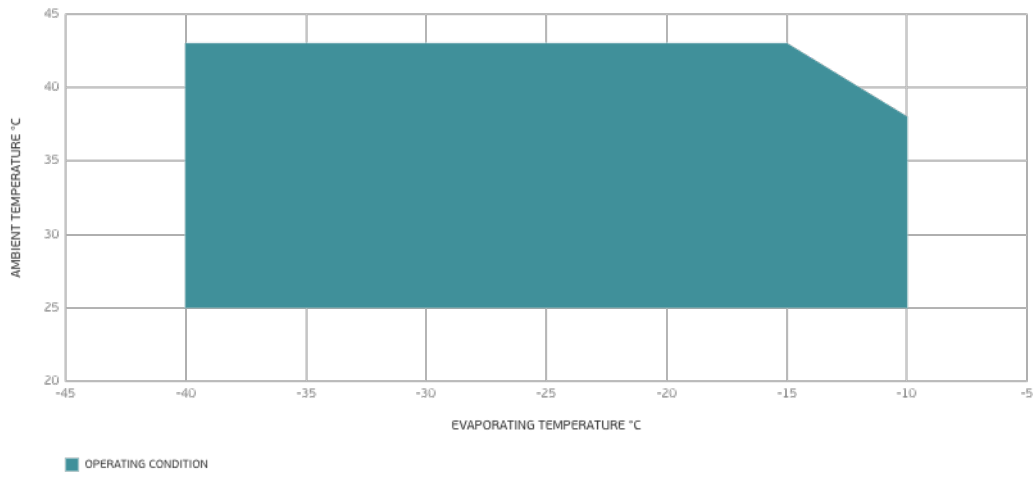
Test Condition: EN13215_SH10, LBP

Ambient Temperature 43°C

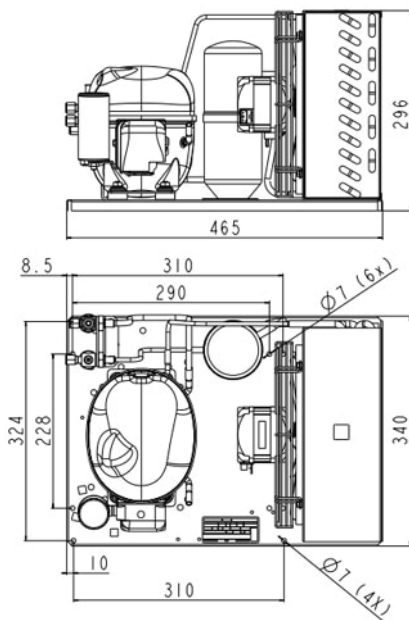
Evaporating Temperature °C	Cooling Capacity W	Power Consumption W	Current A	Efficiency W/W
-40	144	389	0.77	0.37
-35	207	434	0.92	0.48
-30	275	485	1.04	0.57
-25	353	544	1.14	0.65
-20	446	610	1.23	0.73
-15	562	684	1.32	0.82
-10	705	766	1.42	0.92

Test Condition: EN13215_SH10, LBP

Operating Envelope



External Dimensions



Wiring Diagram

