


APPROVALS



 **ENGINEERING CODE**  
558AA8212AA

 **APPROVED REFRIGERANT**  
R452A

 **POWER SUPPLY**  
220 - 240V 50Hz ~

 **STANDARD CONDITIONS**  
EN13215\_SH10

 **APPLICATION**  
LBP

 **COOLING CAPACITY**  
181 W

 **EFFICIENCY**  
0.63 W/W

DATA

### General Data

Weight	20 Kg
Receiver	1.1 L
Height	296 mm
Length	465 mm
Width	340 mm
Power Supply	220 - 240 V 50 Hz

### Electrical Data

Motor Type	CSIR
Locked Rotor Amperage (LRA)	16.1 A
Max Current	2.77 A

## Spare Parts

Condenser	3R11T	2451206
Valve Suction	FLARE 3/8"	2110059
Valve Discharge	FLARE 1/4"	2110085
Compressor	NEK2134GK	958AA51..AM
Electrical Kit	ELKOM NEK2134GK	958AA51N1A
Fan Kit	16W 254/28°/5B	1996579

## Noise Data

Sound Power Level	64.3 dB (A)	-	-
Sound Pressure Level	at 1 m	at 5 m	at 10 m
	56.3 dB (A)	42.3 dB (A)	36.3 dB (A)

## Fan Motor

Number	1
Shaft Power	16 W
Air Flow	595 m <sup>3</sup> /h
Blade diameter	254 mm

## PERFORMANCE

## Rated Points

Ambient Temperature	Cooling Capacity	Power Consumption	Current	Efficiency
32.00°C	181 W	289 W	2.36 A	0.63 W/W

Test Condition: EN13215\_SH10, Return Gas 0 °C, Subcooling 3K , Evaporation -35.00°C, Condensing 0 °C, Ambient 32.00°C

## Performance Curve Data

Ambient Temperature 25°C

Evaporating Temperature °C	Cooling Capacity W	Power Consumption W	Current A	Efficiency W/W
-40	168	263	2.39	0.64
-35	234	290	2.42	0.81
-30	312	318	2.48	0.98
-25	400	350	2.57	1.14
-20	502	383	2.69	1.31
-15	618	419	2.83	1.48
-10	749	456	3	1.64

Test Condition: EN13215\_SH10, LBP

Ambient Temperature 32°C

Evaporating Temperature °C	Cooling Capacity W	Power Consumption W	Current A	Efficiency W/W
-40	119	261	2.3	0.46
-35	181	289	2.36	0.63
-30	255	321	2.45	0.8
-25	341	355	2.56	0.96
-20	441	393	2.7	1.12
-15	555	433	2.85	1.28
-10	685	475	3.02	1.44

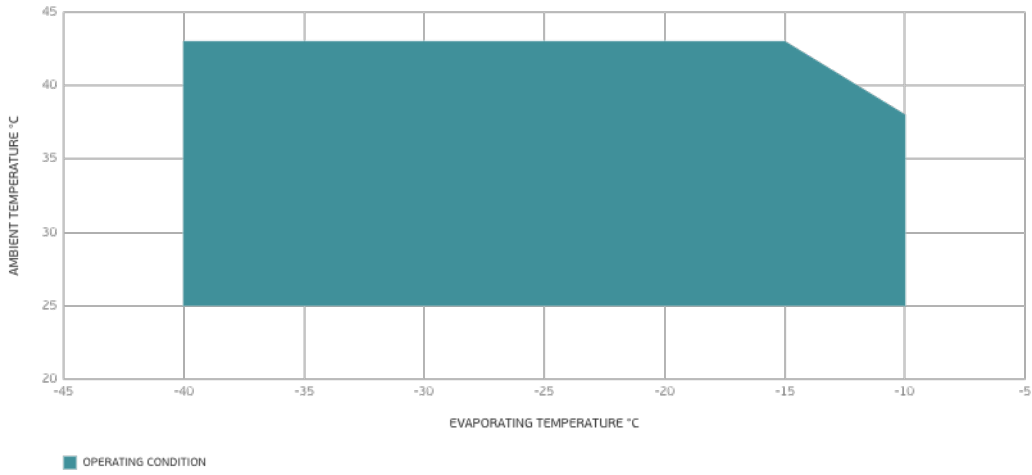
Test Condition: EN13215\_SH10, LBP

Ambient Temperature 43°C

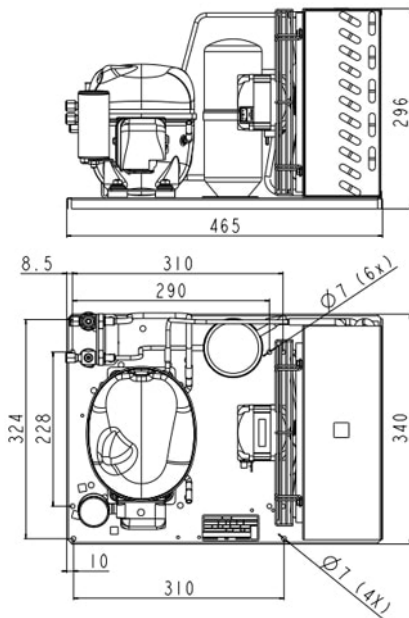
Evaporating Temperature °C	Cooling Capacity W	Power Consumption W	Current A	Efficiency W/W
-40	96	258	2.26	0.37
-35	132	291	2.35	0.45
-30	179	327	2.47	0.55
-25	241	368	2.6	0.65
-20	317	412	2.75	0.77
-15	409	460	2.92	0.89
-10	518	511	3.1	1.01

Test Condition: EN13215\_SH10, LBP

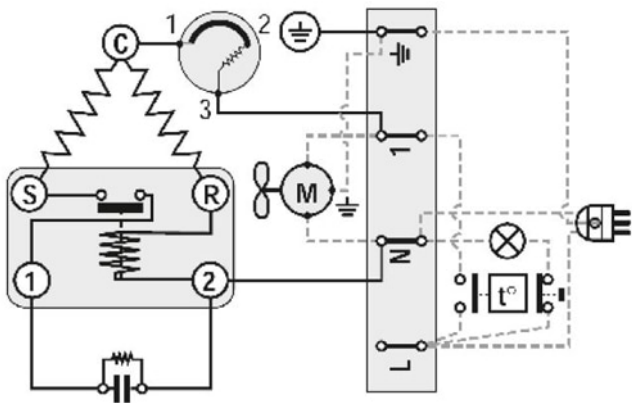
## Operating Envelope



## External Dimensions



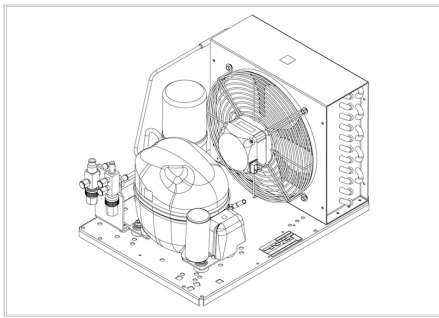
## Wiring Diagram



MODEL


**UNEK2150GK**

embraco





APPROVALS




 **ENGINEERING CODE**  
559AA8212AA

 **APPROVED REFRIGERANT**  
R452A

 **POWER SUPPLY**  
220 - 240V 50Hz ~

 **STANDARD CONDITIONS**  
EN13215\_SH10

 **APPLICATION**  
LBP

 **COOLING CAPACITY**  
248 W

 **EFFICIENCY**  
0.63 W/W

DATA

## General Data

Weight	21.6 Kg
Receiver	1.1 L
Height	296 mm
Length	465 mm
Width	340 mm
Power Supply	220 - 240 V 50 Hz

## Electrical Data

Motor Type	CSIR
Locked Rotor Amperage (LRA)	19.5 A
Max Current	3.52 A

## Spare Parts

Condenser	3R11T	2451206
Valve Suction	FLARE 3/8"	2110059
Valve Discharge	FLARE 1/4"	2110085
Compressor	NEK2150GK	959AA51..AM
Electrical Kit	ELKOM NEK2150GK	959AA51N1A
Fan Kit	16W 254/28°/5B	1996579

## Noise Data

Sound Power Level	64.3 dB (A)	-	-
Sound Pressure Level	at 1 m	at 5 m	at 10 m
	56.3 dB (A)	42.4 dB (A)	36.3 dB (A)

## Fan Motor

Number	1
Shaft Power	16 W
Air Flow	595 m³/h
Blade diameter	254 mm

## PERFORMANCE

## Rated Points

Ambient Temperature	Cooling Capacity	Power Consumption	Current	Efficiency
32.00°C	248 W	394 W	0.82 A	0.63 W/W

Test Condition: EN13215\_SH10, Return Gas 0 °C, Subcooling 3K , Evaporation -35.00°C, Condensing 0 °C, Ambient 32.00°C

## Performance Curve Data

Ambient Temperature 25°C

Evaporating Temperature °C	Cooling Capacity W	Power Consumption W	Current A	Efficiency W/W
-40	211	341	0.68	0.62
-35	310	385	0.81	0.8
-30	409	434	0.92	0.94
-25	515	488	1.01	1.06
-20	632	546	1.1	1.16
-15	768	610	1.19	1.26
-10	928	680	1.29	1.36

Test Condition: EN13215\_SH10, LBP

Ambient Temperature 32°C

Evaporating Temperature °C	Cooling Capacity W	Power Consumption W	Current A	Efficiency W/W
-40	155	352	0.69	0.44
-35	248	394	0.82	0.63
-30	343	442	0.93	0.78
-25	447	495	1.03	0.9
-20	565	554	1.12	1.02
-15	703	621	1.21	1.13
-10	867	694	1.3	1.25

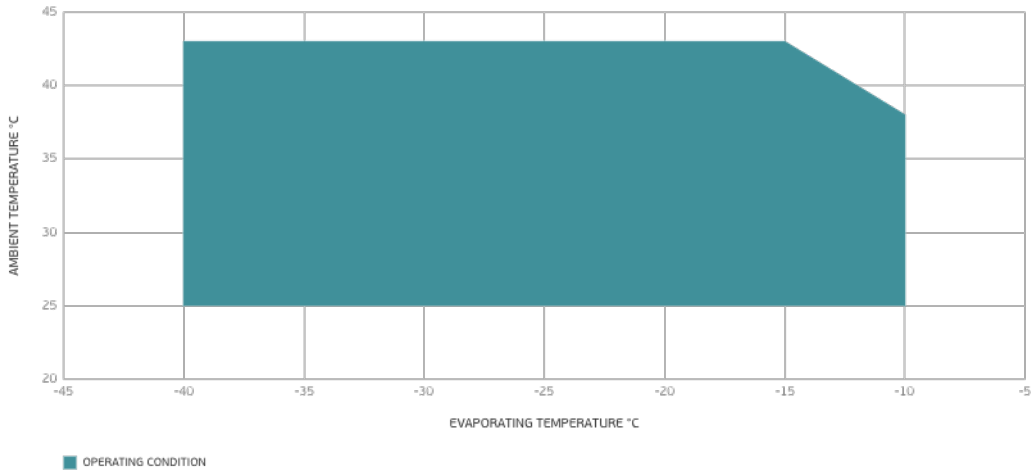
Test Condition: EN13215\_SH10, LBP

Ambient Temperature 43°C

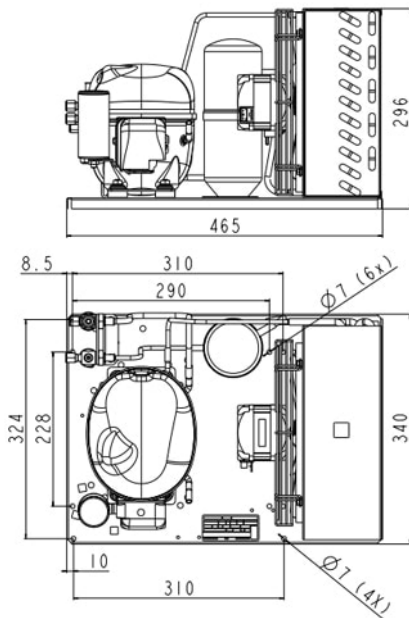
Evaporating Temperature °C	Cooling Capacity W	Power Consumption W	Current A	Efficiency W/W
-40	136	367	0.73	0.37
-35	196	411	0.87	0.48
-30	261	462	0.99	0.57
-25	338	520	1.09	0.65
-20	432	586	1.18	0.74
-15	549	660	1.27	0.83
-10	694	742	1.37	0.94

Test Condition: EN13215\_SH10, LBP

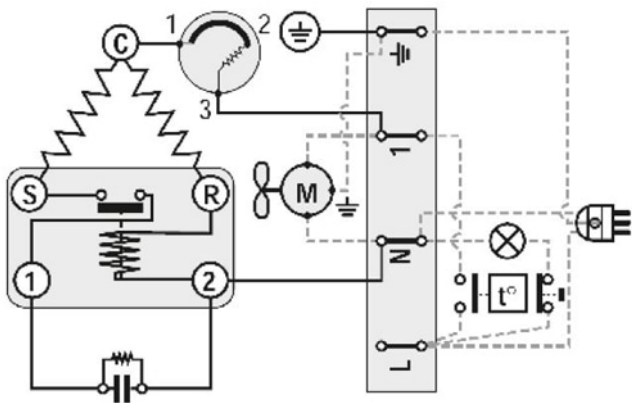
## Operating Envelope



## External Dimensions



## Wiring Diagram

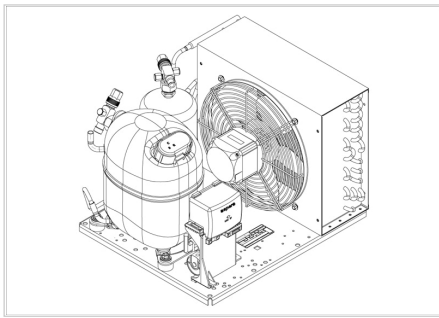




MODEL


**UNJ2212GK**

**embraco**





**APPROVALS**




 **ENGINEERING CODE**  
643TA5604AA

 **APPROVED REFRIGERANT**  
R452A

 **POWER SUPPLY**  
220 - 240V 50Hz ~

 **STANDARD CONDITIONS**  
EN13215\_SH10

 **APPLICATION**  
LBP

 **COOLING CAPACITY**  
619 W

 **EFFICIENCY**  
0.75 W/W

DATA

## General Data

<b>Weight</b>	38.3 Kg
<b>Receiver</b>	2.3 L
<b>Height</b>	324 mm
<b>Length</b>	481 mm
<b>Width</b>	410 mm
<b>Power Supply</b>	220 - 240 V 50 Hz

## Electrical Data

<b>Motor Type</b>	CSR
<b>Locked Rotor Amperage (LRA)</b>	36 A
<b>Max Current</b>	6.5 A

## Spare Parts

Condenser	3R12T	2451140
Valve Discharge	SOLDER 3/8"	2110049
Valve Suction	SOLDER 5/8"	2110054
Compressor	NJ2212GK	943DA19..AC
Electrical Kit	ELKOM NJ2212GK	943DA1904A
Fan Kit	34W 275/31°/5B	1996583

## Noise Data

Sound Power Level	71.3 dB (A)	-	-
Sound Pressure Level	at 1 m	at 5 m	at 10 m
	63.30327879 dB (A)	49.3238787 dB (A)	43.30327879 dB (A)

## Fan Motor

Number	1
Shaft Power	34 W
Air Flow	800 m <sup>3</sup> /h
Blade diameter	275 mm

## PERFORMANCE

## Rated Points

Ambient Temperature	Cooling Capacity	Power Consumption	Current	Efficiency
32.00°C	619 W	828 W	4.56 A	0.75 W/W

Test Condition: EN13215\_SH10, Return Gas 0 °C, Subcooling 3K , Evaporation -35.00°C, Condensing 0 °C, Ambient 32.00°C

## Performance Curve Data

Ambient Temperature 25°C

Evaporating Temperature °C	Cooling Capacity W	Power Consumption W	Current A	Efficiency W/W
-40	575	739	4.22	0.78
-35	795	853	4.68	0.93
-30	1043	983	5.22	1.06
-25	1319	1131	5.86	1.17
-20	1623	1299	6.59	1.25
-15	1957	1486	7.44	1.32
-10	2320	1695	8.39	1.37

Test Condition: EN13215\_SH10, LBP

Ambient Temperature 32°C

Evaporating Temperature °C	Cooling Capacity W	Power Consumption W	Current A	Efficiency W/W
-40	426	700	4.06	0.61
-35	619	828	4.56	0.75
-30	841	973	5.16	0.86
-25	1090	1135	5.85	0.96
-20	1368	1316	6.66	1.04
-15	1675	1518	7.58	1.1
-10	2012	1741	8.62	1.16

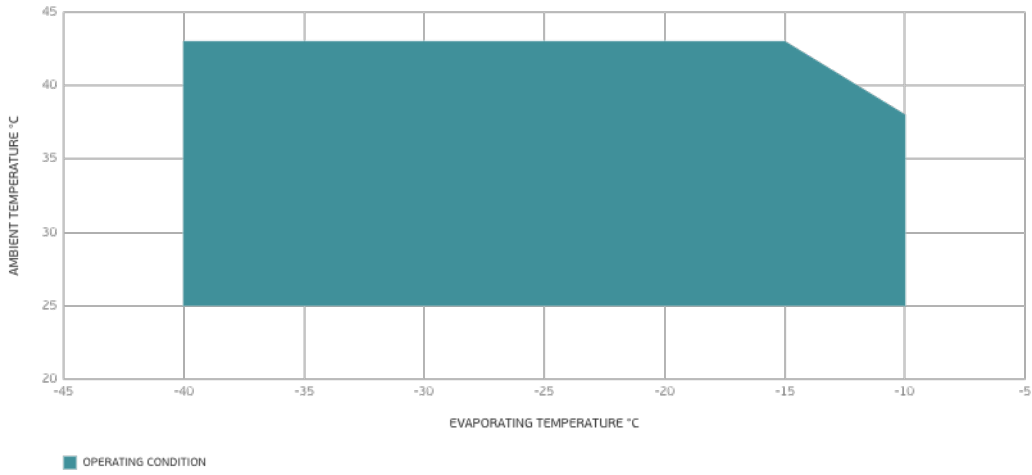
Test Condition: EN13215\_SH10, LBP

Ambient Temperature 43°C

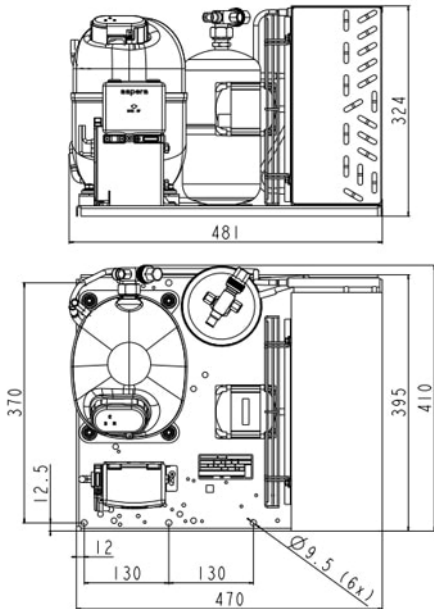
Evaporating Temperature °C	Cooling Capacity W	Power Consumption W	Current A	Efficiency W/W
-40	280	671	4.02	0.42
-35	440	815	4.54	0.54
-30	628	975	5.18	0.64
-25	845	1153	5.93	0.73
-20	1090	1350	6.8	0.81
-15	1364	1566	7.8	0.87
-10	1668	1805	8.94	0.92

Test Condition: EN13215\_SH10, LBP

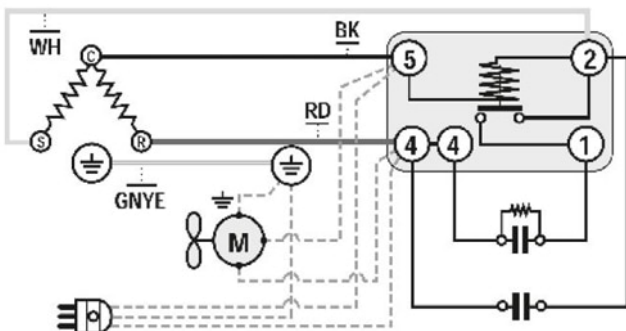
## Operating Envelope



## External Dimensions



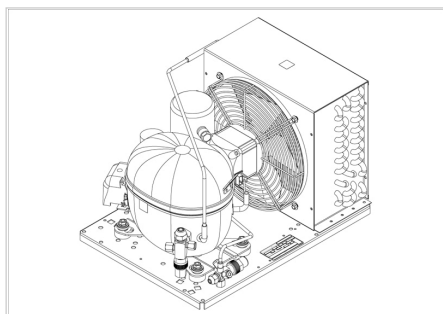
## Wiring Diagram



MODEL


**UNT2178GK**

embraco





APPROVALS




 **ENGINEERING CODE**  
502EA5212AA

 **APPROVED REFRIGERANT**  
R452A

 **POWER SUPPLY**  
220 - 240V 50Hz ~

 **STANDARD CONDITIONS**  
EN13215\_SH10

 **APPLICATION**  
LBP

 **COOLING CAPACITY**  
329 W

 **EFFICIENCY**  
0.71 W/W

DATA

## General Data

Weight	27.5 Kg
Receiver	1.2 L
Height	296 mm
Length	474 mm
Width	340 mm
Power Supply	220 - 240 V 50 Hz

## Electrical Data

Motor Type	CSIR
Locked Rotor Amperage (LRA)	25 A
Max Current	4.24 A

## Spare Parts

Valve Discharge	FLARE 1/4"	2110025
Condenser	4R11T	2451217
Valve Suction	FLARE 3/8"	2110056
Compressor	NT2178GK	922EA09..AC
Electrical Kit	ELKOM NT2178GK	922EA0413A
Fan Kit	16W 254/28°/5B	1996579

## Noise Data

Sound Power Level	65.04 dB (A)	-	-
Sound Pressure Level	at 1 m	at 5 m	at 10 m
	57.0382926 dB (A)	43.05889251 dB (A)	37.0382926 dB (A)

## Fan Motor

Number	1
Shaft Power	16 W
Air Flow	460 m³/h
Blade diameter	254 mm

## PERFORMANCE

## Rated Points

Ambient Temperature	Cooling Capacity	Power Consumption	Current	Efficiency
32.00°C	329 W	461 W	3.58 A	0.71 W/W

Test Condition: EN13215\_SH10, Return Gas 0 °C, Subcooling 3K , Evaporation -35.00°C, Condensing 0 °C, Ambient 32.00°C

## Performance Curve Data

Ambient Temperature 25°C

Evaporating Temperature °C	Cooling Capacity W	Power Consumption W	Current A	Efficiency W/W
-40	326	409	3.41	0.8
-35	416	467	3.57	0.89
-30	539	532	3.78	1.01
-25	694	605	4.04	1.15
-20	877	685	4.33	1.28
-15	1087	769	4.66	1.41
-10	1321	858	5.01	1.54

Test Condition: EN13215\_SH10, LBP

Ambient Temperature 32°C

Evaporating Temperature °C	Cooling Capacity W	Power Consumption W	Current A	Efficiency W/W
-40	256	395	3.4	0.65
-35	329	461	3.58	0.71
-30	430	537	3.82	0.8
-25	559	621	4.11	0.9
-20	711	712	4.44	1
-15	886	809	4.81	1.09
-10	1081	911	5.22	1.19

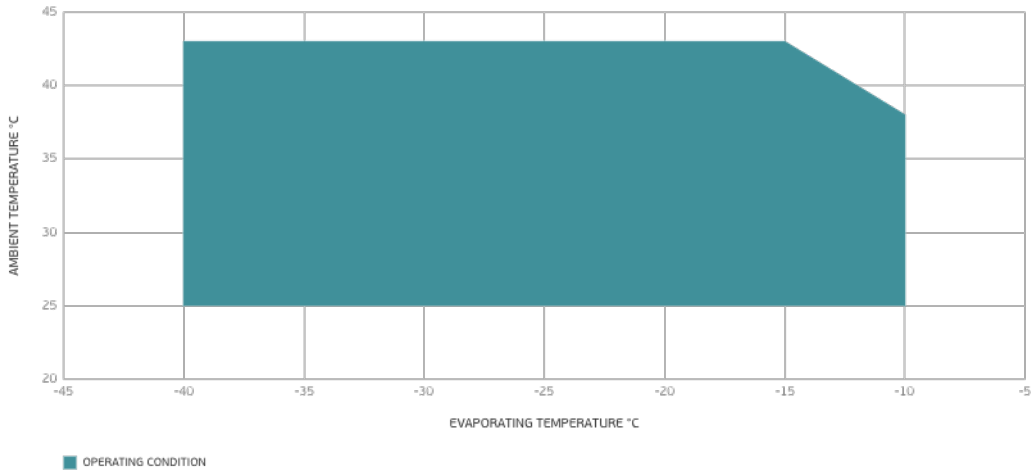
Test Condition: EN13215\_SH10, LBP

Ambient Temperature 43°C

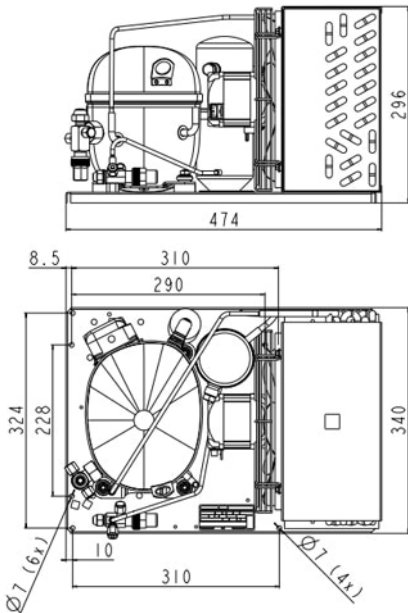
Evaporating Temperature °C	Cooling Capacity W	Power Consumption W	Current A	Efficiency W/W
-40	162	389	3.33	0.42
-35	228	461	3.52	0.49
-30	316	543	3.78	0.58
-25	424	635	4.1	0.67
-20	550	734	4.48	0.75
-15	691	841	4.91	0.82
-10	845	953	5.38	0.89

Test Condition: EN13215\_SH10, LBP

## Operating Envelope



## External Dimensions



## Wiring Diagram

