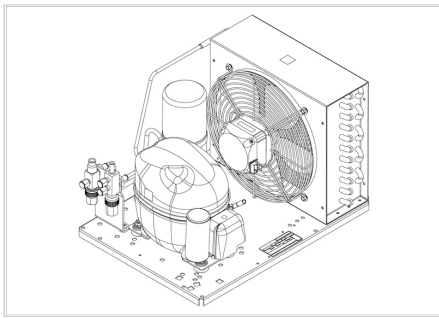


MODEL


UNEK2134GK

embraco





APPROVALS




 **ENGINEERING CODE**
558AA8212AA

 **APPROVED REFRIGERANT**
R404A

 **POWER SUPPLY**
220 - 240V 50Hz ~

 **STANDARD CONDITIONS**
EN13215_SH10

 **APPLICATION**
LBP

 **COOLING CAPACITY**
188 W

 **EFFICIENCY**
0.62 W/W

DATA

General Data

Weight	20 Kg
Receiver	1.1 L
Height	296 mm
Length	465 mm
Width	340 mm
Power Supply	220 - 240 V 50 Hz

Electrical Data

Motor Type	CSIR
Locked Rotor Amperage (LRA)	16.1 A
Max Current	2.77 A

Spare Parts

Condenser	3R11T	2451206
Valve Suction	FLARE 3/8"	2110059
Valve Discharge	FLARE 1/4"	2110085
Compressor	NEK2134GK	958AA51..AM
Electrical Kit	ELKOM NEK2134GK	958AA51N1A
Fan Kit	16W 254/28°/5B	1996579

Noise Data

Sound Power Level	64.3 dB (A)	-	-
Sound Pressure Level	at 1 m	at 5 m	at 10 m
	56.3 dB (A)	42.3 dB (A)	36.3 dB (A)

Fan Motor

Number	1
Shaft Power	16 W
Air Flow	595 m ³ /h
Blade diameter	254 mm

PERFORMANCE

Rated Points

Ambient Temperature	Cooling Capacity	Power Consumption	Current	Efficiency
32.00°C	188 W	302 W	2.47 A	0.62 W/W

Test Condition: EN13215_SH10, Return Gas 0 °C, Subcooling 3K , Evaporation -35.00°C, Condensing 0 °C, Ambient 32.00°C

Performance Curve Data

Ambient Temperature 25°C

Evaporating Temperature °C	Cooling Capacity W	Power Consumption W	Current A	Efficiency W/W
-40	173	273	2.48	0.63
-35	242	300	2.51	0.8
-30	320	329	2.57	0.97
-25	409	361	2.65	1.13
-20	511	394	2.76	1.3
-15	625	428	2.9	1.46
-10	754	464	3.05	1.63

Test Condition: EN13215_SH10, LBP

Ambient Temperature 32°C

Evaporating Temperature °C	Cooling Capacity W	Power Consumption W	Current A	Efficiency W/W
-40	124	274	2.42	0.45
-35	188	302	2.47	0.62
-30	264	334	2.55	0.79
-25	350	368	2.65	0.95
-20	450	405	2.78	1.11
-15	563	444	2.92	1.27
-10	691	485	3.08	1.43

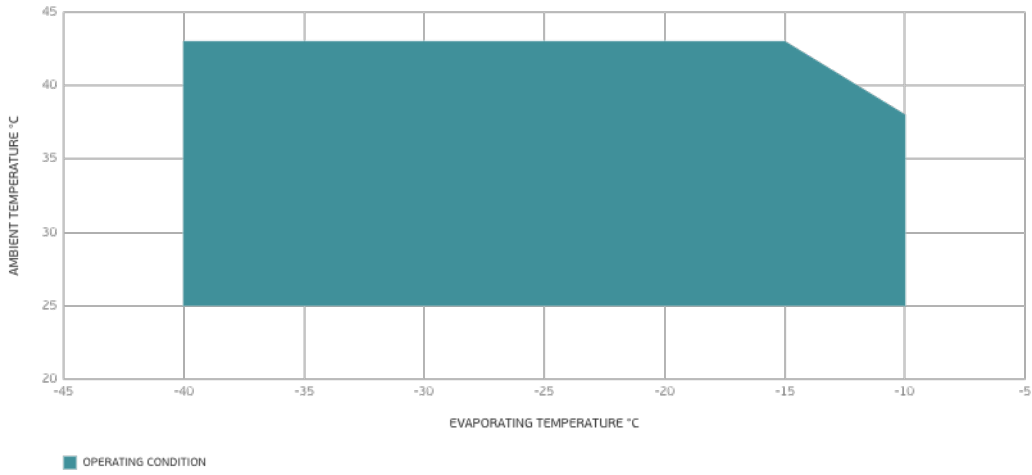
Test Condition: EN13215_SH10, LBP

Ambient Temperature 43°C

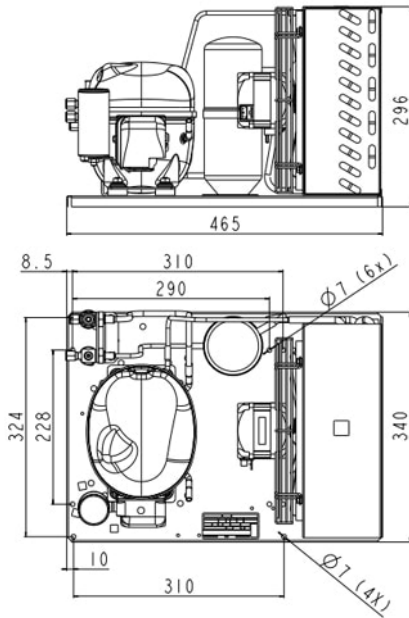
Evaporating Temperature °C	Cooling Capacity W	Power Consumption W	Current A	Efficiency W/W
-40	101	274	2.39	0.37
-35	139	307	2.48	0.45
-30	189	343	2.59	0.55
-25	251	384	2.72	0.65
-20	327	429	2.87	0.76
-15	418	477	3.03	0.88
-10	525	528	3.2	1

Test Condition: EN13215_SH10, LBP

Operating Envelope



External Dimensions



Wiring Diagram

