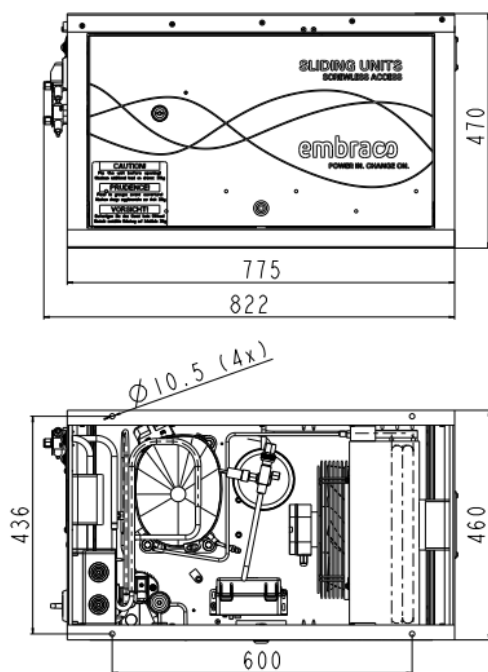


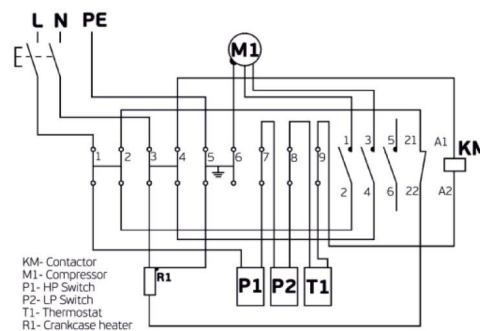
### GENERAL DATA

<b>Application:</b>	LBP
<b>Refrigerant:</b>	R404A
<b>Expansion Device:</b>	C-V
<b>Weight:</b>	65 kg
<b>Receiver:</b>	2.3 liter
<b>Voltage/Frequency:</b>	220 - 240 V 50 ~
<b>Height:</b>	65 mm
<b>Length:</b>	822 mm
<b>Width:</b>	460 mm
<b>Institute Approvals:</b>	<b>CE</b>

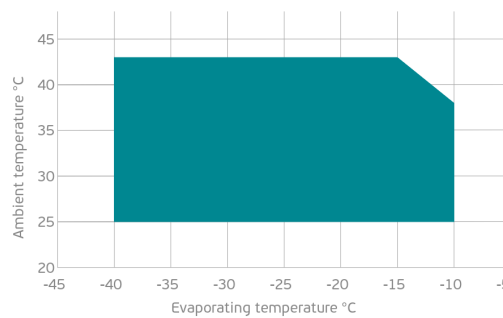
### EXTERNAL DIMENSIONS



### WIRING DIAGRAM



### OPERATING ENVELOPE



### COMPONENTS (SPARE PARTS)

<b>dryer:</b>	FILTER DRYER 10MM ODF	2730010	<b>sightglass:</b>	SIGHT GLASS 10MM ODF	2464040
<b>valve_suca:</b>	SOLDER 1/2"	2110118	<b>valve_disch:</b>	SOLDER 3/8"	2110119
<b>hpressostat:</b>	P100CP-106D	2466034	<b>lpressostat:</b>	PS1-A3K	2466036
<b>condenser:</b>	3R12T	2451226	<b>heater:</b>	CRANKCASE HEATER 230V/40W	2464205
<b>flexihose:</b>	FLEXI HOSE 10MM ODF	2464241	<b>compressor:</b>	NT2192GK	923EA04..AC
<b>elkit:</b>	ELECTRICAL BOX/PROTECTOR	1996562/2321105	<b>fankit:</b>	AXIAL FAN 230V/50HZ/1PH	1996726

For additional accessories please contact our technical support

**ELECTRICAL DATA**

**Motor Type:** CSR -  
**Locked Rotor Amperage (RLA):** 35 A  
**Max.Current:** 4.9 A

At maximum evaporating temperature and maximum ambient temperature.

**FAN MOTOR**

**Number:** 1 -  
**Shaft Power:** - W  
**Air Flow:** 1450 m<sup>3</sup>/hod  
**Blade Diameter:** 250 mm

**PERFORMANCE CURVE DATA**

Standard: EN13215\_RG20 / return gas 20°C, subcooling 3K

50 Hz

	Evaporating Temperature (°C)	Cooling Capacity (W)	Power Consumption (W)	Current Consumption (A)	Efficiency (W)
<b>25°C</b> Ambient Temperature	-10°C	1 756	995	4.90	1.76
	-15°C	1 512	890	4.42	1.70
	-20°C	1 279	792	3.99	1.61
	-25°C	1 058	702	3.60	1.51
	-30°C	850	620	3.26	1.37
	Rated point -35°C	656	545	2.96	1.21
	-40°C	477	477	2.72	1.00
<b>32°C</b> Ambient Temperature	-10°C	1 540	1 039	5.13	1.48
	-15°C	1 332	924	4.60	1.44
	-20°C	1 134	818	4.11	1.39
	-25°C	946	721	3.67	1.31
	-30°C	771	632	3.29	1.22
	Rated point -35°C	609	552	2.95	1.10
	-40°C	461	481	2.67	0.96
<b>43°C</b> Ambient Temperature	-15°C	1 130	961	4.75	1.18
	-20°C	953	844	4.23	1.13
	-25°C	787	739	3.77	1.07
	-30°C	631	643	3.35	0.98
	Rated point -35°C	486	559	3.00	0.87
	-40°C	353	484	2.70	0.73