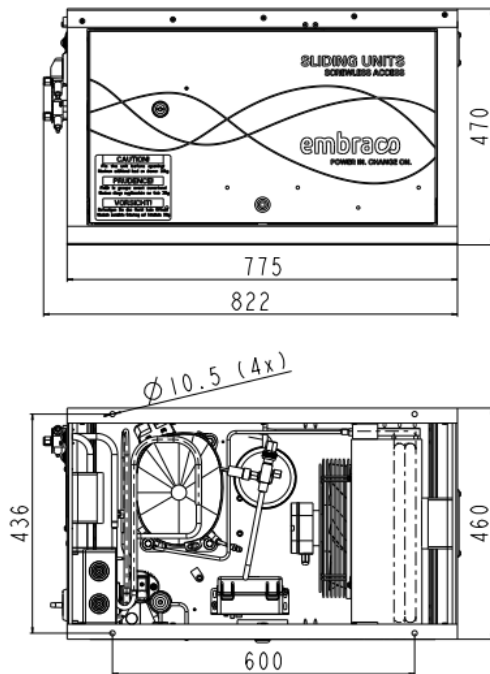


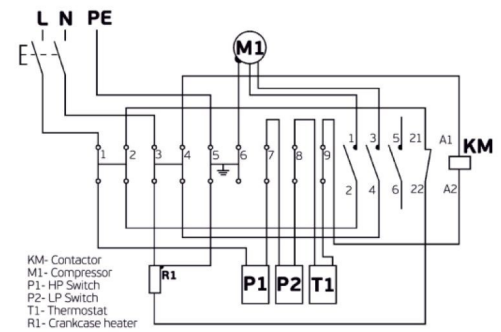
GENERAL DATA

Application:	LBP
Refrigerant:	R404A
Expansion Device:	C-V
Weight:	65 kg
Receiver:	2.3 liter
Voltage/Frequency:	220 - 240 V 50 ~
Height:	65 mm
Length:	822 mm
Width:	460 mm
Institute Approvals:	CE

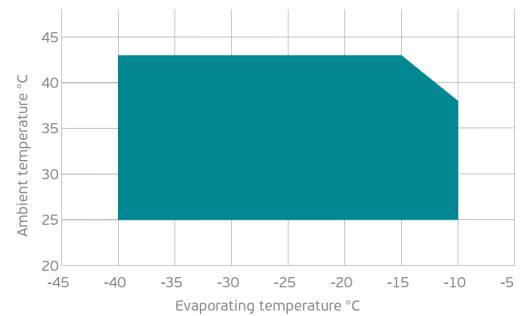
EXTERNAL DIMENSIONS



WIRING DIAGRAM



OPERATING ENVELOPE



COMPONENTS (SPARE PARTS)

dryer:	FILTER DRYER 10MM ODF	2730010	sightglass:	SIGHT GLASS 10MM ODF	2464040
valve_suca:	SOLDER 1/2"	2110118	valve_disch:	SOLDER 3/8"	2110119
hpressostat:	P100CP-106D	2466034	lpressostat:	PS1-A3K	2466036
compressor:	NT2180GK	923HA04..AC	condenser:	3R12T	2451226
heater:	CRANKCASE HEATER 230V/40W	2464205	flexihose:	FLEXI HOSE 10MM ODF	2464241
elkit:	ELECTRICAL BOX/PROTECTOR	1996563/2321113	fankit:	AXIAL FAN 230V/50HZ/1PH	1996726

For additional accessories please contact our technical support

ELECTRICAL DATA

Motor Type: CSR -
Locked Rotor Amperage (RLA): 35 A
Max.Current: 5.99 A

At maximum evaporating temperature and maximum ambient temperature.

FAN MOTOR

Number: 1 -
Shaft Power: - W
Air Flow: 840 m³/hod
Blade Diameter: 250 mm

PERFORMANCE CURVE DATA

Standard: EN13215_RG20 / return gas 20°C, subcooling 3K

50 Hz

	Evaporating Temperature (°C)	Cooling Capacity (W)	Power Consumption (W)	Current Consumption (A)	Efficiency (W)
25°C Ambient Temperature	-10°C	1 449	967	4.63	1.50
	-15°C	1 244	867	4.16	1.44
	-20°C	1 055	776	3.74	1.36
	-25°C	883	694	3.37	1.27
	-30°C	725	621	3.04	1.17
	Rated point -35°C	583	557	2.76	1.05
	-40°C	456	501	2.52	0.91
32°C Ambient Temperature	-10°C	1 318	998	4.78	1.32
	-15°C	1 130	893	4.29	1.27
	-20°C	958	799	3.85	1.20
	-25°C	801	714	3.47	1.12
	-30°C	659	640	3.13	1.03
	Rated point -35°C	531	575	2.85	0.92
	-40°C	418	520	2.62	0.80
43°C Ambient Temperature	-15°C	966	951	4.57	1.02
	-20°C	817	849	4.09	0.96
	-25°C	681	757	3.68	0.90
	-30°C	559	678	3.32	0.83
	Rated point -35°C	451	609	3.02	0.74
	-40°C	356	552	2.78	0.65