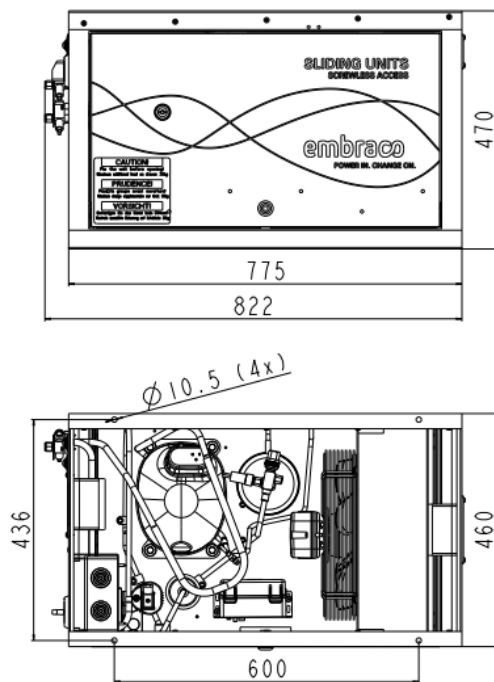


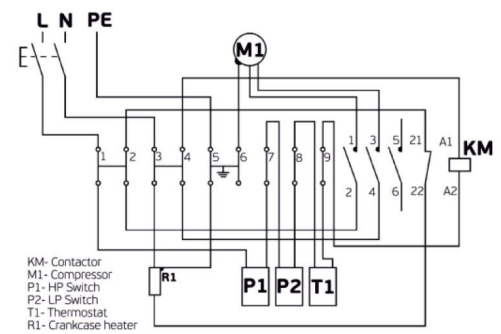
GENERAL DATA

Application:	M/HBP
Refrigerant:	R404A
Expansion Device:	C-V
Weight:	83 kg
Receiver:	2.3 liter
Voltage/Frequency:	230 V 50 ~
Height:	83 mm
Length:	822 mm
Width:	460 mm
Institute Approvals:	CE

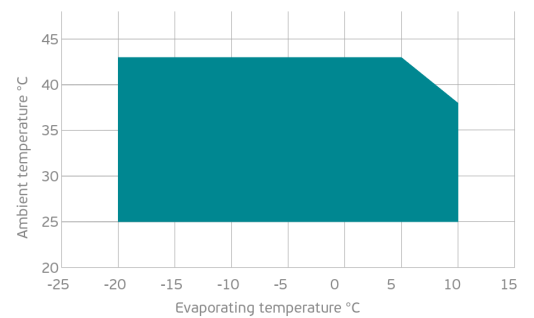
EXTERNAL DIMENSIONS



WIRING DIAGRAM



OPERATING ENVELOPE



COMPONENTS (SPARE PARTS)

condenser:	4R14T	2451199	dryer:	FILTER DRYER 10MM ODF	2730010
sightglass:	SIGHT GLASS 10MM ODF	2464040	fankit:	S4E300-XX	1996589
compressor:	NJ9238GK	943RV11..AC	elkit:	ELECTRICAL BOX/PROTECTOR	1996558/2289029
valve_suca:	SOLDER 1/2"	2110118	valve_disch:	SOLDER 3/8"	2110119
hpressostat:	P100CP-106D	2466034	lpressostat:	PS1-A3K	2466036
heater:	CRANKCASE HEATER 230V/55W	2464141	flexihose:	FLEXI HOSE 12MM ODF	2464244

For additional accessories please contact our technical support

ELECTRICAL DATA

Motor Type: CSR -
Locked Rotor Amperage (RLA): 43 A
Max.Current: 10.76 A

At maximum evaporating temperature and maximum ambient temperature.

FAN MOTOR

Number: 1 -
Shaft Power: 95 W
Air Flow: 1300 m³/hod
Blade Diameter: - mm

PERFORMANCE CURVE DATA

Standard: EN13215_RG20 / return gas 20°C, subcooling 3K

50 Hz

	Evaporating Temperature (°C)	Cooling Capacity (W)	Power Consumption (W)	Current Consumption (A)	Efficiency (W)
25°C Ambient Temperature	10°C	4 353	2 432	11.08	1.79
	5°C	3 884	2 198	10.04	1.77
	0°C	3 436	1 984	9.11	1.73
	-5°C	3 010	1 788	8.27	1.68
	Rated point -10°C	2 605	1 611	7.53	1.62
	-15°C	2 221	1 452	6.89	1.53
	-20°C	1 857	1 312	6.33	1.42
32°C Ambient Temperature	10°C	3 958	2 509	11.43	1.58
	5°C	3 530	2 266	10.35	1.56
	0°C	3 123	2 043	9.38	1.53
	-5°C	2 735	1 841	8.52	1.49
	Rated point -10°C	2 367	1 659	7.76	1.43
	-15°C	2 019	1 497	7.10	1.35
	-20°C	1 690	1 354	6.54	1.25
43°C Ambient Temperature	5°C	3 008	2 411	11.02	1.25
	0°C	2 658	2 171	9.97	1.22
	-5°C	2 326	1 953	9.04	1.19
	Rated point -10°C	2 012	1 758	8.22	1.14
	-15°C	1 715	1 585	7.52	1.08
	-20°C	1 436	1 434	6.92	1.00