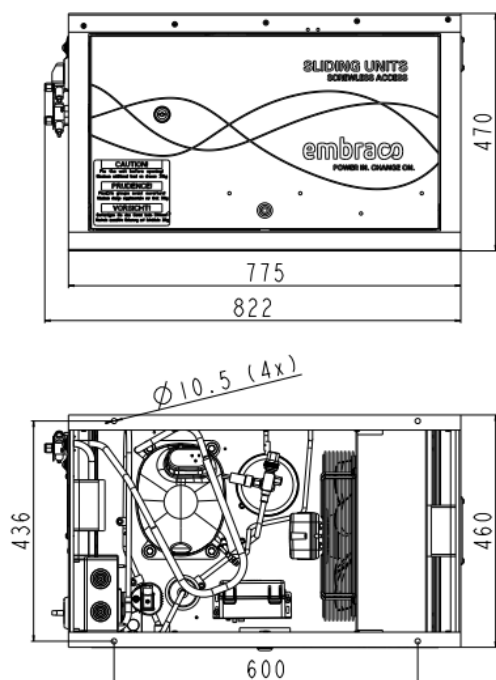


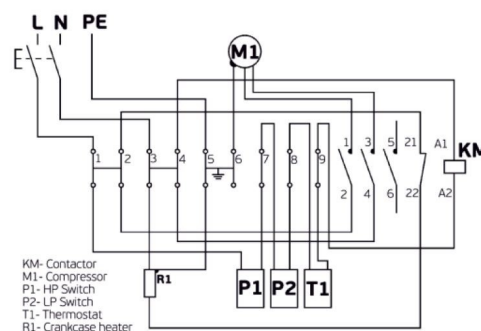
### GENERAL DATA

<b>Application:</b>	M/HBP
<b>Refrigerant:</b>	R404A
<b>Expansion Device:</b>	C-V
<b>Weight:</b>	82 kg
<b>Receiver:</b>	2.3 liter
<b>Voltage/Frequency:</b>	220 - 240 V 50 ~
<b>Height:</b>	82 mm
<b>Length:</b>	822 mm
<b>Width:</b>	460 mm
<b>Institute Approvals:</b>	<b>CE</b>

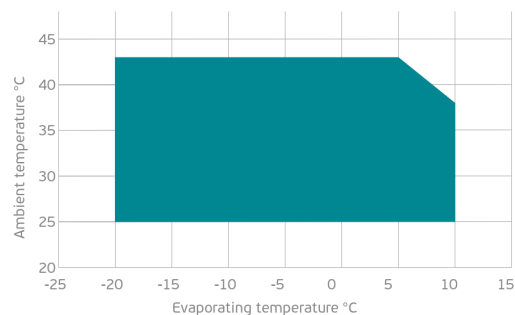
### EXTERNAL DIMENSIONS



### WIRING DIAGRAM



### OPERATING ENVELOPE



### COMPONENTS (SPARE PARTS)

<b>dryer:</b>	FILTER DRYER 10MM ODF	2730010
<b>condenser:</b>	3R14T	2451198
<b>valve_suca:</b>	SOLDER 1/2"	2110118
<b>hpressostat:</b>	P100CP-106D	2466034
<b>heater:</b>	CRANKCASE HEATER 230V/55W	2464141
<b>compressor:</b>	NJ9232GK	943NA11..AC

<b>sightglass:</b>	SIGHT GLASS 10MM ODF	2464040
<b>fankit:</b>	S4E300-XX	1996589
<b>valve_disch:</b>	SOLDER 3/8"	2110119
<b>lpressostat:</b>	PS1-A3K	2466036
<b>flexihose:</b>	FLEXI HOSE 12MM ODF	2464244
<b>elkit:</b>	ELECTRICAL BOX/PROTECTOR	1996560/2289028

For additional accessories please contact our technical support

**ELECTRICAL DATA**

**Motor Type:** CSR -  
**Locked Rotor Amperage (RLA):** 30 A  
**Max.Current:** 7.78 A

At maximum evaporating temperature and maximum ambient temperature.

**FAN MOTOR**

**Number:** 1 -  
**Shaft Power:** 95 W  
**Air Flow:** 1450 m<sup>3</sup>/hod  
**Blade Diameter:** - mm

**PERFORMANCE CURVE DATA**

Standard: EN13215\_RG20 / return gas 20°C, subcooling 3K

50 Hz

	Evaporating Temperature (°C)	Cooling Capacity (W)	Power Consumption (W)	Current Consumption (A)	Efficiency (W)
<b>25°C</b> Ambient Temperature	10°C	3 135	1 844	8.65	1.70
	5°C	2 981	1 664	7.83	1.79
	0°C	2 732	1 510	7.12	1.81
	-5°C	2 421	1 375	6.50	1.76
	<b>Rated point</b> -10°C	2 085	1 253	5.95	1.66
	-15°C	1 757	1 136	5.44	1.55
	-20°C	1 472	1 019	4.93	1.45
<b>32°C</b> Ambient Temperature	10°C	2 841	1 903	8.93	1.49
	5°C	2 717	1 715	8.07	1.58
	0°C	2 495	1 555	7.33	1.60
	-5°C	2 211	1 415	6.69	1.56
	<b>Rated point</b> -10°C	1 899	1 289	6.13	1.47
	-15°C	1 594	1 170	5.60	1.36
	-20°C	1 332	1 052	5.10	1.27
<b>43°C</b> Ambient Temperature	5°C	2 274	1 830	8.60	1.24
	0°C	2 106	1 654	7.80	1.27
	-5°C	1 874	1 502	7.11	1.25
	<b>Rated point</b> -10°C	1 612	1 365	6.49	1.18
	-15°C	1 355	1 238	5.93	1.09
	-20°C	1 137	1 114	5.40	1.02