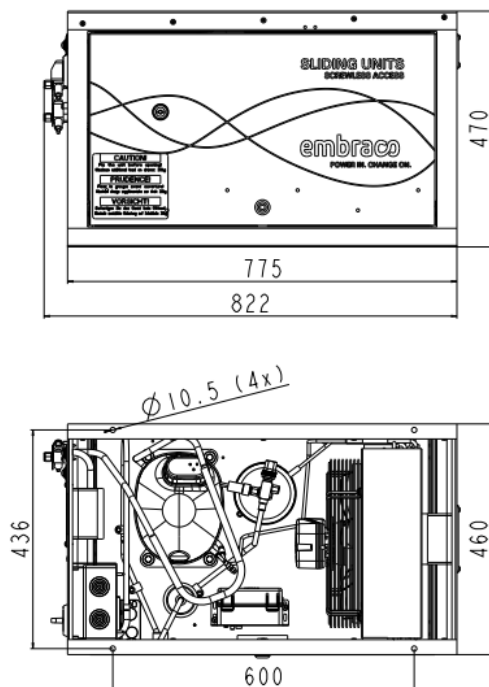


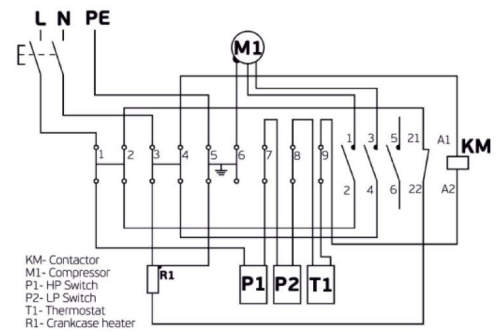
GENERAL DATA

Application:	M/HBP
Refrigerant:	R134a
Expansion Device:	C-V
Weight:	82 kg
Receiver:	2.3 liter
Voltage/Frequency:	220 - 240 V 50 ~
Height:	82 mm
Length:	822 mm
Width:	460 mm
Institute Approvals:	CE

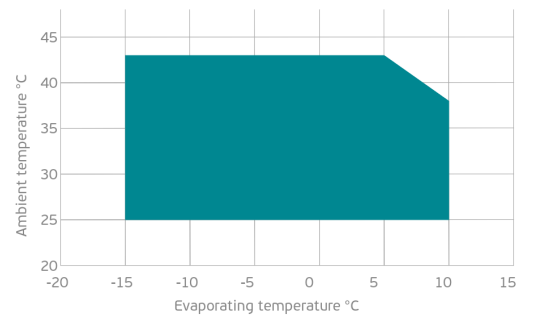
EXTERNAL DIMENSIONS



WIRING DIAGRAM



OPERATING ENVELOPE



COMPONENTS (SPARE PARTS)

dryer:	FILTER DRYER 10MM ODF	2730010	sightglass:	SIGHT GLASS 10MM ODF	2464040
condenser:	3R14T	2451221	fankit:	S4E300-XX	1996589
valve_suca:	SOLDER 1/2"	2110118	valve_disch:	SOLDER 3/8"	2110119
lpressostat:	PS1-A3K	2466036	heater:	CRANKCASE HEATER 230V/55W	2464141
flexihose:	FLEXI HOSE 12MM ODF	2464244	hpressostat:	P100CP-102D	2466033
compressor:	NJ6220Z	144HA11..AC	elkit:	ELECTRICAL BOX/PROTECTOR	1996556/2289016

For additional accessories please contact our technical support

ELECTRICAL DATA

Motor Type: CSR -
Locked Rotor Amperage (RLA): 35 A
Max.Current: 6.22 A

At maximum evaporating temperature and maximum ambient temperature.

FAN MOTOR

Number: 1 -
Shaft Power: 95 W
Air Flow: 840 m³/hod
Blade Diameter: - mm

PERFORMANCE CURVE DATA

Standard: EN13215_RG20 / return gas 20°C, subcooling 3K

50 Hz

	Evaporating Temperature (°C)	Cooling Capacity (W)	Power Consumption (W)	Current Consumption (A)	Efficiency (W)
25°C Ambient Temperature	10°C	2 767	1 116	6.42	2.48
	5°C	2 375	1 000	6.00	2.37
	0°C	2 007	895	5.63	2.24
	-5°C	1 665	800	5.32	2.08
	Rated point -10°C	1 348	716	5.07	1.88
	-15°C	1 058	642	4.88	1.65
32°C Ambient Temperature	10°C	2 517	1 150	6.62	2.19
	5°C	2 157	1 032	6.18	2.09
	0°C	1 821	924	5.80	1.97
	-5°C	1 510	827	5.48	1.83
	Rated point -10°C	1 224	739	5.23	1.66
	-15°C	965	661	5.03	1.46
43°C Ambient Temperature	5°C	1 784	1 093	6.38	1.63
	0°C	1 493	975	5.95	1.53
	-5°C	1 226	865	5.59	1.42
	Rated point -10°C	983	765	5.29	1.28
	-15°C	766	674	5.06	1.14