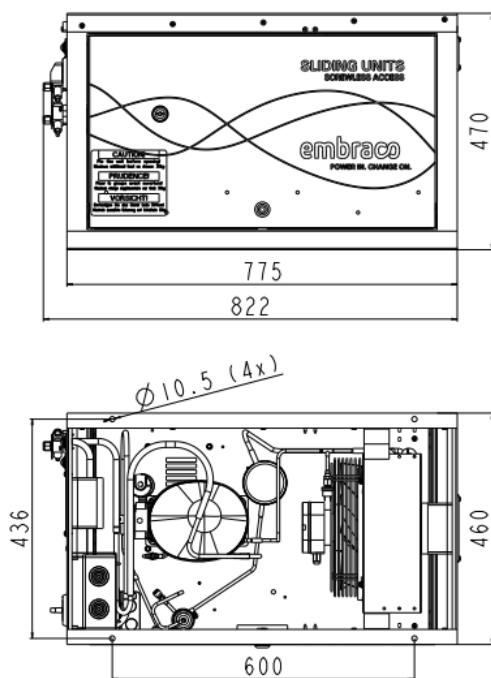


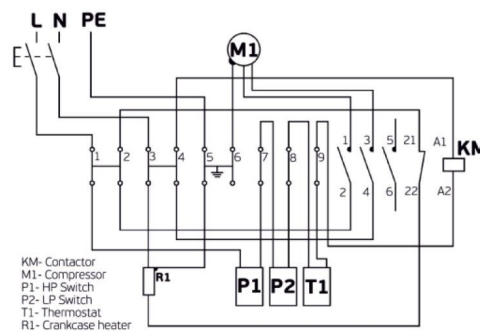
### GENERAL DATA

<b>Application:</b>	M/HBP
<b>Refrigerant:</b>	R134a
<b>Expansion Device:</b>	C-V
<b>Weight:</b>	66 kg
<b>Receiver:</b>	1.1 liter
<b>Voltage/Frequency:</b>	220 - 240 V 50 ~
<b>Height:</b>	66 mm
<b>Length:</b>	822 mm
<b>Width:</b>	460 mm
<b>Institute Approvals:</b>	<b>CE</b>

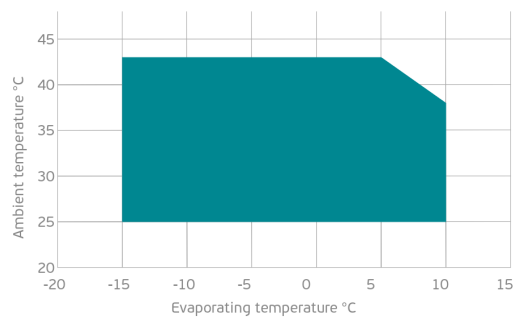
### EXTERNAL DIMENSIONS



### WIRING DIAGRAM



### OPERATING ENVELOPE



### COMPONENTS (SPARE PARTS)

<b>lpressostat:</b>	PS1-A3K	2466036	<b>dryer:</b>	FILTER DRYER 6MM ODF	2730006
<b>compressor:</b>	NEK6214Z	269JA51..AN	<b>elkit:</b>	ELKOM NEK6214Z	269JA51N1A
<b>sightglass:</b>	SIGHT GLASS 6MM ODF	2464031	<b>condenser:</b>	3R12T	2451226
<b>valve_suca:</b>	SOLDER 3/8"	2110119	<b>valve_disch:</b>	SOLDER 1/4"	2110120
<b>heater:</b>	CRANKCASE HEATER 230V/40W	2464205	<b>flexihose:</b>	FLEXI HOSE 10MM ODF	2464241
<b>hpressostat:</b>	P100CP-102D	2466033	<b>fankit:</b>	AXIAL FAN 230V/50HZ/1PH	1996726

For additional accessories please contact our technical support

**ELECTRICAL DATA**

**Motor Type:** CSIR -  
**Locked Rotor Amperage (RLA):** 21.2 A  
**Max.Current:** 4.47 A

At maximum evaporating temperature and maximum ambient temperature.

**FAN MOTOR**

**Number:** 1 -  
**Shaft Power:** - W  
**Air Flow:** 840 m<sup>3</sup>/hod  
**Blade Diameter:** 250 mm

**PERFORMANCE CURVE DATA**

Standard: EN13215\_RG20 / return gas 20°C, subcooling 3K

50 Hz

	Evaporating Temperature (°C)	Cooling Capacity (W)	Power Consumption (W)	Current Consumption (A)	Efficiency (W)
<b>25°C</b> Ambient Temperature	10°C	1 634	753	4.76	2.17
	5°C	1 398	675	4.48	2.07
	0°C	1 181	605	4.25	1.95
	-5°C	982	541	4.06	1.82
	Rated point -10°C	802	485	3.91	1.65
	-15°C	642	437	3.81	1.47
<b>32°C</b> Ambient Temperature	10°C	1 495	797	4.91	1.88
	5°C	1 284	716	4.62	1.79
	0°C	1 089	641	4.37	1.70
	-5°C	911	574	4.16	1.59
	Rated point -10°C	751	515	4.00	1.46
	-15°C	608	463	3.88	1.31
<b>43°C</b> Ambient Temperature	5°C	1 100	766	4.76	1.44
	0°C	927	685	4.47	1.35
	-5°C	768	612	4.23	1.25
	Rated point -10°C	624	547	4.03	1.14
	-15°C	495	490	3.87	1.01