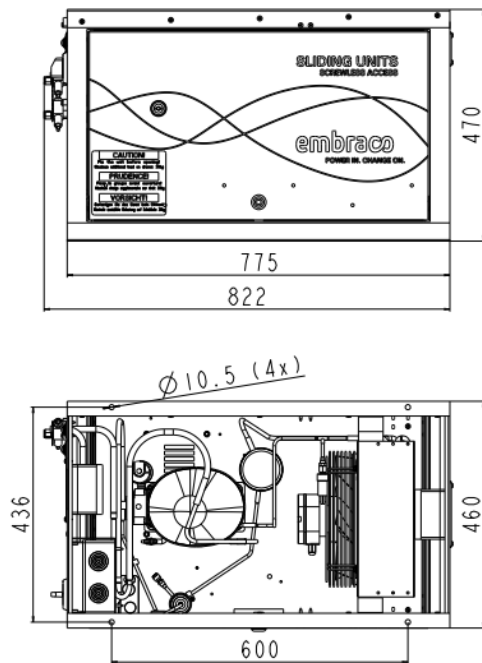


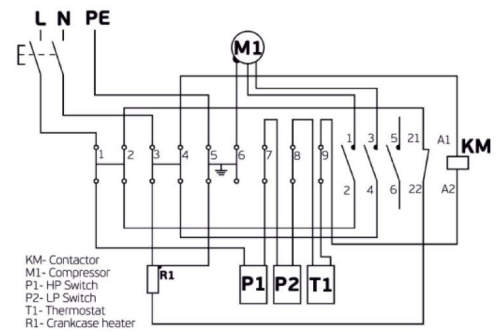
GENERAL DATA

Application:	M/HBP
Refrigerant:	R134a
Expansion Device:	C-V
Weight:	65 kg
Receiver:	1.1 liter
Voltage/Frequency:	220 - 240 V 50 ~
Height:	65 mm
Length:	822 mm
Width:	460 mm
Institute Approvals:	CE

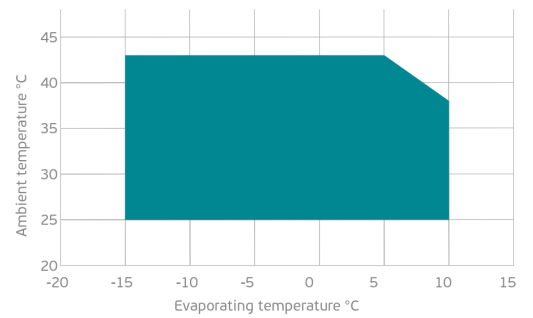
EXTERNAL DIMENSIONS



WIRING DIAGRAM



OPERATING ENVELOPE



COMPONENTS (SPARE PARTS)

condenser:	3R11T	2451206
dryer:	FILTER DRYER 6MM ODF	2730006
valve_suca:	SOLDER 3/8"	2110119
heater:	CRANKCASE HEATER 230V/40W	2464205
hpressostat:	P100CP-102D	2466033
elkit:	ELKOM NEK6210Z	268BA51N1A

lpressostat:	PS1-A3K	2466036
sightglass:	SIGHT GLASS 6MM ODF	2464031
valve_disch:	SOLDER 1/4"	2110120
flexihose:	FLEXI HOSE 10MM ODF	2464241
compressor:	NEK6210Z	268BA51..AN
fankit:	AXIAL FAN 230V/50HZ/1PH	1996726

For additional accessories please contact our technical support

ELECTRICAL DATA

Motor Type:	CSIR -
Locked Rotor Amperage (RLA):	19.5 A
Max.Current:	2.78 A

At maximum evaporating temperature and maximum ambient temperature.

FAN MOTOR

Number:	1 -
Shaft Power:	- W
Air Flow:	840 m ³ /hod
Blade Diameter:	250 mm

PERFORMANCE CURVE DATA

Standard: EN13215_RG20 / return gas 20°C, subcooling 3K

50 Hz

	Evaporating Temperature (°C)	Cooling Capacity (W)	Power Consumption (W)	Current Consumption (A)	Efficiency (W)
25°C Ambient Temperature	10°C	1 333	528	3.03	2.53
	5°C	1 140	476	2.86	2.39
	0°C	963	430	2.70	2.24
	-5°C	802	389	2.57	2.06
	Rated point -10°C	656	353	2.47	1.86
	-15°C	527	322	2.39	1.64
32°C Ambient Temperature	10°C	1 212	544	3.13	2.23
	5°C	1 036	491	2.94	2.11
	0°C	875	444	2.78	1.97
	-5°C	728	401	2.65	1.81
	Rated point -10°C	596	364	2.55	1.64
	-15°C	479	331	2.47	1.45
43°C Ambient Temperature	5°C	872	532	3.07	1.64
	0°C	731	479	2.87	1.53
	-5°C	602	431	2.71	1.40
	Rated point -10°C	487	387	2.58	1.26
	-15°C	385	348	2.47	1.10