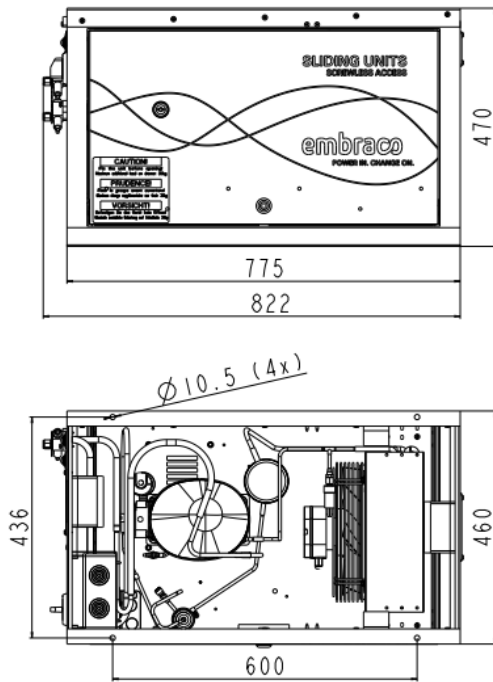


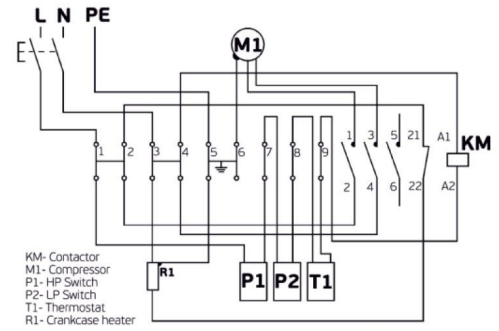
GENERAL DATA

Application:	LBP
Refrigerant:	R404A
Expansion Device:	C-V
Weight:	60 kg
Receiver:	1.1 liter
Voltage/Frequency:	220 - 240 V 50 ~
Height:	60 mm
Length:	822 mm
Width:	460 mm
Institute Approvals:	CE

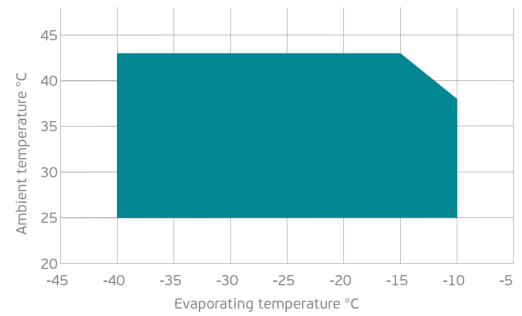
EXTERNAL DIMENSIONS



WIRING DIAGRAM



OPERATING ENVELOPE



COMPONENTS (SPARE PARTS)

condenser:	3R11T	2451206	hpressostat:	P100CP-106D	2466034
lpressostat:	PS1-A3K	2466036	dryer:	FILTER DRYER 6MM ODF	2730006
sightglass:	SIGHT GLASS 6MM ODF	2464031	valve_suca:	SOLDER 3/8"	2110119
valve_disch:	SOLDER 1/4"	2110120	heater:	CRANKCASE HEATER 230V/40W	2464205
flexihose:	FLEXI HOSE 10MM ODF	2464241	compressor:	NEK2150GK	959AA51..AM
elkit:	ELKOM NEK2150GK	959AA51N1A	fankit:	AXIAL FAN 230V/50HZ/1PH	1996726

For additional accessories please contact our technical support

ELECTRICAL DATA

Motor Type:	CSIR -
Locked Rotor Amperage (RLA):	19.5 A
Max.Current:	4.17 A

At maximum evaporating temperature and maximum ambient temperature.

FAN MOTOR

Number:	1 -
Shaft Power:	- W
Air Flow:	840 m ³ /hod
Blade Diameter:	250 mm

PERFORMANCE CURVE DATA

Standard: EN13215_RG20 / return gas 20°C, subcooling 3K

50 Hz

	Evaporating Temperature (°C)	Cooling Capacity (W)	Power Consumption (W)	Current Consumption (A)	Efficiency (W)
25°C Ambient Temperature	-10°C	923	674	3.99	1.37
	-15°C	785	602	3.72	1.30
	-20°C	659	536	3.49	1.23
	-25°C	544	477	3.29	1.14
	-30°C	441	422	3.13	1.04
	Rated point -35°C	349	374	3.00	0.93
	-40°C	268	331	2.90	0.81
32°C Ambient Temperature	-10°C	840	695	4.12	1.21
	-15°C	713	620	3.84	1.15
	-20°C	598	552	3.59	1.08
	-25°C	494	491	3.39	1.01
	-30°C	400	435	3.22	0.92
	Rated point -35°C	318	386	3.10	0.82
	-40°C	246	343	3.01	0.72
43°C Ambient Temperature	-15°C	611	661	4.09	0.92
	-20°C	510	587	3.82	0.87
	-25°C	420	520	3.59	0.81
	-30°C	340	461	3.42	0.74
	Rated point -35°C	270	409	3.28	0.66
	-40°C	210	364	3.19	0.58