

**200-240V 50Hz / 230V 60Hz 1~****GENERAL DATA****Application:** MBP**Refrigerant:** R404A**Compressor Cooling:** Fan**Fan air flow:** 520 m3/h**Maximum Condensing Pressure - Operating:** 24.71 bar**Maximum Condensing Pressure - Peak:** 27.71 bar**Type:** Hermetic reciprocating**Technology Type:** On-Off**Expansion Device:** Capillary Tube or Expansion Valve**Packing Quantity:** Single - 1 pc**Displacement:** 14.5 cm<sup>3</sup>**Horse power:** 3/4 hp
**Approvals:**




**MECHANICAL DATA****Bore:** 34.12 mm**Stroke:** 15.87 mm**Oil Charge:** 450ml +/-15ml**Free Internal Volume:** 3.3 cm<sup>3</sup>**Maximum Recommended Refrigerant Charge:** 800 ml**Oil Type Configuration:** Polyolester**Oil Type Viscosity:** ISO22**Compressor pressurization:** Dry air charge**Weight:** 17.5 kg**ELECTRICAL DATA****Motor Type:** CSR**Starting Torque:** HST**Voltage working range at 50 Hz:** 180-254 V**Voltage working range at 60 Hz:** 207-253 V**Maximum Motor Temperature:** 130 °C**Start Winding Resistance:** 12.87 Ω (± 10%) at 25°C**Run Winding Resistance:** 2.05 Ω (± 10%) at 25°C**MOUNTING ACCESSORIES**

	Description	Code
<b>Terminal Board:</b>	no	-
<b>Anchorage:</b>	no	-
<b>Capacitor Bracket:</b>	no	-
<b>Grommets:</b>	yes	2221004
<b>Sleeves:</b>	yes	2222016
<b>Washer:</b>	no	-
<b>Pin:</b>	no	-
<b>Clip:</b>	no	-
<b>Rotolock valve:</b>	no	-
<b>Overload Protector Bracket:</b>	yes	2075299
<b>Cover:</b>	yes	2075278

**ELECTRICAL COMPONENTS**

	Component type	Description	Code
<b>Run Capacitor:</b>		17.5 MFD	2253311
<b>Start Capacitor:</b>		88-108 MFD 330V	2252269
<b>Starting Device:</b>	Potential relay	RVA4AL3C-649	1253015
<b>Motor Protection:</b>	External 3/4"	T0590/G9	2321091
<b>CSR / CSIR Box:</b>	yes		1262282

**EXTERNAL CHARACTERISTICS****Base Plate:** Universal**Tray Holder:** No**Height:** 220 mm

	Internal Diameter (mm)	Material	Shape
<b>Suction Connector</b>	9.6	Copper	Vertical
<b>Discharge Connector</b>	6.42	Copper	Vertical
<b>Process Connector</b>	6.42	Copper	Vertical



**RATED POINT DATA**

Cooling Capacity (W)	Power Consumption (W)	Current Consumption (A)	Gas Flow Rate (kg/h)	Efficiency (w/W)
±5%	±5%	±5%	±5%	±7%
321	628	3.18	32.91	0.51

**Test condition:** EN 12900, Fan, Return Gas 20°C, Subcooling OK, Evaporating: -10°C, Condensing: 45°C, Ambient: 35°C

**PERFORMANCE CURVE DATA****200V 50Hz**

Condensing Temperature (°C)	Evaporating Temperature (°C)	Cooling Capacity (W)	Power Consumption (W)	Current Consumption (A)	Gas Flow Rate (kg/h)	Efficiency (w/W)
		±5%	±5%	±5%	±5%	±7%
<b>35°C</b>	10	2 892	774	3.51	80.35	3.74
	5	2 451	731	3.42	67.05	3.35
	0	2 049	688	3.31	55.27	2.98
	-5	1 687	644	3.18	44.94	2.62
	-10	1 366	598	3.03	36.00	2.28
	-15	1 086	550	2.86	28.37	1.97
	-20	848	500	2.67	21.99	1.70

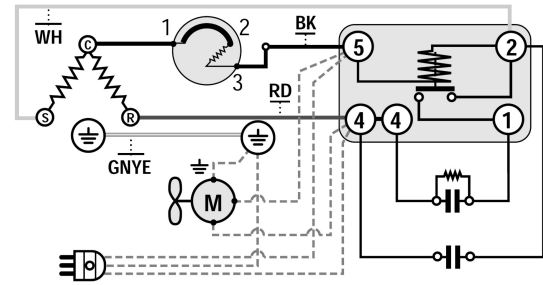
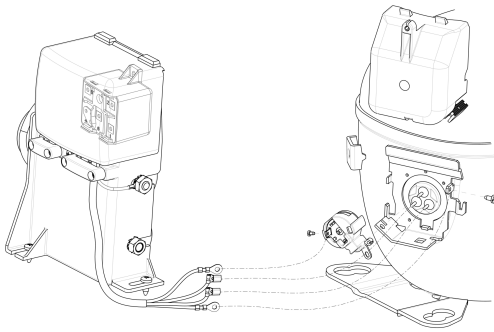
Condensing Temperature (°C)	Evaporating Temperature (°C)	Cooling Capacity (W)	Power Consumption (W)	Current Consumption (A)	Gas Flow Rate (kg/h)	Efficiency (w/W)
		±5%	±5%	±5%	±5%	±7%
<b>45°C</b>	10	2 356	848	4.10	75.17	2.78
	5	1 989	791	3.87	62.37	2.51
	0	1 657	736	3.65	51.10	2.25
	-5	1 359	682	3.41	41.30	1.99
	-10	1 096	628	3.18	32.91	1.75
	-15	869	573	2.93	25.84	1.52
	-20	680	518	2.68	20.04	1.31

Condensing Temperature (°C)	Evaporating Temperature (°C)	Cooling Capacity (W)	Power Consumption (W)	Current Consumption (A)	Gas Flow Rate (kg/h)	Efficiency (w/W)
		±5%	±5%	±5%	±5%	±7%
<b>55°C</b>	10	1 868	932	4.72	70.94	2.00
	5	1 572	860	4.36	58.56	1.83
	0	1 305	791	4.01	47.73	1.65
	-5	1 067	725	3.68	38.39	1.47
	-10	859	660	3.35	30.47	1.30

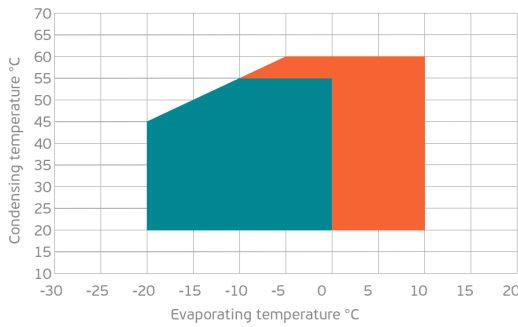
**Test condition:** EN 12900, Fan, Return Gas 20°C, Subcooling OK, Evaporating: -10°C, Condensing: 45°C, Ambient: 35°C

**ASSEMBLY INSTRUCTION**

**WIRING DIAGRAM**



**OPERATING ENVELOPE**



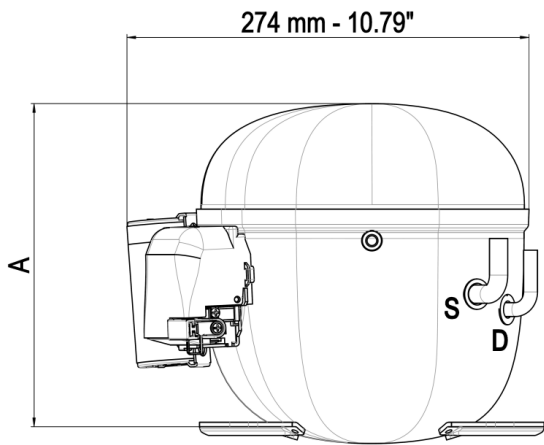
- Operating Condition
- Transient Condition
- Superheating

**NOTE:** usage of compressors outside of intended working range cannot make use of the warranty, or should be consulted with Technical support.

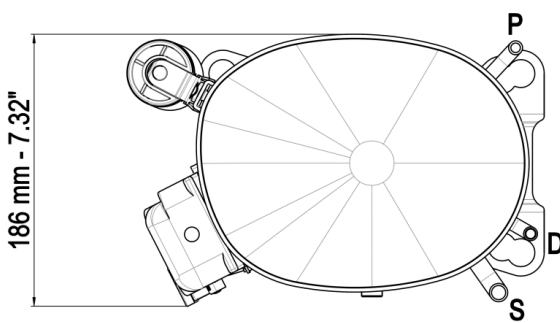
**PERFORMANCE CURVE DATA**

Condensing Temperature (°C)	Evaporating Temperature (°C)	Cooling Capacity (W)	Power Consumption (W)	Current Consumption (A)	Gas Flow Rate (kg/h)	Efficiency (w/W)
		±5%	±5%	±5%	±5%	±7%
<b>45.0°C</b>	-5°C	1 359	682	3.41	41.30	1.99

Out of intended working range, results are only informative.



	∅ mm	∅ in	material
<b>S - Suction</b>	9.60 - 9.67	3/8	Cu
<b>P - Process</b>	6.42 - 6.50	1/4	Cu
<b>S - Discharge</b>	6.42 - 6.50	1/4	Cu



∅ 19 mm - 0.75" (x8)

