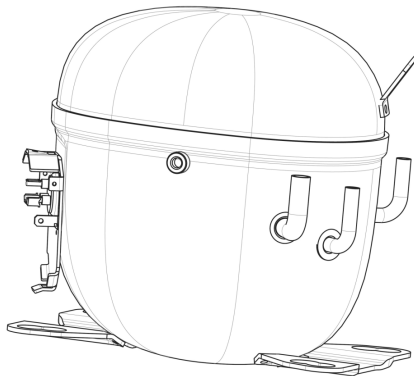


220-240V 50Hz 1~



GENERAL DATA

Application: LBP
Refrigerant: R404A
Evaporating Temperature Range: -40°C to -10°C
Compressor Cooling: Fan
Fan air flow: 520 m3/h
Maximum Condensing Pressure - Operating: 24.71 kgf/cm2 (psig)
Maximum Condensing Pressure - Peak: 27.71 kgf/cm2 (psig)
Type: Hermetic reciprocating
Technology Type: On-Off
Expansion Device: Capillary Tube or Expansion Valve
Packing Quantity: Single - 1 pc

Approvals:    

MECHANICAL DATA

Bore: 36.99 mm
Stroke: 19.03 mm
Free Internal Volume: 3.3 l
Maximum Recommended Refrigerant Charge: 800 ml
Weight: 18.2 kg

ELECTRICAL DATA

Motor Type: CSR -
Starting Torque: HST -
Maximum Motor Temperature: 130 °C
Start Winding Resistance: 8.4 Ω (± 10%) at 25°C
Run Winding Resistance: 1.9 Ω (± 10%) at 25°C
Locked Rotor Amperage (RLA): - A

MOUNTING ACCESSORIES

	Description	Code
Grommets:	-	2221004
Sleeves:	-	2222016
Overload Protector Bracket:	yes	2075299
Cover:	yes	2075278

ELECTRICAL COMPONENTS

	Component type	Description	Code
Run Capacitor:	-	17.5 MFD	2253311
Starting Device:	Potential relay	RVA403C-123	1253023
Start Capacitor:	-	130-156 MFD 330V	2252274
Motor Protection:	External 3/4"	T0659/G9	2321113
CSR / CSIR Box:	yes	-	1262253

EXTERNAL CHARACTERISTICS

Base Plate: Universal
Tray Holder: No
Height: 234

	Internal Diameter (mm)	Material	Shape
Suction Connector	9.6	Copper	Vertical
Discharge Connector	6.42	Copper	Vertical
Process Connector	6.42	Copper	Vertical

PERFORMANCE CURVE DATA

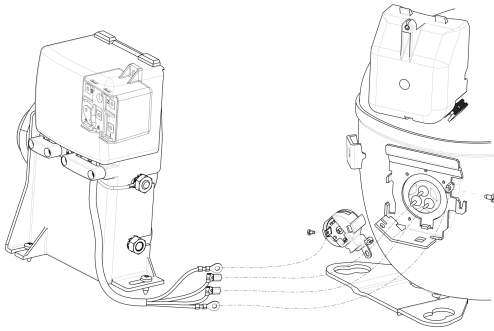
220-240V 50Hz

Condensing Temperature (°C)	Evaporating Temperature (°C)	Cooling Capacity (w)	Power Consumption (W)	Current Consumption (A)	Gas Flow Rate	Efficiency (w/W)
		±5%	±5%	±5%	±5%	±7%
35°C	-10	1 908	819	4.11	50.30	2.33
	-15	1 558	750	3.79	40.72	2.08
	-20	1 251	682	3.48	32.42	1.84
	-25	985	615	3.18	25.36	1.60
	-30	761	550	2.91	19.49	1.38
	-35	578	488	2.67	14.76	1.18
	-40	438	430	2.45	11.13	1.02

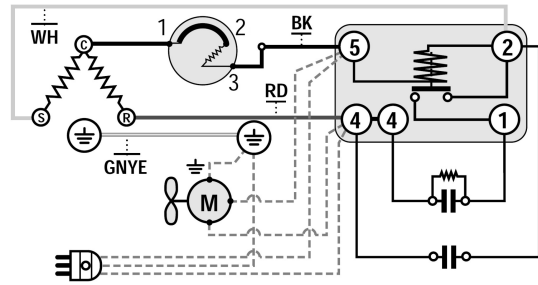
Condensing Temperature (°C)	Evaporating Temperature (°C)	Cooling Capacity (w)	Power Consumption (W)	Current Consumption (A)	Gas Flow Rate	Efficiency (w/W)
		±5%	±5%	±5%	±5%	±7%
45°C	-10	1 589	890	4.39	47.71	1.79
	-15	1 298	814	4.03	38.60	1.60
	-20	1 039	736	3.68	30.64	1.41
	-25	813	657	3.34	23.80	1.24
	-30	620	578	3.01	18.03	1.07
	-35	459	500	2.70	13.28	0.92

Condensing Temperature (°C)	Evaporating Temperature (°C)	Cooling Capacity (w)	Power Consumption (W)	Current Consumption (A)	Gas Flow Rate	Efficiency (w/W)
		±5%	±5%	±5%	±5%	±7%
55°C	-10	1 251	970	4.73	44.35	1.29
	-15	1 021	882	4.32	35.77	1.16
	-20	814	791	3.92	28.23	1.03
	-25	631	697	3.52	21.68	0.91
	-30	471	600	3.12	16.07	0.78

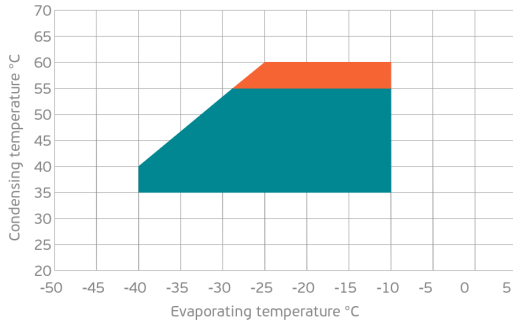
ASSEMBLY INSTRUCTION



WIRING DIAGRAM

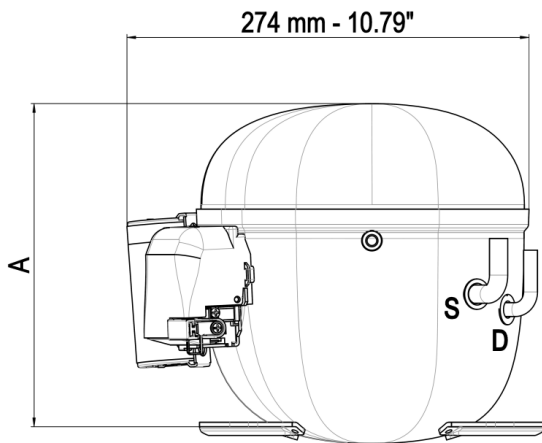


OPERATING ENVELOPE

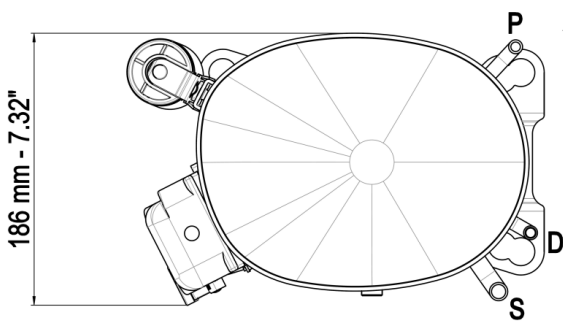


- Operating Condition
- Transient Condition
- Superheating

NOTE: usage of compressors outside of intended working range cannot make use of the warranty, or should be consulted with Technical support.



	∅ mm	∅ in	material
S - Suction	9.60 - 9.67	3/8	Cu
P - Process	6.42 - 6.50	1/4	Cu
S - Discharge	6.42 - 6.50	1/4	Cu



∅ 19 mm - 0.75" (x8)

