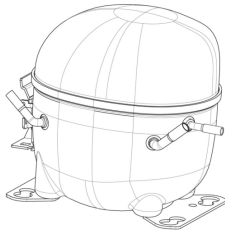


220-240V 50Hz 1~**GENERAL DATA****Application:** MBP**Refrigerant:** R290**Evaporating Temperature Range:** -20°C to 10°C**Compressor Cooling:** Fan**Fan air flow:** 520 m³/h**Maximum Condensing Pressure - Operating:** 18.07 kgf/cm² (psig)**Maximum Condensing Pressure - Peak:** 20.16 kgf/cm² (psig)**Type:** Hermetic reciprocating**Technology Type:** On-Off**Expansion Device:** Capillary Tube or Expansion Valve**Packing Quantity:** Single - 1 pcApprovals:  **MECHANICAL DATA****Bore:** 26.5 mm**Stroke:** 13.2 mm**Free Internal Volume:** 2.1 l**Maximum Recommended Refrigerant Charge:** 350 ml**Weight:** 10.3 kg**ELECTRICAL DATA****Motor Type:** CSIR -**Starting Torque:** HST -**Maximum Motor Temperature:** 130 °C**Start Winding Resistance:** 28.2 Ω (± 10%) at 25°C**Run Winding Resistance:** 6.1 Ω (± 10%) at 25°C**Locked Rotor Amperage (RLA):** 14 A**MOUNTING ACCESSORIES**

	Description	Code
Cover:	yes	2075282
Grommets:	-	2221011
Sleeves:	-	2222018
Terminal:	yes	1027060
Overload Protector Bracket:	yes	2075299
Capacitor Bracket:	yes	2256008

ELECTRICAL COMPONENTS

	Component type	Description	Code
Start Capacitor:	-	43-53 MFD 330V	2252347
Motor Protection:	External 3/4"	T0186/G6	2319069
Starting Device:	Current relay	MTRP-0029-65	2334105

EXTERNAL CHARACTERISTICS**Base Plate:** European**Tray Holder:** No**Height:** 188

	Internal Diameter (mm)	Material	Shape
Suction Connector	8.1	Copper	Slanted 42°
Discharge Connector	6.1	Copper	Straight
Process Connector	6.1	Copper	Slanted 42°

RATED POINT DATA**220-240V 50Hz**

Cooling Capacity (w)	Power Consumption (W)	Current Consumption (A)	Gas Flow Rate	Efficiency (w/W)
	±5%	±5%	±5%	±7%
960	381	2.43	0.00	2.52

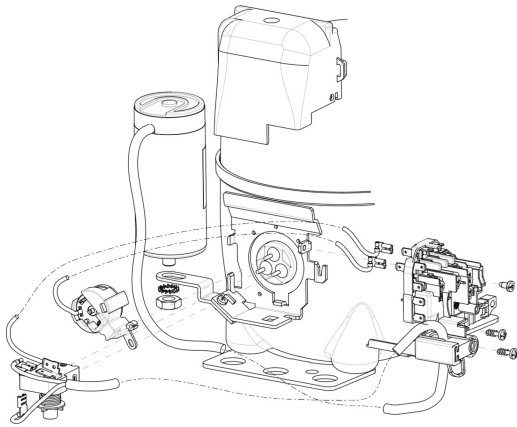
PERFORMANCE CURVE DATA**220-240V 50Hz**

Condensing Temperature (°C)	Evaporating Temperature (°C)	Cooling Capacity (w)	Power Consumption (W)	Current Consumption (A)	Gas Flow Rate	Efficiency (w/W)
		±5%	±5%	±5%	±5%	±7%
35°C	10	1 339	297	2.12	0.00	4.51
	5	1 138	290	2.11	0.00	3.92
	0	954	283	2.09	0.00	3.37
	-5	791	275	2.06	0.00	2.88
	-10	652	264	2.03	0.00	2.47
	-15	543	250	1.98	0.00	2.17
	-20	466	231	1.93	0.00	2.02

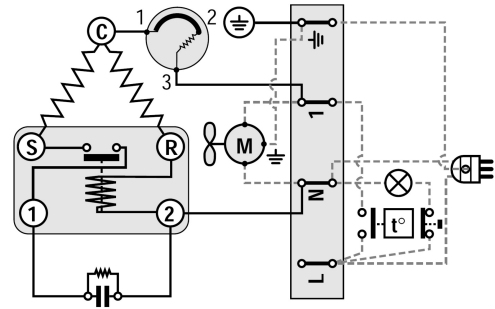
Condensing Temperature (°C)	Evaporating Temperature (°C)	Cooling Capacity (w)	Power Consumption (W)	Current Consumption (A)	Gas Flow Rate	Efficiency (w/W)
		±5%	±5%	±5%	±5%	±7%
45°C	10	1 185	344	2.28	0.00	3.45
	5	1 007	333	2.25	0.00	3.02
	0	844	322	2.21	0.00	2.62
	-5	697	309	2.17	0.00	2.26
	-10	572	293	2.11	0.00	1.95
	-15	472	273	2.05	0.00	1.73
	-20	401	248	1.97	0.00	1.62

Condensing Temperature (°C)	Evaporating Temperature (°C)	Cooling Capacity (w)	Power Consumption (W)	Current Consumption (A)	Gas Flow Rate	Efficiency (w/W)
		±5%	±5%	±5%	±5%	±7%
55°C	10	1 040	393	2.47	0.00	2.65
	5	886	377	2.41	0.00	2.35
	0	741	360	2.35	0.00	2.06
	-5	611	341	2.27	0.00	1.79
	-10	498	319	2.19	0.00	1.56

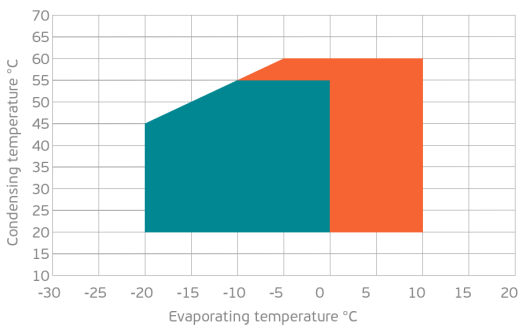
ASSEMBLY INSTRUCTION



WIRING DIAGRAM

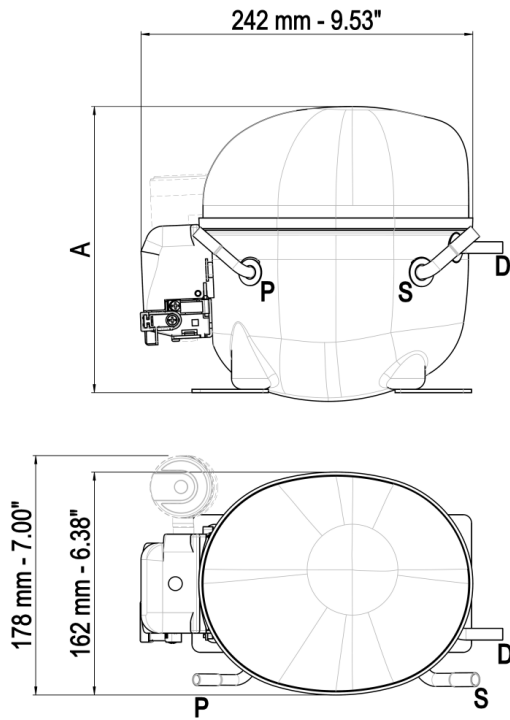


OPERATING ENVELOPE



- Operating Condition
- Transient Condition
- Superheating

NOTE: usage of compressors outside of intended working range cannot make use of the warranty, or should be consulted with Technical support.



DWG02	∅ mm	∅ in	material
S - Suction	6.10 - 6.20	0.24	Cu
P - Process	6.10 - 6.20	0.24	Cu
S - Discharge	4.86 - 5.02	3/16	Cu

DWG03	∅ mm	∅ in	material
S - Suction	8.10 - 8.20	0.32	Cu
P - Process	6.10 - 6.20	0.24	Cu
S - Discharge	6.10 - 6.20	0.24	Cu

