

iCOOL Condensing Units

Technical Brochure



Table of contents

1. General Information	3
2. Type code description	3
3. Units specification	4
3.1. Components.....	4
4. Technical data	5
5. Capacity tables	7
6. Units drawings.....	20
6.1. iCOOL 4.5 MHP 3 MP	20
6.2. iCOOL 7 MHP	21
6.3. iCOOL 10 MHP	22
6.4. iCOOL 12 MHP	23
6.5. iCOOL 10 MP 15 MHP	24
6.6. iCOOL 17D MHP 21D MHP.....	25
6.7. iCOOL 17D MP 26D MHP 29D MHP	26
6.8. iCOOL 39D MHP 43D MHP.....	27
7. Schematic diagrams	28
7.1. iCOOL 3 MP.....	28
7.2. iCOOL 4.5 MHP 7 MHP.....	28
7.3. iCOOL 10 MHP	29
7.4. iCOOL 12 MHP	29
7.5. iCOOL 10 MP.....	30
7.6. iCOOL 15 MHP	30
7.7. iCOOL 17D MHP 21D MHP.....	31
7.8. iCOOL 17D MP	31
7.9. iCOOL 26D MHP 29D MHP.....	32
7.10. iCOOL 39 MHP 43D MHP	32

1. General Information

- Refrigeration iCOOL condensing units are designed for automatic operation in refrigerated storage rooms, refrigeration cabinets, liquid coolers and other equipment the operating parameters of which meet the requirements of unit's characteristics.
- Condensing units are designed to be used with HFC refrigerants. Refrigerants allowed for specific units are listed in table below. Filling or refilling these units with any other refrigerant type can cause damage. The units must not operate in conditions exceeding their working parameters. Doing otherwise can cause damage to the unit and will void the warranty.

Table of permitted refrigerants:

	iCOOL 4.5 MHP	iCOOL 7 MHP	iCOOL 10 MHP	iCOOL 12 MHP	iCOOL 15 MHP	iCOOL 17D MHP	iCOOL 21D MHP	iCOOL 26D MHP	iCOOL 29D MHP	iCOOL 39D MHP	iCOOL 43D MHP	iCOOL 3 MP	iCOOL 10 MP	iCOOL 17D MP
R404A	✓	✓	✓	✓	✓	✓	✓	✓	✓	✓	✓	✓	✓	✓
R448A	✓	✓	✓	✓	✓	✓	✓	✓	✓	✓	✓	✓	✓	✓
R449A	✓	✓	✓	✓	✓	✓	✓	✓	✓	✓	✓	✓	✓	✓
R134a	✓	✓	✓	✓	✓	✓	✓	✓	✓	✓	✓			
R513A	✓	✓	✓	✓	✓	✓	✓	✓	✓	✓	✓			

2. Type code description

iCOOL	17D	MHP
<ul style="list-style-type: none"> • condensing unit in housing equipped with an inverter compressor 	<ul style="list-style-type: none"> • 17-approximated cooling capacity, kW • D-Dual compressor 	<ul style="list-style-type: none"> • MP - medium temperature • MHP - high temperature

3. Units specification

3.1. Components

- Panasonic or Avic hermetic inverter compressor or tandem of Panasonic compressors (inverter + fixed speed) with crankcase heater
- Air-cooled condenser
- EC fans with speed regulator
- Suction accumulator on suction line
- Shut-off valve on suction line
- Insulation on suction pipeline
- Oil separator and check valve for each compressor
- Liquid receiver with shut-off valve on the outlet
- Safety valve
- Liquid line: filter drier, sight glass with moisture indicator, shut-off valve
- Service valves
- MHP/LP pressure switch with auto reset – compressor protection
- LP pressure switch – safety mode of operation (optional),
- Inverter – control of compressor's performance,
- Soundproof housing
- Suction pressure sensor
- Fully equipped electrical board
- Condenser protective grid
- Optional monitoring

4. Technical data

Condensing Unit Type				iCOOL 4.5 MHP	iCOOL 7 MHP	iCOOL 10 MHP	iCOOL 12 MHP	iCOOL 15 MHP	iCOOL 17D MHP	iCOOL 21D MHP	iCOOL 26D MHP	iCOOL 29D MHP	iCOOL 39D MHP	iCOOL 43D MHP
Dimensions	Length	A	[mm]	1106	1140	1289	1420	1322	1521	1521	1528	1528	1670	1670
	Height	B	[mm]	560	760	963	963	1493	1493	1493	1488	1488	1695	1695
	Width	C	[mm]	466	439	439	439	475	475	475	879	879	1090	1090
Weight gross			[kg]	118	135	176	196	256	310	311	400	430	520	520
Condenser	N° x f		[mm]	1x450	1x630	1x630	1x710	2x630	2x630	2x630	2x630	2x630	1x800	1x800
	Air flow		[m³/h]	3850	5496	6150	6920	11150	11150	11150	12600	12600	21000	21000
	Fan supply		[V/ph/Hz]	200-240/1/50	200-240/1/50	200-277/1/50	200-277/1/50	200-277/1/50	200-277/1/50	200-277/1/50	200-240/1/50	200-277/1/50	380-400/3/50	380-400/3/50
	Fan power consumption		[W]	170	230	230	230	2x230	2x230	2x230	2x230	2x230	1950	1950
	Rated current		[A]	1,4	1,2	1,2	1,2	2x1,2	2x1,2	2x1,2	2x1,2	2x1,2	3,3	3,3
Compressor	Model			C-7RVN113L0A	C-7RVN153L0A	C-SBS180H00B	C-SBS180H00B	C-SBVN373L0B	C-SBS180H00B/ C-SBN303H8G	C-SBS180H00B/ C-SBN453H8G	C-SBVN373L0B/ C-SBN453H8G	C-SBVN373L0B/ C-SCN603H8T	4CC149NA04/ C-SCN753H8T	4CC149NA04/ C-SCN903H8T
	Displacement		[m³/h]	1,25-7,5	1,7-10,4	5,8-17,4	5,8-19,2	7,7-24,6	5,8-17,4 / 11,6	5,8-17,4 / 14,7	7,7-24,6 / 14,7	7,7-24,6 / 23,6	10,7-39,3/30,3	10,7-39,3/36,2
	Frequency		[Hz]	Inv. /30-180	Inv. /30-180	Inv. /30-90	Inv. /30-100	Inv. /30-80	Inv. /30-90 400/3/50	Inv. /30-90 400/3/50	Inv. /30-80 400/3/50	Inv. /30-80 400/3/50	Inv. /20-75 400/3/50	Inv. /20-75 400/3/50
	Current	MCC	[A]	12	12	16	17,5	18,5	16/11,1	27/13,8	16/13,8	17,5/13,8	31/26	31/26
		LRA	[A]	-	-	-	-	-	- / 48	- / 66	- / 66	- / 66	- / 96	- / 96
	Oil type			FV68S	FV68S	FV68S	FV68S	FV68S	FV68S	FV68S	FV68S	FV68S	FV68S	FV68S
	Oil compressor charge		[dm³]	0,7	0,7	2	2	2	2/1,7	2,0/1,7	1,3	2,0/2,8	2,8/2,8	2,8/2,8
Heater		[W]	40	40	70	70	90	2x70	2x70	40	2x90	2x90	2x90	
Volume @10 m			[dBa]	39	39	39,3	40	44	44	44	44	44	43	43
Connections	Suction		[mm]	16	18	22	22	28	28	28	35	35	42	42
	Liquid		[mm]	10	10	12	12	16	16	16	22	22	22	22
Liquid receiver			[dm³]	3,9	7,1	10	10	15	15	15	15	15	30	30
CU Power supply	Voltage		[V/ph/Hz]	380-415/3/50	380-415/3/50	380-415/3/50	380-415/3/50	380-415/3/50	380-415/3/50	380-415/3/50	380-415/3/50	380-415/3/50	380-415/3/50	380-415/3/50
	Recommended min cross section of power supply cables			5x1,5mm2	5x2,5mm2	5x4mm2	5x4mm2	5x4mm2	5x6mm2	5x6mm2	5x10mm2	5x10mm2	5x10mm2	5x10mm2
	Recommended minimum protection			B16	C16/B25	C25/B32	C32	C40	C40	C40	C40	C50	C50	C50

Condensing Unit Type				iCOOL 3 MP	iCOOL 10 MP	iCOOL 17D MP
Dimensions	Length	A	[mm]	1106	1322	1528
	Height	B	[mm]	560	1493	1488
	Width	C	[mm]	466	475	879
Weight gross			[kg]	125	286	460
Condenser	N° x f		[mm]	1x450	2x630	2x630
	Air flow		[m³/h]	3850	11150	12600
	Fan supply		[V/ph/Hz]	200-277/1/50	200-277/1/50	200-277/1/50
	Fan power consumption		[W]	170	2x230	2x230
	Rated current		[A]	1,4	2x1,2	2x1,2
Compressor	Model			C-7RVN153LOA	C-SCVN603LOJ	C-SCVN603LOJ/ C-SCN603L8H
	Displacement		[m³/h]	1,7-10,4	10,0-37,6	10-37,6 / 23,8
	Frequency		[Hz]	Inv. /30-180	Inv. /20-75	Inv. /20-75 400/3/50
	Current	MCC	[A]	12	24,6	24,6/17,3
		LRA	[A]	-	-	- / 80
	Oil type			FV68S	FV32S	FV32S
	Oil compressor charge		[dm³]	0,7	2,5	2,5/2,5
Heater		[W]	40	2x90	2x90	
Volume @10 m			[dBa]	38	44	44
Connections	Suction		[mm]	18	28	35
	Liquid		[mm]	10	16	22
Liquid receiver			[dm³]	3,9	15	15
CU Power supply	Voltage		[V/ph/Hz]	380-415/3/50	380-415/3/50	380-415/3/50
	Recommended min cross section of power supply cables			5x2,5mm2	5x4mm2	5x10mm2
	Recommended minimum protection			C16/B25	C32	C50

5. Capacity tables

R404A		Capacity (subcooling: 3 K, superheat: 10 K)												
Model	Range	T _e , °C	-15		-10		-5		0		5		10	
		T _a , °C	Q, W	Pe, W	Q, W	Pe, W	Q, W	Pe, W	Q, W	Pe, W	Q, W	Pe, W	Q, W	Pe, W
iCOOL 4.5 MHP	min	27	685	377	824	396	981	418	1 155	442	1 346	471	-	-
		32	672	398	812	421	969	446	1 141	475	1 329	508	-	-
		38	661	426	799	452	952	482	1 119	515	1 298	554	-	-
		43	648	451	782	480	929	513	1 088	550	1 257	593	-	-
	max	27	4 107	2 259	4 944	2 377	5 886	2 506	6 931	2 653	8 075	2 824	-	-
		32	4 034	2 389	4 873	2 525	5 812	2 675	6 848	2 847	7 973	3 048	-	-
		38	3 965	2 557	4 791	2 714	5 709	2 890	6 712	3 091	7 789	3 324	-	-
		43	3 888	2 705	4 689	2 879	5 572	3 075	6 528	3 298	7 540	3 555	-	-
iCOOL 7 MHP	min	27	1 042	524	1 225	549	1 429	574	1 654	599	1 901	624	-	-
		32	973	612	1 160	634	1 367	656	1 595	679	1 845	701	-	-
		38	947	649	1 134	670	1 343	691	1 573	713	1 824	734	-	-
		43	929	677	1 117	697	1 326	718	1 556	739	1 808	760	-	-
	max	27	6 071	3 106	7 472	3 396	8 160	3 682	9 279	4 006	10 461	4 327	-	-
		32	5 898	3 391	7 215	3 662	7 901	3 935	8 964	4 248	10 077	4 565	-	-
		38	5 748	3 659	6 957	3 926	7 625	4 202	8 605	4 521	9 621	4 852	-	-
		43	5 613	3 855	6 667	4 134	7 371	4 425	8 268	4 766	9 194	5 122	-	-
iCOOL 10 MHP	min	27	2 527	2 833	3 216	2 701	4 080	2 604	5 146	2 505	6 439	2 495	7 978	2 495
		32	2 347	2 971	2 964	2 871	3 739	2 793	4 702	2 701	5 880	2 680	7 294	2 680
		38	2 142	3 151	2 681	3 094	3 357	3 045	4 204	2 970	5 250	2 938	6 519	2 938
		43	-	-	2 461	3 296	3 062	3 276	3 819	3 221	4 759	3 184	5 912	3 184
	max	27	9 471	5 393	11 226	5 547	13 275	5 682	15 659	5 810	18 404	5 943	21 528	6 094
		32	8 608	5 879	10 226	6 038	12 122	6 184	14 340	6 328	16 910	6 480	19 851	6 657
		38	7 627	6 548	9 091	6 716	10 812	6 875	12 835	7 036	15 195	7 212	17 911	7 416
		43	6 854	7 182	8 198	7 357	9 777	7 526	11 640	7 702	13 823	7 896	16 346	8 123
iCOOL 12 MHP	min	27	2 544	2 910	3 244	2 774	4 122	2 672	5 210	2 604	6 532	2 566	8 112	2 553
		32	2 364	3 048	2 989	2 943	3 777	2 860	4 759	2 800	5 964	2 760	7 415	2 735
		38	2 259	3 135	2 844	3 051	3 581	2 982	4 502	2 928	5 639	2 888	7 014	2 857
		43	-	-	2 482	3 365	3 095	3 339	3 866	3 309	4 828	3 274	6 009	3 232
	max	27	11 221	5 866	13 384	5 994	15 938	6 089	18 941	6 158	22 438	6 211	26 467	6 258
		32	10 204	6 364	12 195	6 497	14 554	6 601	17 344	6 685	20 613	6 756	24 401	6 827
		38	9 056	7 055	10 852	7 195	12 990	7 310	15 532	7 410	18 533	7 505	22 034	7 604
		43	8 157	7 711	9 804	7 857	11 765	7 983	14 108	8 097	16 889	8 209	20 152	8 331
iCOOL 15 MHP	min	27	4 622	2 159	5 679	2 141	6 965	2 128	8 517	2 119	10 369	2 116	12 548	2 120
		32	4 027	2 422	4 960	2 396	6 105	2 376	7 503	2 361	9 193	2 353	11 206	2 353
		38	3 382	2 853	4 183	2 808	5 174	2 770	6 401	2 739	7 907	2 717	9 730	2 704
		43	-	-	3 609	3 243	4 485	3 182	5 581	3 130	6 945	3 088	8 620	3 057
	max	27	15 011	6 347	17 618	6 650	20 589	6 976	23 962	7 326	27 766	7 701	32 027	8 100
		32	13 440	6 911	15 777	7 204	18 458	7 519	21 531	7 857	25 038	8 218	29 019	8 604
		38	11 699	7 683	13 756	7 960	16 123	8 255	18 863	8 571	22 037	8 910	25 700	9 274
		43	-	-	12 237	8 670	14 377	8 943	16 869	9 236	19 789	9 552	23 213	9 893
iCOOL 17D MHP	min	27	2 581	3 034	3 302	2 889	4 212	2 778	5 347	2 701	6 735	2 655	8 407	2 637
		32	2 399	3 170	3 043	3 055	3 860	2 963	4 884	2 893	6 147	2 843	7 680	2 811
		38	2 190	3 346	2 754	3 273	3 467	3 208	4 366	3 151	5 487	3 102	6 860	3 057
		43	2 025	3 505	2 529	3 471	3 163	3 433	3 967	3 391	4 975	3 346	6 220	3 294
	max	27	16 177	8 553	19 170	8 791	22 641	9 029	26 652	9 281	31 245	9 562	36 442	9 891
		32	14 687	9 367	17 446	9 615	20 648	9 866	24 363	10 135	28 641	10 440	33 508	10 797
		38	12 981	10 494	15 486	10 752	18 385	11 018	21 759	11 306	25 664	11 635	30 135	12 021
		43	11 625	11 564	13 940	11 832	16 605	12 108	19 704	12 410	23 301	12 755	27 434	13 161

R404A		Capacity (subcooling: 3 K, superheat: 10 K)												
Model	Range	T _e , °C	-15		-10		-5		0		5		10	
		T _a , °C	Q, W	Pe, W	Q, W	Pe, W	Q, W	Pe, W	Q, W	Pe, W	Q, W	Pe, W	Q, W	Pe, W
iCOOL 21D MHP	min	27	2 581	3 034	3 302	2 889	4 212	2 778	5 347	2 701	6 735	2 655	8 407	2 637
		32	2 399	3 170	3 043	3 055	3 860	2 963	4 884	2 893	6 147	2 843	7 680	2 811
		38	2 190	3 346	2 754	3 273	3 467	3 208	4 366	3 151	5 487	3 102	6 860	3 057
		43	2 025	3 505	2 529	3 471	3 163	3 433	3 967	3 391	4 975	3 346	6 220	3 294
	max	27	19 052	10 485	22 353	10 786	26 151	11 107	30 509	11 468	35 466	11 885	41 043	12 382
		32	17 122	11 532	20 167	11 843	23 684	12 180	27 743	12 561	32 388	13 006	37 643	13 535
		38	14 947	12 992	17 704	13 312	20 896	13 662	24 600	14 062	28 868	14 532	33 723	15 093
		43	13 252	14 390	15 784	14 714	18 714	15 071	22 124	15 481	26 067	15 966	30 567	16 544
iCOOL 26D MHP	min	27	4 733	2 041	5 836	2 018	7 186	1 998	8 826	1 981	10 794	1 968	13 121	1 960
		32	4 123	2 292	5 094	2 261	6 293	2 233	7 765	2 210	9 553	2 193	11 695	2 180
		38	3 464	2 708	4 295	2 658	5 328	2 613	6 615	2 574	8 202	2 542	10 132	2 516
		43	-	-	3 706	3 080	4 617	3 013	5 762	2 953	7 193	2 902	8 959	2 859
	Max	27	25 056	10 841	29 317	11 253	34 174	11 714	39 695	12 231	45 934	12 809	52 931	13 451
		32	22 394	11 928	26 262	12 331	30 696	12 782	35 780	13 289	41 582	13 856	48 159	14 489
		38	19 434	13 438	22 884	13 820	26 852	14 248	31 442	14 731	36 743	15 276	42 836	15 888
		43	17 170	14 879	20 321	15 237	23 942	15 637	28 153	16 092	33 063	16 608	38 776	17 195
iCOOL 29D MHP	min	27	4 733	2 041	5 836	2 018	7 186	1 998	8 826	1 981	10 794	1 968	13 121	1 960
		32	4 123	2 292	5 094	2 261	6 293	2 233	7 765	2 210	9 553	2 193	11 695	2 180
		38	3 464	2 708	4 295	2 658	5 328	2 613	6 615	2 574	8 202	2 542	10 132	2 516
		43	-	-	3 706	3 080	4 617	3 013	5 762	2 953	7 193	2 902	8 959	2 859
	max	27	27 594	12 716	32 251	13 216	37 527	13 778	43 508	14 415	50 258	15 138	57 829	15 959
		32	24 776	13 827	29 040	14 334	33 887	14 901	39 419	15 542	45 719	16 271	52 855	17 102
		38	21 621	15 336	25 471	15 848	29 847	16 416	34 875	17 059	40 658	17 790	47 291	18 627
		43	19 187	16 748	22 743	17 263	26 770	17 831	31 411	18 471	36 791	19 201	43 032	20 041
iCOOL 39D MHP	min	27	9 630	4 166	12 006	4 232	14 921	4 306	18 444	4 389	22 628	4 480	27 505	4 580
		32	8 801	4 554	10 876	4 617	13 422	4 685	16 517	4 762	20 228	4 847	24 605	4 941
		38	7 835	5 096	9 623	5 149	11 794	5 208	14 438	5 274	17 636	5 348	21 455	5 430
		43	7 055	5 611	8 666	5 654	10 584	5 701	12 907	5 755	15 725	5 816	19 122	5 885
	max	27	36 630	17 612	43 734	18 461	51 920	19 409	61 229	20 468	71 663	21 645	83 202	22 948
		32	33 454	19 158	39 854	20 017	47 233	20 970	55 668	22 029	65 202	23 205	75 847	24 505
		38	29 808	21 248	35 516	22 118	42 051	23 072	49 536	24 126	58 057	25 292	67 676	26 582
		43	26 905	23 192	32 172	24 072	38 120	25 027	44 906	26 074	52 656	27 227	61 475	28 503
iCOOL 43D MHP	min	27	9 630	4 166	12 006	4 232	14 921	4 306	18 444	4 389	22 628	4 480	27 505	4 580
		32	8 801	4 554	10 876	4 617	13 422	4 685	16 517	4 762	20 228	4 847	24 605	4 941
		38	7 835	5 096	9 623	5 149	11 794	5 208	14 438	5 274	17 636	5 348	21 455	5 430
		43	7 055	5 611	8 666	5 654	10 584	5 701	12 907	5 755	15 725	5 816	19 122	5 885
	max	27	39 285	18 815	46 826	19 856	55 499	21 022	65 334	22 321	76 326	23 758	88 453	25 339
		32	35 657	20 518	42 437	21 569	50 254	22 738	59 179	24 036	69 246	25 469	80 462	27 045
		38	31 539	22 822	37 565	23 883	44 480	25 050	52 405	26 337	61 424	27 756	71 590	29 314
		43	28 308	24 971	33 845	26 039	40 125	27 202	47 310	28 476	55 522	29 875	64 865	31 413

R404A		Capacity (subcooling: 3 K, superheat: 10 K)												
Model	Range	T _e , °C	-40		-35		-30		-25		-20		-15	
		T _a , °C	Q, W	Pe, W	Q, W	Pe, W	Q, W	Pe, W	Q, W	Pe, W	Q, W	Pe, W	Q, W	Pe, W
iCOOL 3 MP	min	27	450	389	532	415	635	442	760	469	906	497	1 075	526
		32	366	488	452	512	559	536	688	560	838	584	1 010	609
		38	314	559	401	581	511	603	642	625	795	648	969	671
		43	296	593	384	615	493	637	624	659	777	681	951	703
	max	27	2 457	2 195	2 996	2 455	3 644	2 730	4 390	3 019	5 223	3 319	6 127	3 630
		32	2 353	2 549	2 916	2 773	3 574	3 016	4 317	3 276	5 130	3 554	5 997	3 853
		38	2 282	2 823	2 859	3 029	3 513	3 258	4 232	3 510	5 001	3 790	5 802	4 101
		43	2 206	2 975	2 783	3 183	3 419	3 419	4 103	3 685	4 819	3 985	-	-

R404A		Capacity (subcooling: 3 K, superheat: 10 K)												
Model	Range	T _e , °C	-33		-30		-25		-20		-15		-10	
		T _a , °C	Q, W	Pe, W	Q, W	Pe, W	Q, W	Pe, W	Q, W	Pe, W	Q, W	Pe, W	Q, W	Pe, W
iCOOL 10 MP	min	27	2 189	3 136	2 541	3 231	3 275	3 347	4 243	5 499	5 510	3 281	7 102	3 026
		32	1 926	3 414	2 249	3 455	2 929	3 495	3 834	5 021	5 031	3 331	6 550	3 053
		38	1 639	3 880	1 928	3 856	2 543	3 804	3 375	4 481	4 490	3 523	5 922	3 217
		43	1 422	4 382	1 684	4 302	2 248	4 175	3 020	4 060	4 068	3 795	5 429	3 468
	max	27	8 200	8 304	9 309	8 678	11 548	9 347	14 240	10 065	17 331	10 823	20 759	11 610
		32	7 690	8 993	8 771	9 363	10 919	10 018	13 466	10 712	16 365	11 436	19 562	12 178
		38	7 104	9 928	8 154	10 286	10 195	10 909	12 571	11 561	15 245	12 230	18 172	12 907
		43	6 634	10 800	7 658	11 140	9 611	11 726	11 850	12 330	14 343	12 942	17 053	13 553
iCOOL 17D MP	min	27	2 192	3 133	2 545	3 229	3 281	3 346	4 251	3 375	5 510	3 281	7 117	3 026
		32	1 930	3 410	2 253	3 451	2 934	3 492	3 841	3 464	5 031	3 329	6 563	3 051
		38	1 642	3 874	1 932	3 850	2 548	3 799	3 381	3 701	4 490	3 518	5 934	3 212
		43	-	-	1 688	4 295	2 252	4 168	3 026	4 012	4 068	3 789	5 440	3 461
	max	27	13 941	13 362	15 733	13 923	19 285	14 916	23 546	15 981	28 501	17 117	34 127	18 320
		32	12 941	14 489	14 661	15 061	18 041	16 067	22 070	17 137	26 744	18 271	32 049	19 464
		38	11 794	16 014	13 431	16 593	16 611	17 603	20 370	18 669	24 716	19 789	29 650	20 960
		43	10 875	17 432	12 445	18 012	15 466	19 017	19 009	20 069	-	-	-	-

R448A		Capacity (subcooling: 3 K, superheat: 10 K)												
Model	Range	T _e , °C	-15		-10		-5		0		5		10	
		T _a , °C	Q, W	Pe, W	Q, W	Pe, W	Q, W	Pe, W	Q, W	Pe, W	Q, W	Pe, W	Q, W	Pe, W
iCOOL 4.5 MHP	min	27	658	362	791	380	942	401	1 109	424	1 292	452	-	-
		32	645	382	780	404	930	428	1 095	456	1 276	488	-	-
		38	635	409	767	434	914	463	1 074	494	1 246	532	-	-
		43	622	433	751	461	892	492	1 044	528	1 207	569	-	-
	max	27	4 212	2 251	4 927	2 349	5 766	2 456	6 746	2 576	7 878	2 712	-	-
		32	4 089	2 355	4 802	2 472	5 617	2 596	6 559	2 734	7 635	2 888	-	-
		38	3 955	2 489	4 651	2 627	5 425	2 773	6 297	2 930	7 277	3 101	-	-
iCOOL 7 MHP	min	27	1 011	508	1 188	533	1 386	557	1 604	581	1 844	605	-	-
		32	944	594	1 125	615	1 326	636	1 547	659	1 790	680	-	-
		38	919	630	1 100	650	1 303	670	1 526	692	1 769	712	-	-
		43	901	657	1 083	676	1 286	696	1 509	717	1 754	737	-	-
	max	27	6 226	3 095	7 447	3 357	7 993	3 609	9 031	3 890	10 205	4 156	-	-
		32	5 979	3 343	7 109	3 585	7 636	3 819	8 586	4 080	9 650	4 325	-	-
		38	5 734	3 562	6 754	3 800	7 245	4 032	8 073	4 286	8 989	4 526	-	-
iCOOL 10 MHP	min	27	2 401	2 691	3 056	2 566	3 876	2 474	4 889	2 380	6 117	2 370	7 580	2 370
		32	2 230	2 823	2 816	2 727	3 552	2 654	4 467	2 566	5 586	2 546	6 930	2 546
		38	2 035	2 994	2 547	2 939	3 189	2 893	3 994	2 821	4 988	2 791	6 193	2 791
		43	-	-	2 338	3 131	2 909	3 112	3 628	3 060	4 522	3 025	5 616	3 025
	max	27	9 282	5 285	11 001	5 436	13 010	5 568	15 346	5 694	18 036	5 824	21 097	5 972
		32	8 436	5 761	10 021	5 917	11 880	6 060	14 053	6 201	16 572	6 350	19 454	6 524
		38	7 474	6 417	8 909	6 582	10 596	6 738	12 578	6 895	14 891	7 068	17 553	7 268
iCOOL 12 MHP	min	27	2 521	2 826	3 208	2 694	4 070	2 597	5 133	2 499	6 423	2 489	7 959	2 489
		32	2 341	2 964	2 957	2 864	3 729	2 786	4 690	2 695	5 865	2 673	7 276	2 673
		38	2 136	3 143	2 674	3 086	3 349	3 038	4 194	2 962	5 237	2 931	6 503	2 931
		43	-	-	2 454	3 288	3 055	3 267	3 809	3 213	4 748	3 176	5 897	3 176
	max	27	11 508	5 845	13 339	5 925	15 612	5 968	18 435	5 980	21 890	5 965	26 048	5 927
		32	10 343	6 274	12 016	6 360	14 067	6 406	16 613	6 420	19 739	6 400	23 514	6 358
		38	9 033	6 867	10 536	6 965	12 343	7 014	14 572	7 025	17 316	7 001	20 635	6 946
iCOOL 15 MHP	min	27	3 546	2 099	4 409	2 087	5 479	2 069	6 785	2 048	8 351	2 025	10 191	2 005
		32	3 277	2 415	4 061	2 395	5 036	2 372	6 235	2 349	7 683	2 329	9 400	2 315
		38	2 972	2 858	3 673	2 827	4 546	2 797	5 626	2 772	6 943	2 754	8 519	2 746
		43	-	-	3 375	3 240	4 172	3 204	5 162	3 176	6 377	3 159	7 844	3 156
	max	27	12 928	5 867	15 713	6 177	18 747	6 499	22 020	6 833	25 527	7 179	29 266	7 538
		32	11 744	6 458	14 246	6 762	17 045	7 080	20 127	7 414	23 488	7 762	27 126	8 128
		38	10 438	7 250	12 628	7 541	15 166	7 851	18 038	8 182	21 243	8 533	24 782	8 906
iCOOL 17D MHP	min	27	2 452	2 882	3 137	2 744	4 002	2 639	5 079	2 566	6 399	2 522	7 986	2 505
		32	2 279	3 011	2 891	2 902	3 667	2 814	4 639	2 748	5 840	2 701	7 296	2 671
		38	2 081	3 179	2 616	3 109	3 293	3 048	4 148	2 994	5 213	2 947	6 517	2 904
		43	1 924	3 330	2 402	3 297	3 005	3 261	3 769	3 222	4 726	3 178	5 909	3 129
	max	27	15 259	8 450	18 770	8 787	22 588	9 120	26 634	9 454	30 845	9 804	35 188	10 185
		32	13 935	9 299	17 266	9 642	20 949	9 994	24 893	10 364	29 036	10 768	33 335	11 218
		38	12 435	10 513	15 537	10 859	19 049	11 232	22 867	11 647	26 927	12 116	31 176	12 658
43	11 262	11 696	14 168	12 041	17 521	12 433	21 231	12 883	25 213	13 407	29 423	14 027		

R448A		Capacity (subcooling: 3 K, superheat: 10 K)												
Model	Range	T _e , °C	-15		-10		-5		0		5		10	
		T _a , °C	Q, W	Pe, W	Q, W	Pe, W	Q, W	Pe, W	Q, W	Pe, W	Q, W	Pe, W	Q, W	Pe, W
iCOOL 21D MHP	min	27	2 452	2 882	3 137	2 744	4 002	2 639	5 079	2 566	6 399	2 522	7 986	2 505
		32	2 279	3 011	2 891	2 902	3 667	2 814	4 639	2 748	5 840	2 701	7 296	2 671
		38	2 081	3 179	2 616	3 109	3 293	3 048	4 148	2 994	5 213	2 947	6 517	2 904
		43	1 924	3 330	2 402	3 297	3 005	3 261	3 769	3 222	4 726	3 178	5 909	3 129
	max	27	17 613	10 388	21 636	10 886	25 960	11 400	30 473	11 942	35 095	12 522	39 789	13 158
		32	16 037	11 460	19 875	11 969	24 071	12 512	28 498	13 101	33 071	13 751	37 742	14 475
		38	14 250	13 002	17 846	13 519	21 873	14 090	26 186	14 737	30 695	15 470	35 336	16 312
		43	-	-	16 234	15 032	20 096	15 629	24 305	16 319	28 747	17 121	-	-
iCOOL 26D MHP	min	27	3 597	1 967	4 488	1 949	5 597	1 922	6 959	1 888	8 601	1 849	10 544	1 808
		32	3 326	2 274	4 134	2 247	5 144	2 215	6 391	2 179	7 908	2 142	9 716	2 106
		38	3 019	2 705	3 740	2 667	4 643	2 627	5 765	2 588	7 141	2 552	8 797	2 522
		43	-	-	3 438	3 068	4 261	3 022	5 288	2 980	6 556	2 945	8 093	2 918
	max	27	21 158	9 832	25 874	10 353	31 108	10 913	36 818	11 514	42 972	12 157	49 538	12 841
		32	19 166	10 907	23 514	11 429	28 422	11 995	33 852	12 606	39 773	13 264	46 156	13 967
		38	16 951	12 389	20 885	12 901	25 427	13 465	30 539	14 081	36 199	14 750	42 387	15 472
		43	15 256	13 795	18 871	14 290	23 128	14 844	27 996	15 457	33 454	16 130	39 496	16 864
iCOOL 29D MHP	min	27	3 597	1 967	4 488	1 949	5 597	1 922	6 959	1 888	8 601	1 849	10 544	1 808
		32	3 326	2 274	4 134	2 247	5 144	2 215	6 391	2 179	7 908	2 142	9 716	2 106
		38	3 019	2 705	3 740	2 667	4 643	2 627	5 765	2 588	7 141	2 552	8 797	2 522
		43	-	-	3 438	3 068	4 261	3 022	5 288	2 980	6 556	2 945	8 093	2 918
	max	27	24 188	11 613	29 125	12 317	34 678	13 092	40 870	13 947	47 719	14 888	55 245	15 927
		32	22 200	12 810	26 685	13 512	31 813	14 289	37 616	15 150	44 122	16 103	51 362	17 160
		38	19 966	14 406	23 976	15 103	28 646	15 879	34 024	16 744	40 153	17 709	47 080	18 787
		43	-	-	21 907	16 569	26 244	17 341	31 307	18 208	37 152	19 181	43 845	20 276
iCOOL 39D MHP	min	27	5 261	3 204	6 071	3 099	7 135	2 987	8 514	2 867	10 267	2 739	-	-
		32	5 214	3 567	6 202	3 497	7 422	3 420	8 931	3 336	10 786	3 244	13 040	3 145
		38	4 987	4 089	6 121	4 049	7 459	4 004	9 055	3 953	10 961	3 894	13 228	3 828
		43	4 657	4 595	5 860	4 572	7 241	4 545	8 854	4 511	10 747	4 471	12 972	4 423
	max	27	35 384	16 854	42 808	17 647	51 592	18 564	61 831	19 629	73 567	20 863	86 799	22 289
		32	32 999	18 439	39 823	19 270	47 919	20 227	57 408	21 334	68 362	22 614	80 804	24 091
		38	30 255	20 571	36 449	21 450	43 792	22 455	52 440	23 610	62 496	24 941	74 014	26 473
		43	28 065	22 547	33 811	23 469	40 592	24 513	48 588	25 707	57 931	27 078	68 702	28 654
iCOOL 43D MHP	min	27	5 261	3 204	6 071	3 099	7 135	2 987	8 514	2 867	10 267	2 739	-	-
		32	5 214	3 567	6 202	3 497	7 422	3 420	8 931	3 336	10 786	3 244	13 040	3 145
		38	4 987	4 089	6 121	4 049	7 459	4 004	9 055	3 953	10 961	3 894	13 228	3 828
		43	4 657	4 595	5 860	4 572	7 241	4 545	8 854	4 511	10 747	4 471	12 972	4 423
	max	27	37 648	18 430	45 476	19 336	54 706	20 387	65 432	21 607	77 687	23 025	91 464	24 665
		32	35 091	20 182	42 287	21 130	50 794	22 223	60 736	23 489	72 179	24 955	85 138	26 649
		38	32 147	22 537	38 683	23 537	46 404	24 680	55 467	25 997	65 976	27 517	77 981	29 271
		43	29 796	24 717	35 867	25 763	43 001	26 948	51 386	28 307	61 154	29 870	-	-

R448A		Capacity (subcooling: 3 K, superheat: 10 K)												
Model	Range	T _e , °C	-40		-35		-30		-25		-20		-15	
		T _a , °C	Q, W	Pe, W	Q, W	Pe, W	Q, W	Pe, W	Q, W	Pe, W	Q, W	Pe, W	Q, W	Pe, W
iCOOL 3 MP	min	27	429	370	507	395	605	421	724	447	863	474	1 023	501
		32	349	465	430	487	532	510	655	533	798	557	962	580
		38	299	533	382	553	486	574	611	596	757	617	923	639
		43	282	565	365	585	470	606	595	627	740	648	906	670
	max	27	2 340	2 090	2 853	2 338	3 470	2 600	4 181	2 875	4 975	3 161	5 835	3 457
		32	2 241	2 427	2 777	2 641	3 404	2 872	4 111	3 120	4 886	3 385	5 712	3 670
		38	2 174	2 689	2 723	2 885	3 346	3 102	4 030	3 343	4 763	3 609	5 526	3 905
		43	2 101	2 834	2 650	3 032	3 257	3 256	3 908	3 509	4 589	3 795	-	-

R448A		Capacity (subcooling: 3 K, superheat: 10 K)												
Model	Range	T _e , °C	-33		-30		-25		-20		-15		-10	
		T _a , °C	Q, W	Pe, W	Q, W	Pe, W	Q, W	Pe, W	Q, W	Pe, W	Q, W	Pe, W	Q, W	Pe, W
iCOOL 10 MP	min	27	2 080	2 979	2 414	3 069	3 111	3 180	4 031	3 207	5 224	3 117	6 747	2 875
		32	1 830	3 243	2 137	3 282	2 783	3 320	3 642	3 294	4 770	3 164	6 223	2 900
		38	1 557	3 686	1 832	3 663	2 416	3 614	3 206	3 521	4 257	3 347	5 626	3 056
		43	1 351	4 163	1 600	4 087	2 136	3 966	2 869	3 818	3 857	3 605	5 158	3 295
	max	27	7 790	7 889	8 844	8 244	10 971	8 880	13 528	9 562	16 464	10 282	19 721	11 030
		32	7 306	8 543	8 332	8 895	10 373	9 517	12 793	10 176	15 547	10 864	18 584	11 569
		38	6 749	9 432	7 746	9 772	9 685	10 364	11 942	10 983	14 483	11 619	17 263	12 262
		43	6 302	10 260	7 275	10 583	9 130	11 140	11 258	11 714	13 626	12 295	16 200	12 875
iCOOL 17D MP	min	27	2 082	2 976	2 418	3 068	3 117	3 179	4 038	3 206	5 235	3 117	6 761	2 875
		32	1 834	3 240	2 140	3 278	2 787	3 317	3 649	3 291	4 779	3 163	6 235	2 898
		38	1 560	3 680	1 835	3 658	2 421	3 609	3 212	3 516	4 266	3 342	5 637	3 051
		43	-	-	1 604	4 080	2 139	3 960	2 875	3 811	3 865	3 600	5 168	3 288
	max	27	13 244	12 694	14 946	13 227	18 321	14 171	22 368	15 182	27 076	16 261	32 421	17 404
		32	12 294	13 764	13 928	14 308	17 139	15 263	20 966	16 280	25 406	17 358	30 447	18 491
		38	11 204	15 213	12 759	15 763	15 780	16 723	19 352	17 736	23 480	18 800	28 167	19 912
		43	10 331	16 561	11 823	17 112	14 692	18 066	18 058	19 066	-	-	-	-

R449A		Capacity (subcooling: 3 K, superheat: 10 K)												
Model	Range	T _e , °C	-15		-10		-5		0		5		10	
		T _{air} , °C	Q, W	Pe, W	Q, W	Pe, W	Q, W	Pe, W	Q, W	Pe, W	Q, W	Pe, W	Q, W	Pe, W
iCOOL 4.5 MHP	min	27	651	358	783	376	932	397	1 097	420	1 279	447	-	-
		32	638	378	771	400	921	424	1 084	451	1 263	483	-	-
		38	628	405	759	429	904	458	1 063	489	1 233	526	-	-
		43	616	428	743	456	883	487	1 034	523	1 194	563	-	-
	max	27	4 065	2 234	4 693	2 299	5 698	2 454	6 829	2 638	8 080	2 864	-	-
		32	3 871	2 320	4 666	2 474	5 670	2 650	6 799	2 861	8 042	3 122	-	-
		38	3 790	2 510	4 652	2 687	5 645	2 891	6 754	3 136	7 968	3 434	-	-
		43	3 778	2 719	4 626	2 866	5 600	3 095	6 680	3 366	7 850	3 695	-	-
iCOOL 7 MHP	min	27	1 016	527	1 229	556	1 458	586	1 699	617	1 948	651	-	-
		32	960	621	1 176	648	1 414	677	1 665	707	1 927	741	-	-
		38	931	695	1 150	721	1 395	749	1 658	780	1 934	815	-	-
		43	923	726	1 146	762	1 396	791	1 668	824	1 957	862	-	-
	max	27	6 454	3 223	7 323	3 451	8 579	3 787	9 835	4 143	11 061	4 524	-	-
		32	6 030	3 451	7 216	3 754	8 453	4 082	9 690	4 440	10 895	4 839	-	-
		38	6 004	3 770	7 143	4 069	8 344	4 407	9 549	4 789	10 719	5 226	-	-
		43	5 971	3 949	7 076	4 325	8 237	4 686	9 409	5 104	10 544	5 591	-	-
iCOOL 10 MHP	min	27	2 408	2 625	3 008	2 573	3 750	2 526	4 663	2 486	5 772	2 454	7 094	2 432
		32	2 223	2 846	2 777	2 790	3 455	2 739	4 291	2 695	5 311	2 659	6 536	2 632
		38	2 004	3 137	2 513	3 077	3 125	3 022	3 876	2 973	4 797	2 932	5 912	2 901
		43	-	-	2 304	3 340	2 870	3 282	3 559	3 229	4 404	3 185	5 431	3 150
	max	27	8 811	5 168	10 656	5 366	12 850	5 564	15 429	5 778	18 416	6 028	21 823	6 337
		32	8 088	5 708	9 791	5 915	11 826	6 126	14 237	6 360	17 056	6 637	20 302	6 982
		38	7 268	6 428	8 827	6 648	10 691	6 878	12 916	7 139	15 545	7 451	18 606	7 843
		43	-	-	8 087	7 325	9 827	7 575	11 911	7 861	14 391	8 206	17 304	8 640
iCOOL 12 MHP	min	27	2 533	2 840	3 224	2 708	4 090	2 610	5 159	2 511	6 455	2 501	7 998	2 501
		32	2 353	2 979	2 971	2 878	3 748	2 800	4 714	2 708	5 894	2 686	7 312	2 686
		38	2 147	3 159	2 687	3 102	3 366	3 053	4 215	2 977	5 263	2 945	6 536	2 945
		43	-	-	2 467	3 304	3 070	3 284	3 828	3 229	4 771	3 192	5 926	3 192
	max	27	10 611	5 848	12 797	6 090	15 390	6 342	18 434	6 621	21 960	6 954	25 986	7 373
		32	9 831	6 465	11 868	6 722	14 297	6 992	17 171	7 297	20 533	7 667	24 413	8 134
		38	8 963	7 289	10 856	7 565	13 113	7 860	15 808	8 203	18 998	8 622	-	-
		43	-	-	10 288	8 191	12 463	8 510	15 069	8 882	18 178	9 339	-	-
iCOOL 15 MHP	min	27	3 655	2 163	4 546	2 152	5 649	2 133	6 995	2 111	8 609	2 088	10 507	2 067
		32	3 378	2 489	4 187	2 469	5 192	2 446	6 427	2 422	7 921	2 401	9 691	2 387
		38	3 064	2 946	3 787	2 914	4 687	2 884	5 800	2 858	7 157	2 839	8 783	2 831
		43	-	-	3 479	3 340	4 301	3 303	5 322	3 274	6 574	3 257	8 086	3 253
	max	27	13 328	6 048	16 199	6 368	19 327	6 700	22 701	7 044	26 317	7 401	30 171	7 771
		32	12 107	6 658	14 687	6 971	17 572	7 299	20 749	7 643	24 214	8 002	27 965	8 379
		38	10 761	7 474	13 019	7 774	15 635	8 094	18 596	8 435	21 900	8 797	25 548	9 181
		43	9 741	8 226	11 756	8 513	14 168	8 825	16 968	9 162	20 156	9 524	23 739	9 914
iCOOL 17D MHP	min	27	2 468	2 799	3 093	2 740	3 874	2 686	4 845	2 636	6 035	2 592	7 466	2 556
		32	2 282	3 013	2 858	2 950	3 570	2 892	4 456	2 837	5 548	2 789	6 870	2 748
		38	2 063	3 295	2 589	3 229	3 231	3 166	4 025	3 107	5 007	3 054	6 206	3 007
		43	1 884	3 552	2 378	3 484	2 968	3 417	3 695	3 355	4 593	3 298	5 697	3 248
	max	27	14 525	8 075	17 749	8 408	21 510	8 761	25 822	9 148	30 684	9 591	36 085	10 109
		32	13 240	8 940	16 255	9 288	19 788	9 660	23 860	10 076	28 482	10 554	33 652	11 117
		38	11 788	10 126	14 580	10 489	17 859	10 886	21 660	11 334	26 006	11 854	30 907	12 470
		43	10 656	11 244	13 285	11 621	16 372	12 037	19 961	12 511	24 085	13 065	28 768	13 726

R449A		Capacity (subcooling: 3 K, superheat: 10 K)												
Model	Range	T _e , °C	-15		-10		-5		0		5		10	
		T _{ar} , °C	Q, W	Pe, W	Q, W	Pe, W	Q, W	Pe, W	Q, W	Pe, W	Q, W	Pe, W	Q, W	Pe, W
iCOOL 21D MHP	min	27	2 468	2 799	3 093	2 740	3 874	2 686	4 845	2 636	6 035	2 592	7 466	2 556
		32	2 282	3 013	2 858	2 950	3 570	2 892	4 456	2 837	5 548	2 789	6 870	2 748
		38	2 063	3 295	2 589	3 229	3 231	3 166	4 025	3 107	5 007	3 054	6 206	3 007
		43	1 884	3 552	2 378	3 484	2 968	3 417	3 695	3 355	4 593	3 298	5 697	3 248
	max	27	16 765	9 927	20 459	10 416	24 721	10 952	29 544	11 556	34 912	12 250	40 803	13 060
		32	15 237	11 018	18 712	11 529	22 737	12 094	27 315	12 736	32 440	13 477	38 100	14 345
		38	13 509	12 523	16 747	13 058	20 507	13 656	24 804	14 340	29 646	15 135	35 031	16 069
	43	-	-	15 222	14 507	18 778	15 131	22 852	15 848	27 461	16 684	-	-	
iCOOL 26D MHP	min	27	3 708	2 028	4 626	2 009	5 770	1 981	7 174	1 946	8 867	1 906	10 870	1 864
		32	3 429	2 345	4 262	2 317	5 303	2 283	6 589	2 246	8 152	2 208	10 017	2 171
		38	3 112	2 788	3 856	2 749	4 786	2 708	5 943	2 668	7 361	2 631	9 069	2 600
		43	-	-	3 544	3 163	4 393	3 115	5 452	3 072	6 758	3 036	8 344	3 008
	max	27	21 812	10 136	26 674	10 673	32 070	11 251	37 957	11 870	44 301	12 533	51 070	13 238
		32	19 759	11 244	24 241	11 782	29 301	12 366	34 899	12 996	41 003	13 674	47 584	14 399
		38	17 475	12 772	21 531	13 300	26 213	13 881	31 484	14 516	37 319	15 206	43 698	15 951
	43	15 728	14 222	19 455	14 732	23 843	15 303	28 862	15 935	34 489	16 629	40 718	17 386	
iCOOL 29D MHP	min	27	3 708	2 028	4 626	2 009	5 770	1 981	7 174	1 946	8 867	1 906	10 870	1 864
		32	3 429	2 345	4 262	2 317	5 303	2 283	6 589	2 246	8 152	2 208	10 017	2 171
		38	3 112	2 788	3 856	2 749	4 786	2 708	5 943	2 668	7 361	2 631	9 069	2 600
		43	-	-	3 544	3 163	4 393	3 115	5 452	3 072	6 758	3 036	8 344	3 008
	max	27	24 936	11 972	30 025	12 698	35 750	13 497	42 134	14 378	49 194	15 349	56 953	16 420
		32	22 887	13 206	27 511	13 930	32 797	14 731	38 779	15 618	45 486	16 601	52 950	17 691
		38	20 584	14 852	24 718	15 571	29 532	16 370	35 076	17 262	41 395	18 257	48 536	19 368
	43	-	-	22 584	17 081	27 056	17 878	32 275	18 771	38 301	19 774	45 201	20 904	
iCOOL 39D MHP	min	27	5 066	2 932	6 920	3 057	9 361	3 310	12 263	3 613	15 504	3 890	-	-
		32	5 012	3 428	6 486	3 471	8 440	3 604	10 769	3 753	13 369	3 848	16 147	3 819
		38	4 759	4 049	5 935	4 041	7 450	4 070	9 218	4 070	11 155	3 974	13 183	3 719
		43	4 396	4 588	5 453	4 576	6 724	4 555	8 134	4 462	9 611	4 233	11 088	3 809
	max	27	35 264	16 875	42 673	17 668	51 440	18 586	61 663	19 651	73 384	20 886	86 604	22 314
		32	32 882	18 461	39 693	19 293	47 773	20 251	57 247	21 359	68 187	22 640	80 619	24 118
		38	30 143	20 596	36 325	21 476	43 654	22 481	52 288	23 638	62 333	24 970	73 843	26 505
	43	27 957	22 576	33 692	23 498	40 460	24 543	48 445	25 738	57 779	27 111	68 544	28 689	
iCOOL 43D MHP	min	27	5 066	2 932	6 920	3 057	9 361	3 310	12 263	3 613	15 504	3 890	-	-
		32	5 012	3 428	6 486	3 471	8 440	3 604	10 769	3 753	13 369	3 848	16 147	3 819
		38	4 759	4 049	5 935	4 041	7 450	4 070	9 218	4 070	11 155	3 974	13 183	3 719
		43	4 396	4 588	5 453	4 576	6 724	4 555	8 134	4 462	9 611	4 233	11 088	3 809
	max	27	37 524	18 450	45 337	19 357	54 553	20 407	65 263	21 629	77 506	23 047	91 274	24 689
		32	34 971	20 204	42 153	21 152	50 647	22 246	60 576	23 513	72 007	24 980	84 959	26 676
		38	32 032	22 562	38 556	23 562	46 263	24 706	55 315	26 024	65 815	27 547	77 815	29 303
	43	29 685	24 745	35 744	25 792	42 868	26 978	51 243	28 338	61 004	29 903	-	-	

R449A		Capacity (subcooling: 3 K, superheat: 10 K)												
Model	Range	T _e , °C	-40		-35		-30		-25		-20		-15	
		T _a , °C	Q, W	Pe, W	Q, W	Pe, W	Q, W	Pe, W	Q, W	Pe, W	Q, W	Pe, W	Q, W	Pe, W
iCOOL 3 MP	min	27	437	378	517	403	617	429	738	456	881	483	1 044	511
		32	356	474	439	497	543	520	668	544	814	568	981	592
		38	305	543	390	565	496	586	623	608	772	629	942	651
		43	287	576	373	597	479	618	606	640	755	661	924	683
	max	27	2 387	2 132	2 911	2 385	3 540	2 652	4 265	2 933	5 074	3 224	5 952	3 526
		32	2 286	2 476	2 833	2 694	3 472	2 930	4 194	3 182	4 984	3 452	5 826	3 743
		38	2 217	2 743	2 778	2 943	3 413	3 165	4 111	3 410	4 858	3 682	5 637	3 984
		43	2 143	2 890	2 703	3 092	3 322	3 321	3 986	3 579	4 681	3 871	-	-

R449A		Capacity (subcooling: 3 K, superheat: 10 K)												
Model	Range	T _e , °C	-33		-30		-25		-20		-15		-10	
		T _a , °C	Q, W	Pe, W	Q, W	Pe, W	Q, W	Pe, W	Q, W	Pe, W	Q, W	Pe, W	Q, W	Pe, W
iCOOL 10 MP	min	27	2 123	3 042	2 465	3 134	3 177	3 247	4 115	3 215	5 345	3 183	6 889	2 935
		32	1 869	3 312	2 182	3 352	2 841	3 391	3 719	3 311	4 880	3 231	6 353	2 961
		38	1 590	3 763	1 870	3 740	2 467	3 690	3 273	3 554	4 355	3 417	5 745	3 121
		43	1 380	4 250	1 634	4 173	2 180	4 050	2 929	3 938	3 946	3 681	5 267	3 364
	max	27	7 954	8 055	9 030	8 418	11 202	9 067	13 813	9 763	16 811	10 498	20 136	11 262
		32	7 459	8 723	8 508	9 082	10 591	9 717	13 062	10 391	15 874	11 093	18 975	11 813
		38	6 891	9 630	7 909	9 977	9 889	10 582	12 194	11 214	14 788	11 863	17 627	12 520
		43	6 435	10 476	7 428	10 806	9 323	11 374	11 495	11 960	13 913	12 554	16 541	13 146
iCOOL 17D MP	min	27	2 126	3 039	2 469	3 132	3 183	3 246	4 123	3 274	5 345	3 183	6 903	2 935
		32	1 872	3 308	2 185	3 347	2 846	3 387	3 726	3 360	4 880	3 229	6 366	2 959
		38	1 593	3 758	1 874	3 735	2 472	3 685	3 280	3 590	4 355	3 412	5 756	3 116
		43	-	-	1 637	4 166	2 184	4 043	2 935	3 892	3 946	3 675	5 277	3 357
	max	27	13 523	12 961	15 261	13 506	18 707	14 469	22 839	15 502	27 646	16 604	33 103	17 770
		32	12 553	14 054	14 221	14 609	17 499	15 585	21 408	16 623	25 941	17 723	31 088	18 880
		38	11 440	15 533	13 028	16 095	16 113	17 075	19 759	18 109	23 974	19 195	28 760	20 331
		43	10 549	16 909	12 072	17 472	15 002	18 447	18 438	19 467	-	-	-	-

R134a		Capacity (subcooling: 3 K, superheat: 10 K)													
Model	Range	T _e , °C	-15		-10		-5		0		5		10		
		T _s , °C	Q, W	Pe, W	Q, W	Pe, W	Q, W	Pe, W	Q, W	Pe, W	Q, W	Pe, W	Q, W	Pe, W	
iCOOL 4.5 MHP	min	27	-	-	500	321	595	343	695	366	806	388	932	409	
		32	-	-	480	399	570	423	665	450	769	478	890	504	
		38	-	-	456	450	539	480	627	515	726	551	840	587	
		43	-	-	436	470	514	508	597	550	691	596	800	643	
	max	27	-	-	3 563	1 287	4 213	1 344	4 890	1 416	5 632	1 491	6 478	1 554	
		32	-	-	3 371	1 450	3 978	1 498	4 619	1 562	5 330	1 627	6 151	1 680	
		38	-	-	3 116	1 589	3 680	1 639	4 282	1 703	4 963	1 768	5 758	1 822	
		43	-	-	2 898	1 695	3 428	1 753	4 003	1 825	4 661	1 898	5 438	1 961	
iCOOL 7 MHP	min	27	-	-	861	407	1 031	410	1 210	417	1 407	426	1 634	434	
		32	-	-	831	483	990	486	1 159	493	1 347	502	1 564	508	
		38	-	-	782	543	929	547	1 087	556	1 264	564	1 471	570	
		43	-	-	735	577	873	584	1 021	593	1 190	602	1 389	607	
	max	27	-	-	4 329	1 643	5 145	1 709	5 998	1 799	6 935	1 896	8 002	1 979	
		32	-	-	4 110	1 919	4 874	1 975	5 681	2 053	6 578	2 134	7 610	2 199	
		38	-	-	3 812	2 144	4 519	2 200	5 277	2 276	6 132	2 352	7 129	2 409	
		43	-	-	3 549	2 295	4 214	2 360	4 935	2 442	5 759	2 523	6 731	2 583	
iCOOL 10 MHP	min	27	1 758	2 662	2 216	2 649	2 793	2 628	3 524	2 600	4 440	2 566	5 574	2 526	
		32	1 636	2 810	2 066	2 791	2 607	2 767	3 296	2 738	4 163	2 706	5 240	2 672	
		38	-	-	1 895	2 978	2 397	2 950	3 037	2 921	3 847	2 892	4 859	2 863	
		43	-	-	-	-	2 231	3 116	2 834	3 087	3 598	3 061	4 558	3 037	
	max	27	5 295	2 950	6 508	3 062	7 985	3 159	9 782	3 249	11 942	3 340	14 502	3 439	
		32	5 006	3 219	6 157	3 336	7 551	3 442	9 246	3 543	11 290	3 649	13 721	3 767	
		38	4 663	3 589	5 747	3 715	7 049	3 832	8 629	3 949	10 539	4 073	12 817	4 216	
		43	4 381	3 937	5 415	4 072	6 646	4 201	8 137	4 331	9 938	4 473	12 094	4 637	
iCOOL 12 MHP	min	27	1 758	2 662	2 216	2 649	2 793	2 628	3 524	2 600	4 440	2 566	5 574	2 526	
		32	1 636	2 810	2 066	2 791	2 607	2 767	3 296	2 738	4 163	2 706	5 240	2 672	
		38	-	-	1 895	2 978	2 397	2 950	3 037	2 921	3 847	2 892	4 859	2 863	
		43	-	-	-	-	2 231	3 116	2 834	3 087	3 598	3 061	4 558	3 037	
	max	27	5 824	3 245	7 159	3 368	8 784	3 475	10 760	3 574	13 136	3 674	15 952	3 783	
		32	5 506	3 541	6 772	3 670	8 306	3 786	10 171	3 897	12 419	4 014	15 093	4 144	
		38	5 129	3 948	6 321	4 087	7 754	4 215	9 492	4 344	11 593	4 480	14 099	4 638	
		43	4 819	4 331	5 956	4 479	7 311	4 621	8 951	4 764	10 932	4 920	13 303	5 101	
iCOOL 15 MHP	min	27	2 275	2 248	2 710	2 327	3 228	2 390	3 845	2 441	4 574	2 485	5 428	2 526	
		32	2 094	2 445	2 510	2 523	3 006	2 590	3 598	2 649	4 302	2 704	5 130	2 761	
		38	1 894	2 726	2 286	2 803	2 755	2 873	3 318	2 940	3 990	3 009	4 786	3 085	
		43	-	-	2 114	3 075	2 560	3 147	3 098	3 220	3 743	3 300	4 511	3 391	
	max	27	9 099	3 597	10 841	3 723	12 914	3 824	15 380	3 906	18 296	3 976	21 711	4 041	
		32	8 375	3 912	10 039	4 037	12 024	4 144	14 394	4 238	17 208	4 326	20 519	4 418	
		38	7 575	4 362	9 144	4 485	11 020	4 597	13 272	4 705	15 962	4 814	19 144	4 936	
		43	-	-	8 455	4 919	10 239	5 035	12 390	5 153	14 973	5 280	18 046	5 426	
iCOOL 17D MHP	min	27	1 877	3 086	2 368	3 070	2 990	3 045	3 780	3 011	4 775	2 968	6 009	2 916	
		32	1 747	3 239	2 209	3 217	2 792	3 188	3 535	3 153	4 475	3 112	5 647	3 066	
		38	1 598	3 438	2 027	3 409	2 568	3 377	3 258	3 341	4 136	3 303	5 235	3 262	
		43	-	-	-	-	2 391	3 548	3 041	3 512	3 868	3 477	4 910	3 441	
	max	27	9 635	4 798	11 658	4 978	14 090	5 131	17 018	5 269	20 512	5 402	24 633	5 547	
		32	9 011	5 229	10 932	5 414	13 239	5 579	16 017	5 734	19 342	5 891	23 275	6 067	
		38	8 300	5 829	10 106	6 022	12 267	6 201	14 870	6 378	17 995	6 566	21 704	6 780	
		43	-	-	9 456	6 601	11 499	6 794	13 961	6 990	16 921	7 204	20 446	7 450	

R134a		Capacity (subcooling: 3 K, superheat: 10 K)												
Model	Range	T _e , °C	-15		-10		-5		0		5		10	
		T _s , °C	Q, W	Pe, W	Q, W	Pe, W	Q, W	Pe, W	Q, W	Pe, W	Q, W	Pe, W	Q, W	Pe, W
iCOOL 21D MHP	min	27	1 877	3 086	2 368	3 070	2 990	3 045	3 780	3 011	4 775	2 968	6 009	2 916
		32	1 747	3 239	2 209	3 217	2 792	3 188	3 535	3 153	4 475	3 112	5 647	3 066
		38	1 598	3 438	2 027	3 409	2 568	3 377	3 258	3 341	4 136	3 303	5 235	3 262
		43	-	-	-	-	2 391	3 548	3 041	3 512	3 868	3 477	4 910	3 441
	max	27	11 692	5 670	14 061	5 901	16 892	6 107	19 072	6 304	24 293	6 507	28 997	6 737
		32	10 909	6 190	13 163	6 428	15 853	6 650	17 690	6 870	22 899	7 106	27 395	7 378
		38	-	-	12 144	7 164	14 668	7 405	16 593	7 654	21 292	7 928	25 540	8 250
		43	-	-	11 344	7 866	13 733	8 123	19 072	8 396	20 009	8 704	24 049	9 068
iCOOL 26D MHP	min	27	2 935	1 091	3 504	1 125	4 184	1 150	4 997	1 166	5 961	1 176	7 094	1 180
		32	2 699	1 184	3 242	1 218	3 893	1 244	4 673	1 263	5 603	1 277	6 700	1 288
		38	2 439	1 319	2 951	1 351	3 565	1 378	4 306	1 400	5 193	1 420	6 247	1 439
		43	2 242	1 450	2 727	1 481	3 311	1 508	4 018	1 533	4 869	1 558	5 887	1 583
	max	27	15 597	5 991	18 537	6 222	22 025	6 413	26 168	6 577	31 058	6 727	36 775	6 881
		32	14 379	6 547	17 186	6 777	20 523	6 979	24 497	7 165	29 205	7 350	34 731	7 550
		38	13 036	7 339	15 678	7 566	18 828	7 780	22 595	7 990	27 080	8 214	32 370	8 468
		43	12 016	8 107	14 517	8 330	17 507	8 551	21 098	8 781	25 391	9 035	30 480	9 332
iCOOL 29D MHP	min	27	2 935	1 091	3 504	1 125	4 184	1 150	4 997	1 166	5 961	1 176	7 094	1 180
		32	2 699	1 184	3 242	1 218	3 893	1 244	4 673	1 263	5 603	1 277	6 700	1 288
		38	2 439	1 319	2 951	1 351	3 565	1 378	4 306	1 400	5 193	1 420	6 247	1 439
		43	2 242	1 450	2 727	1 481	3 311	1 508	4 018	1 533	4 869	1 558	5 887	1 583
	max	27	17 749	6 996	21 067	7 281	24 995	7 527	29 646	7 750	35 124	7 970	41 512	8 209
		32	16 372	7 659	19 540	7 945	23 297	8 206	27 760	8 458	33 032	8 719	39 204	9 014
		38	14 852	8 602	17 835	8 887	21 381	9 162	25 610	9 444	30 630	9 754	36 535	10 115
		43	-	-	16 522	9 795	19 887	10 081	23 915	10 386	28 719	10 733	34 395	11 147
iCOOL 39D MHP	min	27	3 018	2 135	3 783	2 113	4 724	2 092	5 898	2 072	7 356	2 054	-	-
		32	2 762	2 220	3 458	2 198	4 312	2 177	5 380	2 157	6 716	2 139	8 372	2 123
		38	2 469	2 396	3 092	2 372	3 850	2 350	4 801	2 329	5 999	2 311	7 497	2 295
		43	2 238	2 605	2 807	2 579	3 494	2 554	4 354	2 532	5 444	2 512	6 818	2 495
	max	27	20 909	7 885	25 626	8 185	31 112	8 491	37 453	8 812	44 723	9 156	52 978	9 535
		32	19 566	8 456	23 913	8 774	29 014	9 103	34 962	9 452	41 835	9 830	49 698	10 249
		38	18 023	9 259	21 960	9 601	26 629	9 959	32 129	10 343	38 549	10 764	45 959	11 233
		43	16 794	10 030	20 418	10 393	24 752	10 777	29 902	11 192	35 962	11 649	43 011	12 162
iCOOL 43D MHP	min	27	3 018	2 135	3 783	2 113	4 724	2 092	5 898	2 072	7 356	2 054	-	-
		32	2 762	2 220	3 458	2 198	4 312	2 177	5 380	2 157	6 716	2 139	8 372	2 123
		38	2 469	2 396	3 092	2 372	3 850	2 350	4 801	2 329	5 999	2 311	7 497	2 295
		43	2 238	2 605	2 807	2 579	3 494	2 554	4 354	2 532	5 444	2 512	6 818	2 495
	max	27	22 126	8 606	27 140	8 949	32 966	9 300	39 682	9 669	47 356	10 065	56 039	10 503
		32	20 709	9 239	25 325	9 603	30 741	9 981	37 042	10 383	44 303	10 819	52 581	11 303
		38	19 079	10 130	23 253	10 522	28 207	10 933	34 037	11 375	40 823	11 860	48 633	12 402
		43	17 780	10 985	21 616	11 401	26 212	11 842	31 670	12 319	38 080	12 846	45 517	13 437

R513A		Capacity (subcooling: 3 K, superheat: 10 K)													
Model	Range	T _e , °C	-15		-10		-5		0		5		10		
		T _a , °C	Q, W	Pe, W	Q, W	Pe, W	Q, W	Pe, W	Q, W	Pe, W	Q, W	Pe, W	Q, W	Pe, W	
iCOOL 4.5 MHP	min	27	-	-	600	385	714	412	834	439	967	466	1 118	491	
		32	-	-	576	479	684	508	798	540	923	574	1 068	605	
		38	-	-	547	540	647	576	752	618	871	661	1 008	704	
		43	-	-	523	564	617	610	716	660	829	715	960	772	
	max	27	-	-	4 276	1 544	5 056	1 613	5 868	1 700	6 759	1 789	7 773	1 865	
		32	-	-	4 045	1 739	4 774	1 798	5 543	1 874	6 397	1 952	7 381	2 016	
		38	-	-	3 740	1 907	4 416	1 967	5 139	2 044	5 955	2 122	6 909	2 186	
		43	-	-	3 478	2 033	4 114	2 104	4 804	2 190	5 593	2 277	6 526	2 353	
iCOOL 7 MHP	min	27	-	-	1 033	488	1 237	492	1 452	500	1 688	511	1 961	521	
		32	-	-	997	580	1 188	583	1 391	592	1 616	602	1 877	610	
		38	-	-	938	652	1 115	656	1 304	667	1 517	677	1 765	684	
		43	-	-	882	692	1 048	701	1 225	712	1 428	722	1 667	728	
	max	27	-	-	5 194	1 971	6 174	2 051	7 198	2 159	8 322	2 275	9 602	2 374	
		32	-	-	4 932	2 303	5 848	2 370	6 817	2 464	7 893	2 561	9 132	2 639	
		38	-	-	4 574	2 572	5 423	2 641	6 332	2 731	7 358	2 822	8 555	2 890	
		43	-	-	4 259	2 754	5 057	2 832	5 922	2 931	6 911	3 027	8 077	3 100	
iCOOL 10 MHP	min	27	2 031	1 052	2 518	1 062	3 107	1 062	3 828	1 054	4 708	1 038	5 772	1 016	
		32	1 864	1 132	2 314	1 139	2 858	1 137	3 526	1 129	4 348	1 113	5 348	1 093	
		38	1 672	1 269	2 082	1 271	2 576	1 267	3 185	1 256	3 940	1 241	4 867	1 222	
		43	1 519	1 417	1 900	1 416	2 356	1 408	2 919	1 396	3 621	1 380	4 490	1 361	
	max	27	5 616	3 264	7 062	3 353	8 821	3 450	10 871	3 554	13 191	3 664	15 760	3 779	
		32	5 236	3 523	6 560	3 624	8 195	3 731	10 124	3 846	12 327	3 966	14 784	4 091	
		38	4 798	3 889	5 983	4 003	7 477	4 124	9 266	4 251	11 333	4 383	13 662	4 519	
		43	4 447	4 241	5 524	4 367	6 907	4 498	8 584	4 635	10 543	4 777	12 769	4 923	
iCOOL 12 MHP	min	27	2 381	1 387	3 143	1 393	4 039	1 394	5 084	1 390	6 293	1 381	7 676	1 368	
		32	2 260	1 493	2 942	1 500	3 755	1 502	4 718	1 499	5 845	1 492	7 149	1 482	
		38	2 119	1 663	2 711	1 669	3 432	1 672	4 301	1 670	5 335	1 665	6 548	1 658	
		43	2 005	1 839	2 528	1 846	3 177	1 848	3 973	1 847	4 933	1 844	6 074	1 839	
	max	27	6 178	3 590	7 768	3 688	9 703	3 795	11 958	3 909	14 510	4 030	17 336	4 157	
		32	5 760	3 875	7 216	3 986	9 015	4 104	11 136	4 231	13 560	4 363	16 262	4 500	
		38	5 278	4 278	6 581	4 403	8 225	4 536	10 193	4 676	12 466	4 821	15 028	4 971	
		43	4 892	4 665	6 076	4 804	7 598	4 948	9 442	5 099	11 597	5 255	14 046	5 415	
iCOOL 15 MHP	min	27	2 500	1 510	3 205	1 487	4 033	1 461	4 980	1 432	6 042	1 399	7 217	1 363	
		32	2 228	1 651	2 871	1 625	3 634	1 598	4 514	1 569	5 506	1 538	6 609	1 506	
		38	1 928	1 882	2 502	1 853	3 192	1 823	3 995	1 794	4 908	1 764	5 927	1 736	
		43	1 701	2 128	2 222	2 095	2 855	2 063	3 597	2 032	4 446	2 004	5 399	1 977	
	max	27	9 329	3 687	11 354	3 819	13 773	3 964	16 620	4 123	19 919	4 296	23 682	4 481	
		32	8 575	4 016	10 399	4 154	12 590	4 302	15 190	4 463	18 226	4 634	21 719	4 815	
		38	7 731	4 472	9 336	4 616	11 272	4 767	13 589	4 926	16 322	5 092	19 497	5 266	
		43	7 081	4 906	8 522	5 054	10 262	5 204	12 355	5 359	14 845	5 520	17 762	5 685	
iCOOL 17D MHP	min	27	2 064	1 280	2 565	1 288	3 175	1 287	3 925	1 277	4 847	1 257	5 966	1 230	
		32	1 894	1 355	2 357	1 360	2 919	1 356	3 614	1 343	4 472	1 324	5 523	1 297	
		38	1 700	1 485	2 121	1 485	2 631	1 477	3 263	1 463	4 050	1 442	5 021	1 415	
		43	-	-	1 936	1 624	2 406	1 612	2 990	1 595	3 721	1 572	4 629	1 545	
	max	27	9 123	5 121	11 536	5 224	14 478	5 224	17 914	5 508	21 807	5 685	26 119	5 879	
		32	8 552	5 520	10 743	5 645	13 464	5 645	16 685	5 966	20 373	6 158	24 495	6 367	
		38	7 890	6 091	9 830	6 240	12 300	6 240	15 274	6 603	18 726	6 814	22 627	7 039	
		43	7 357	6 644	9 103	6 814	11 375	6 814	14 153	7 212	17 416	7 437	21 141	7 675	

R513A		Capacity (subcooling: 3 K, superheat: 10 K)												
Model	Range	T_e , °C	-15		-10		-5		0		5		10	
		T_a , °C	Q, W	Pe, W	Q, W	Pe, W	Q, W	Pe, W	Q, W	Pe, W	Q, W	Pe, W	Q, W	Pe, W
iCOOL 21D MHP	min	27	2 064	1 280	2 565	1 288	3 175	1 287	3 925	1 277	4 847	1 257	5 966	1 230
		32	1 894	1 355	2 357	1 360	2 919	1 356	3 614	1 343	4 472	1 324	5 523	1 297
		38	1 700	1 485	2 121	1 485	2 631	1 477	3 263	1 463	4 050	1 442	5 021	1 415
		43	-	-	1 936	1 624	2 406	1 612	2 990	1 595	3 721	1 572	4 629	1 545
	max	27	10 765	6 104	13 550	6 243	16 941	6 425	20 889	6 649	25 348	6 910	30 274	7 203
		32	10 098	6 593	12 622	6 762	15 756	6 970	19 457	7 219	23 685	7 502	28 399	7 816
		38	9 323	7 294	11 551	7 495	14 392	7 735	17 810	8 011	21 770	8 320	26 239	8 659
		43	8 697	7 974	10 696	8 203	13 306	8 467	16 498	8 765	20 244	9 096	24 517	9 455
iCOOL 26D MHP	min	27	2 532	1 417	3 252	1 392	4 100	1 363	5 073	1 330	6 168	1 294	7 383	1 253
		32	2 257	1 553	2 913	1 525	3 694	1 494	4 596	1 461	5 618	1 425	6 756	1 386
		38	1 954	1 779	2 539	1 746	3 244	1 712	4 067	1 677	5 004	1 642	6 055	1 606
		43	1 724	2 019	2 255	1 982	2 901	1 946	3 661	1 910	4 532	1 874	5 513	1 840
	max	27	14 561	6 137	17 994	6 298	22 131	6 503	26 981	6 749	32 540	7 034	38 795	7 353
		32	13 518	6 681	16 606	6 864	20 377	7 086	24 848	7 344	30 023	7 637	35 896	7 959
		38	12 336	7 452	15 044	7 660	18 403	7 898	22 440	8 168	27 172	8 465	32 600	8 787
		43	11 411	8 196	13 831	8 422	16 869	8 673	20 565	8 948	24 941	9 247	30 011	9 565
iCOOL 29D MHP	min	27	2 532	1 417	3 252	1 392	4 100	1 363	5 073	1 330	6 168	1 294	7 383	1 253
		32	2 257	1 553	2 913	1 525	3 694	1 494	4 596	1 461	5 618	1 425	6 756	1 386
		38	1 954	1 779	2 539	1 746	3 244	1 712	4 067	1 677	5 004	1 642	6 055	1 606
		43	1 724	2 019	2 255	1 982	2 901	1 946	3 661	1 910	4 532	1 874	5 513	1 840
	max	27	16 849	6 951	20 801	7 285	25 436	7 630	30 759	7 993	36 767	8 376	43 448	8 783
		32	15 647	7 572	19 215	7 919	23 457	8 280	28 384	8 659	34 001	9 060	40 303	9 488
		38	14 285	8 435	17 425	8 799	21 220	9 176	25 695	9 573	30 860	9 993	36 720	10 442
		43	13 216	9 258	16 028	9 633	19 476	10 023	23 592	10 433	28 396	10 867	33 900	11 332
iCOOL 39D MHP	min	27	3 621	2 562	4 540	2 536	5 669	2 511	7 077	2 487	8 827	2 464	-	-
		32	3 314	2 664	4 149	2 637	5 174	2 612	6 455	2 589	8 059	2 567	10 047	2 548
		38	2 963	2 875	3 710	2 847	4 620	2 820	5 761	2 795	7 198	2 773	8 997	2 754
		43	2 686	3 126	3 369	3 095	4 192	3 065	5 225	3 038	6 533	3 014	8 182	2 994
	max	27	25 091	9 462	30 751	9 822	37 334	10 189	44 944	10 574	53 667	10 987	63 573	11 441
		32	23 479	10 147	28 695	10 528	34 817	10 923	41 955	11 342	50 202	11 796	59 638	12 299
		38	21 627	11 111	26 352	11 521	31 954	11 951	38 555	12 412	46 259	12 917	55 151	13 480
		43	20 153	12 037	24 502	12 472	29 702	12 932	35 882	13 430	43 154	13 979	51 613	14 594
iCOOL 43D MHP	min	27	3 621	2 562	4 540	2 536	5 669	2 511	7 077	2 487	8 827	2 464	-	-
		32	3 314	2 664	4 149	2 637	5 174	2 612	6 455	2 589	8 059	2 567	10 047	2 548
		38	2 963	2 875	3 710	2 847	4 620	2 820	5 761	2 795	7 198	2 773	8 997	2 754
		43	2 686	3 126	3 369	3 095	4 192	3 065	5 225	3 038	6 533	3 014	8 182	2 994
	max	27	26 551	10 327	32 568	10 739	39 559	11 161	47 619	11 603	56 827	12 079	67 247	12 603
		32	24 850	11 087	30 390	11 524	36 889	11 978	44 451	12 459	53 163	12 983	63 097	13 564
		38	22 895	12 156	27 904	12 626	33 849	13 120	40 845	13 650	48 988	14 232	58 360	14 882
		43	21 336	13 182	25 939	13 681	31 454	14 210	38 004	14 783	45 696	15 415	54 620	16 124

T_e – evaporating temperature, °C

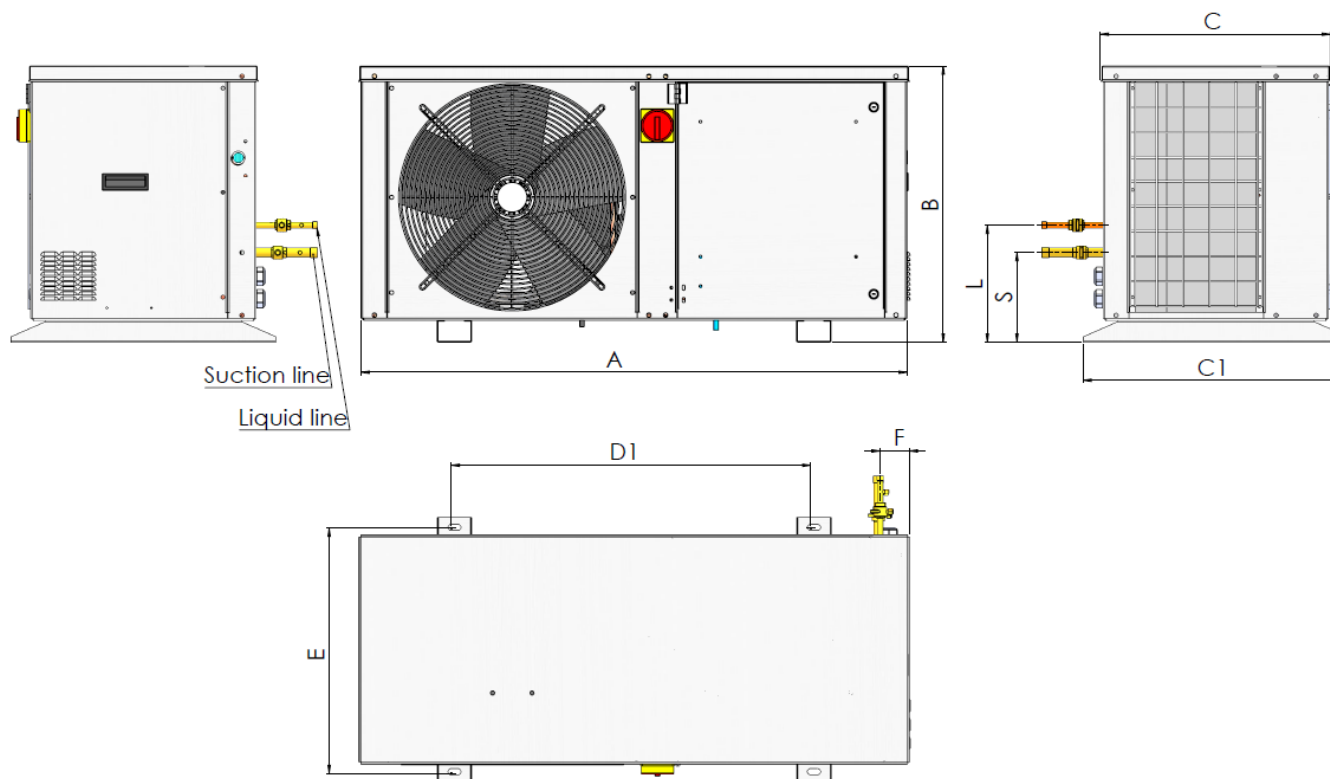
T_a – ambient temperature, °C

(*)

AREA COOLING SOLUTIONS Sp. z o.o. reserves the right to make changes in performance data inside this documentation without any prior notice and company do not bear any responsibility. All rights reserved

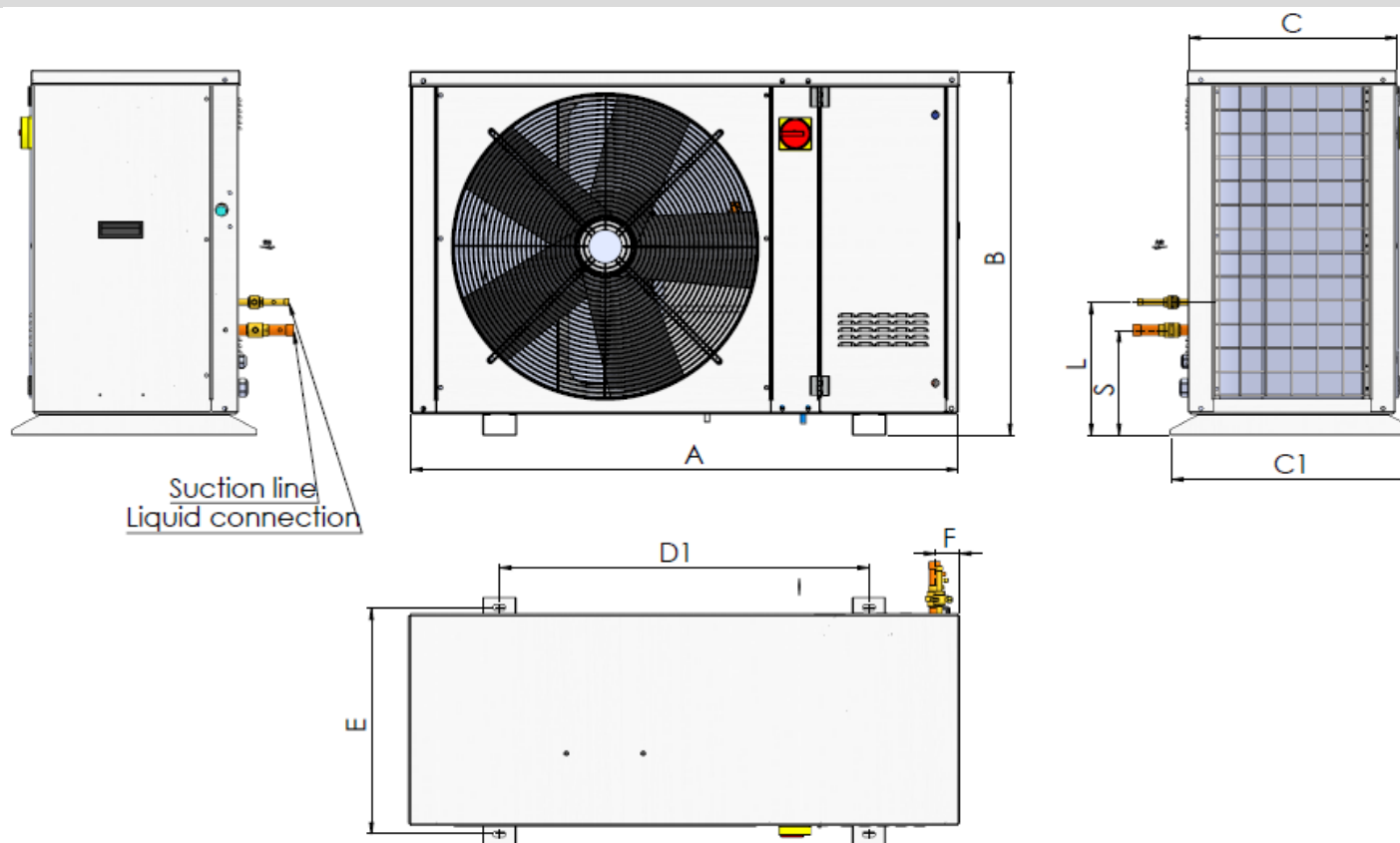
6. Units drawings

6.1. iCOOL 4.5 MHP | 3 MP



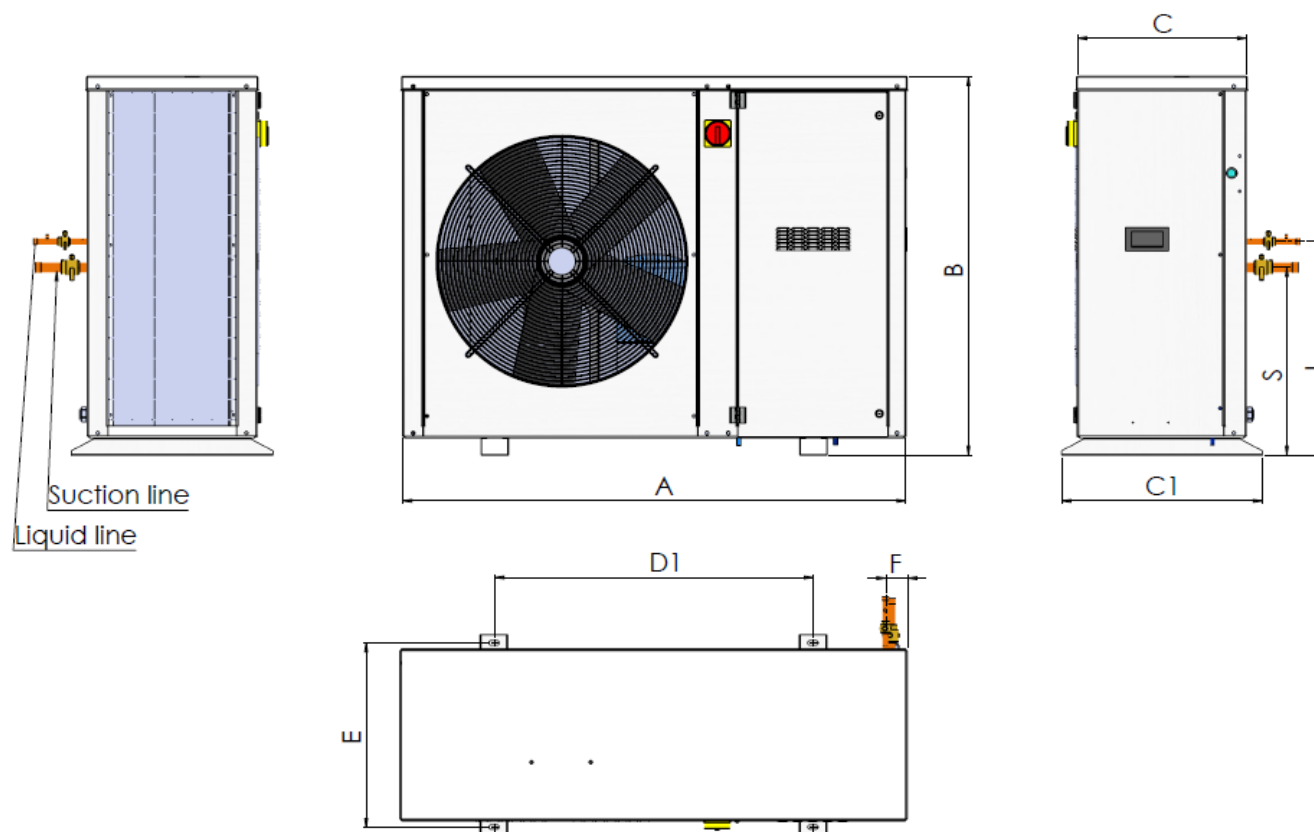
A	1106	mm	E	496	mm
B	560	mm	F	50	mm
C	466	mm	S	150	mm
C1	536	mm	L	240	mm
D1	728	mm			

6.2. iCOOL 7 MHP



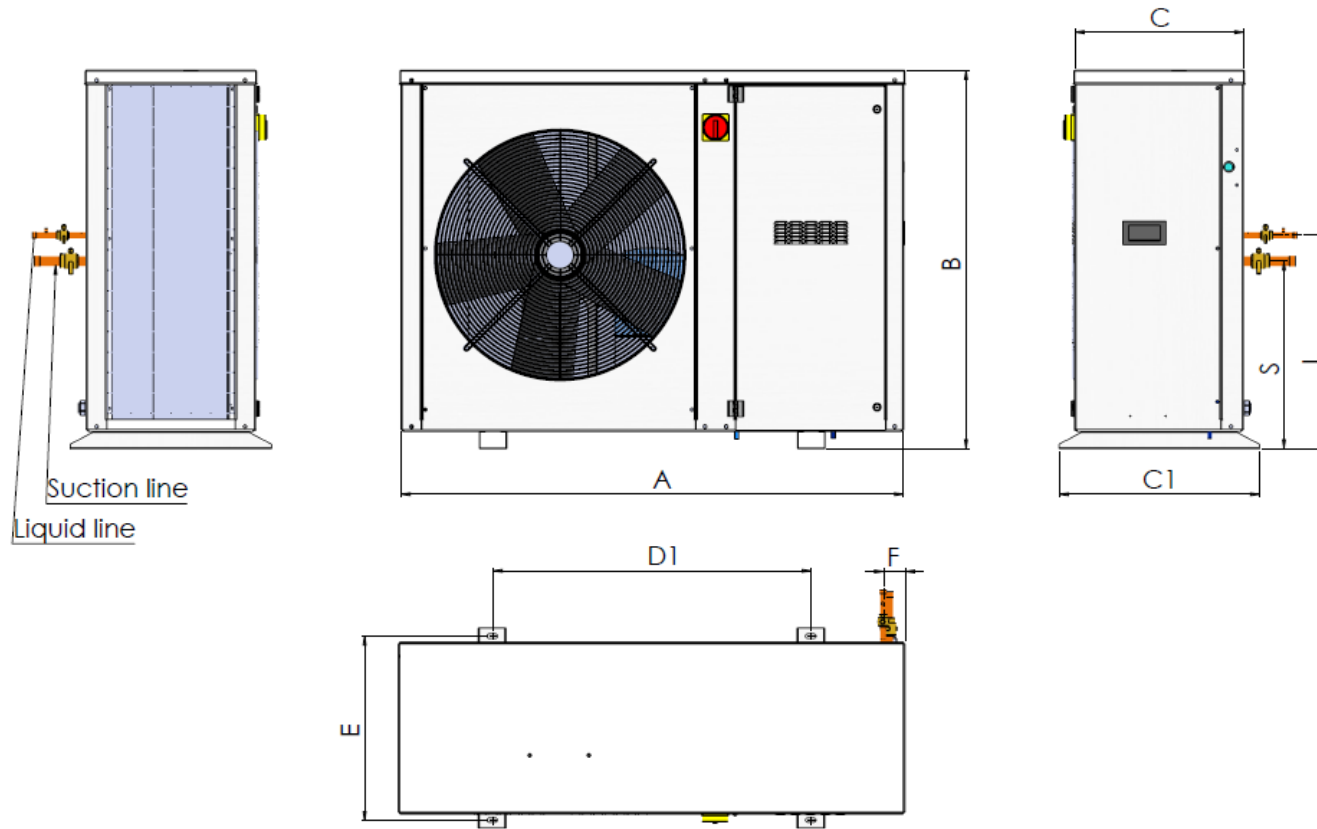
A	1140	mm	E	470	mm
B	760	mm	F	50	mm
C	430	mm	S	217	mm
C1	510	mm	L	277	mm
D1	770	mm			

6.3. iCOOL 10 MHP



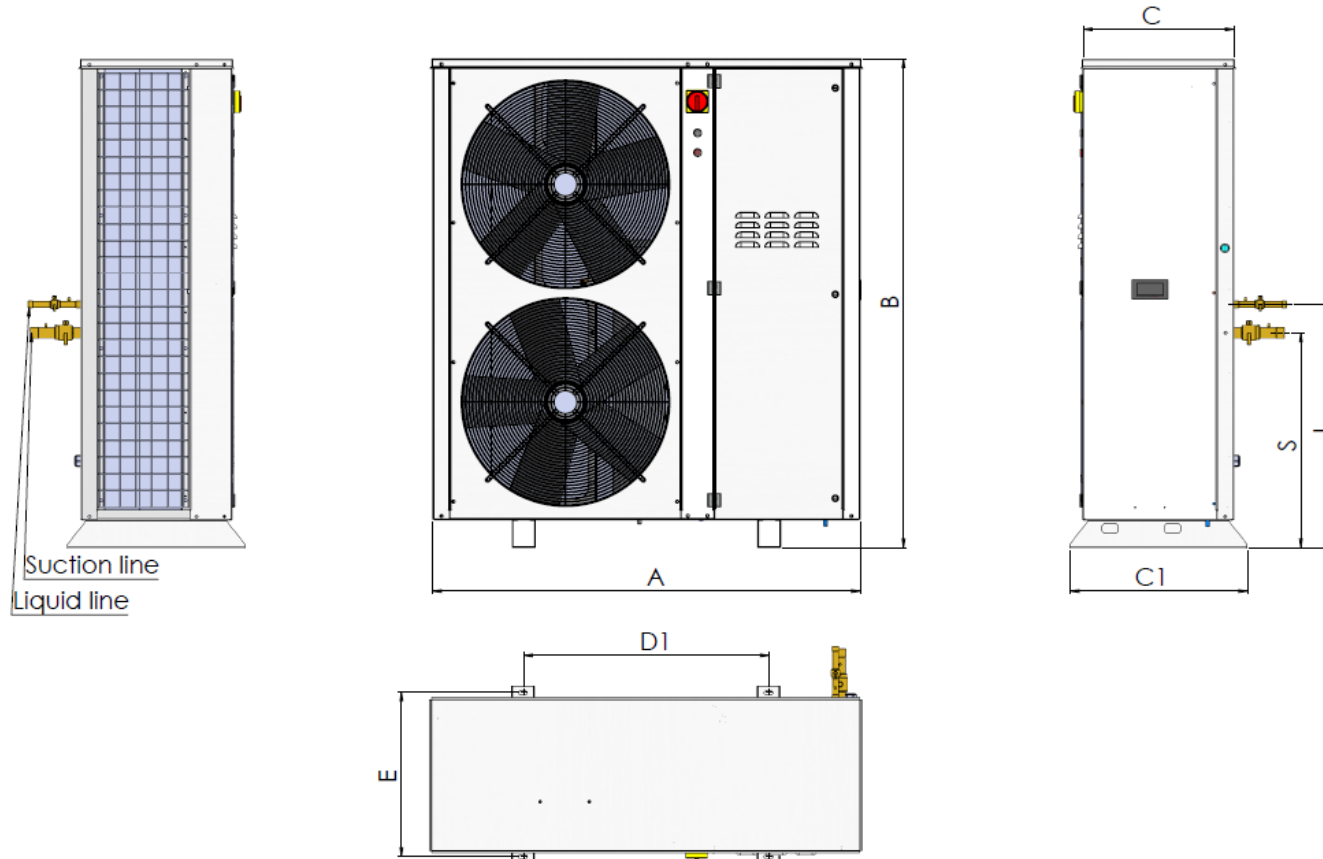
A	1289	mm	E	470	mm
B	963	mm	F	57	mm
C	439	mm	S	478	mm
C1	510	mm	L	539	mm
D1	810	mm			

6.4. iCOOL 12 MHP



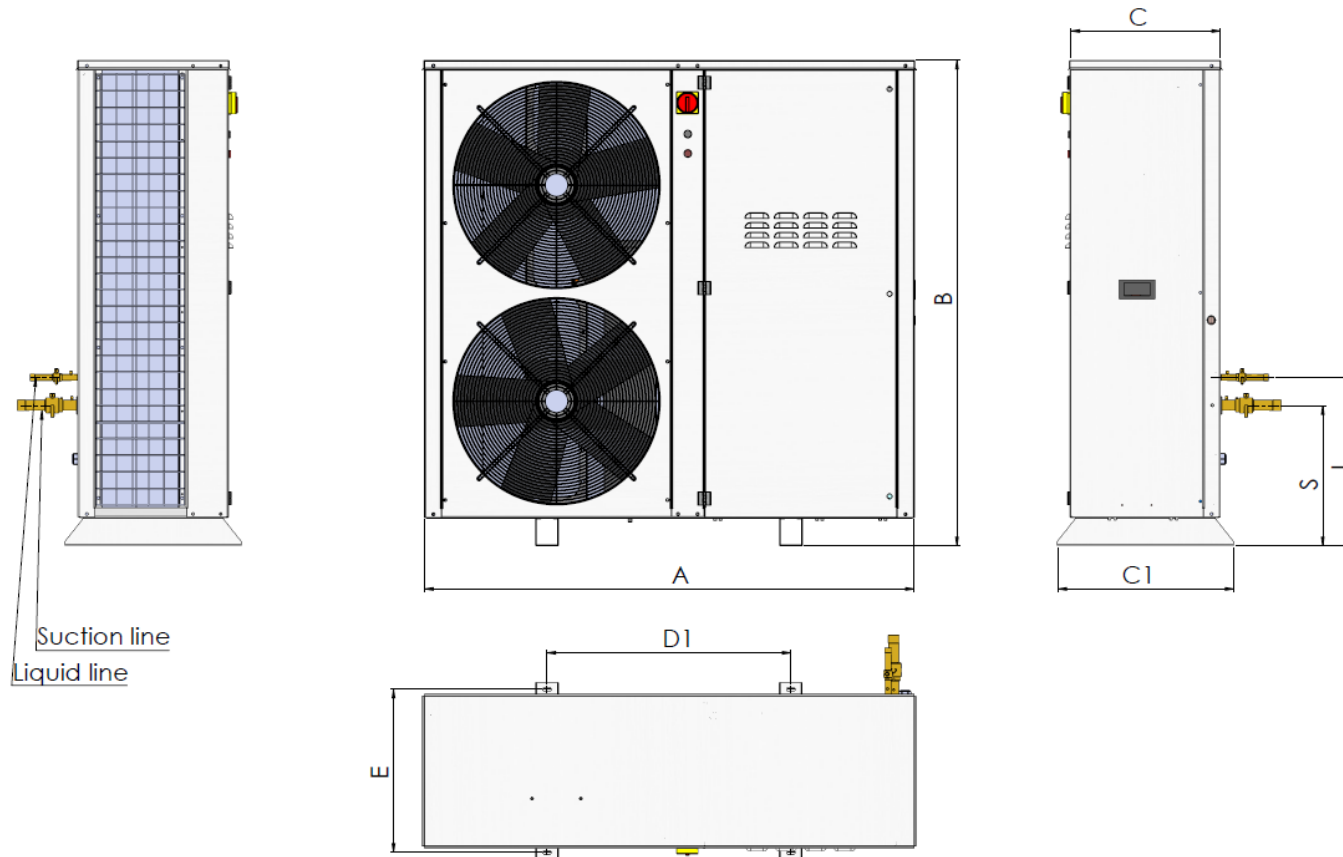
A	1420	mm	E	470	mm
B	963	mm	F	50	mm
C	434	mm	S	478	mm
C1	510	mm	L	545	mm
D1	950	mm			

6.5. iCOOL 10 MP | 15 MHP



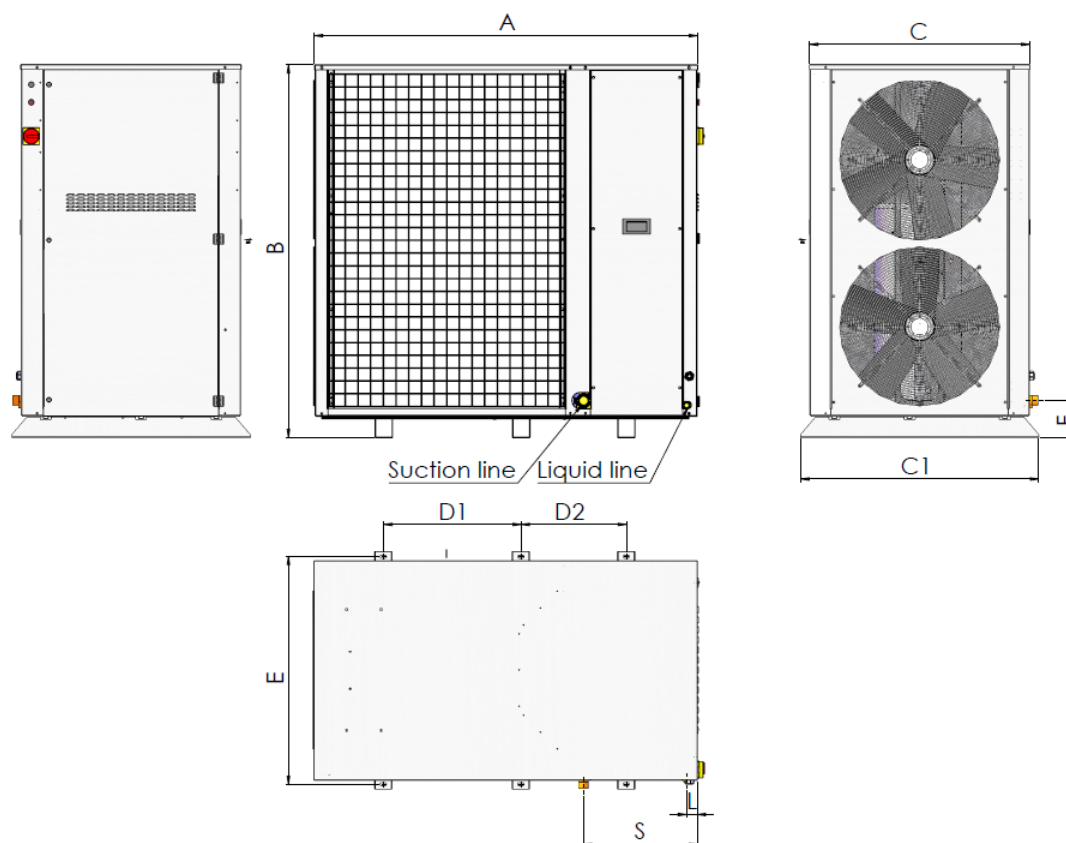
A	1322	mm	E	501	mm
B	1493	mm	F	78	mm
C	475	mm	S	658	mm
C1	541	mm	L	742	mm
D1	751	mm			

6.6. iCOOL 17D MHP | 21D MHP



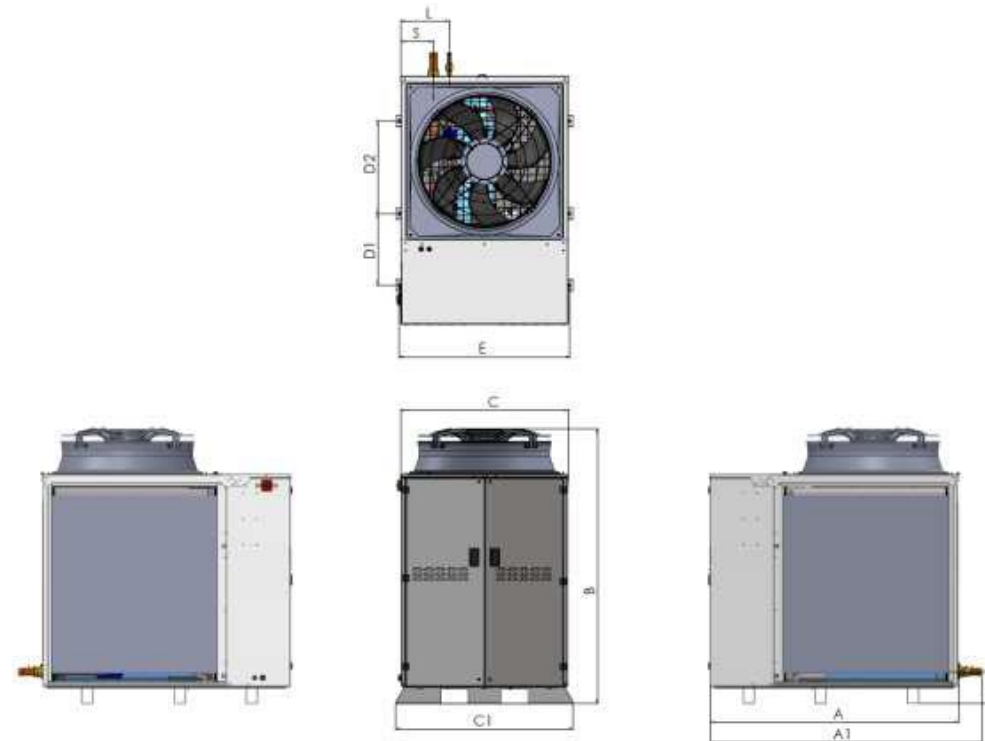
A	1521	mm	E	501	mm
B	1493	mm	F	69	mm
C	475	mm	S	519	mm
C1	541	mm	L	430	mm
D1	751	mm			

6.7. iCOOL 17D MP | 26D MHP | 29D MHP



A	1528	mm	E	910	mm
B	1488	mm	F	148	mm
C	879	mm	S	455	mm
C1	950	mm	L	44	mm
D1	549	mm	D2	420	mm

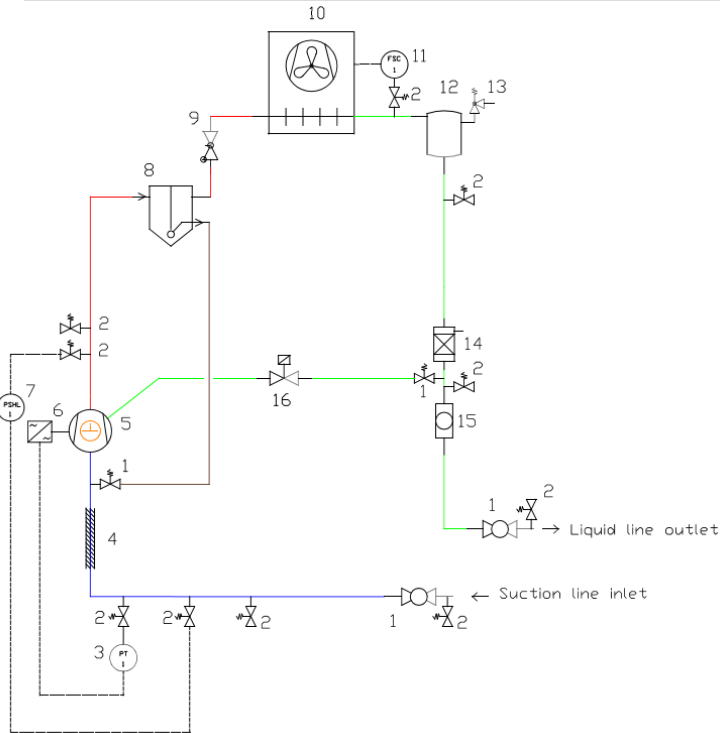
6.8. iCOOL 39D MHP | 43D MHP



A1	1670	mm	E	1050	mm
B	1695	mm	F	195	mm
C	1035	mm	L	300	mm
C1	1090	mm	S	200	mm
D1	440	mm			mm

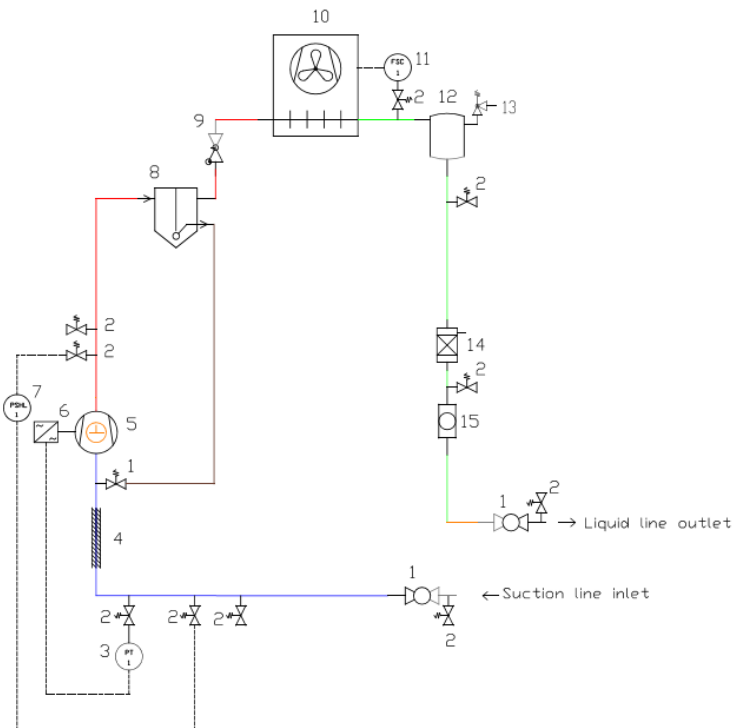
7. Schematic diagrams

7.1. iCOOL 3 MP



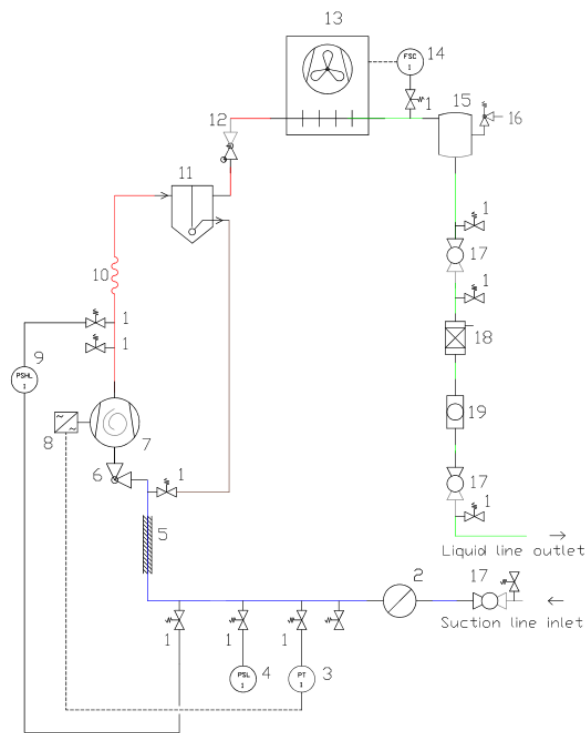
1	Ball valve
2	Schreader valve
3	LP pressure transducer
4	Insulation
5	Compressor
6	Inverter
7	LP/HP pressure switch
8	Oil separator
9	Check valve
10	Condenser with fan
11	Fan speed controller
12	Liquid receiver
13	Safety valve
14	Filter drier
15	Sight glass
16	Solenoid valve

7.2. iCOOL 4.5 MHP | 7 MHP



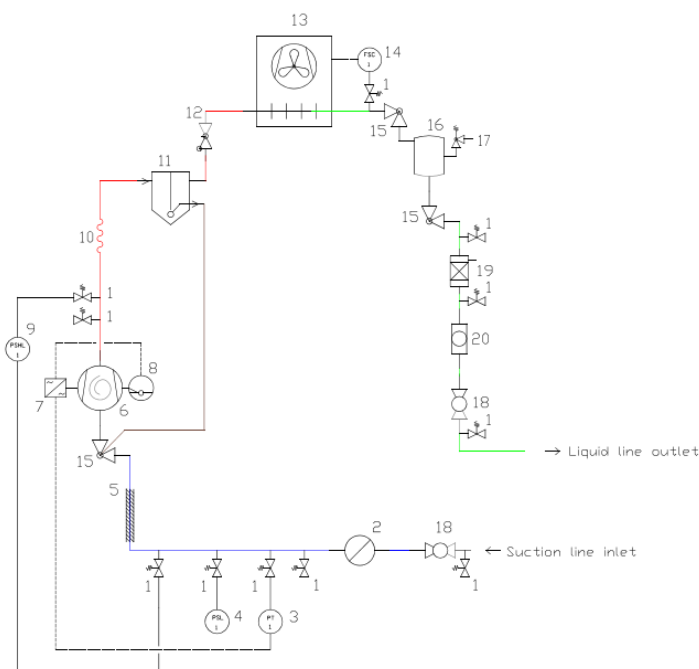
1	Ball valve
2	Schreader valve
3	LP pressure transducer
4	Insulation
5	Compressor
6	Inverter
7	LP/HP pressure switch
8	Oil separator
9	Check valve
10	Condenser with fan
11	Fan speed controller
12	Liquid receiver
13	Safety valve
14	Filter drier
15	Sight glass

7.3. iCOOL 10 MHP



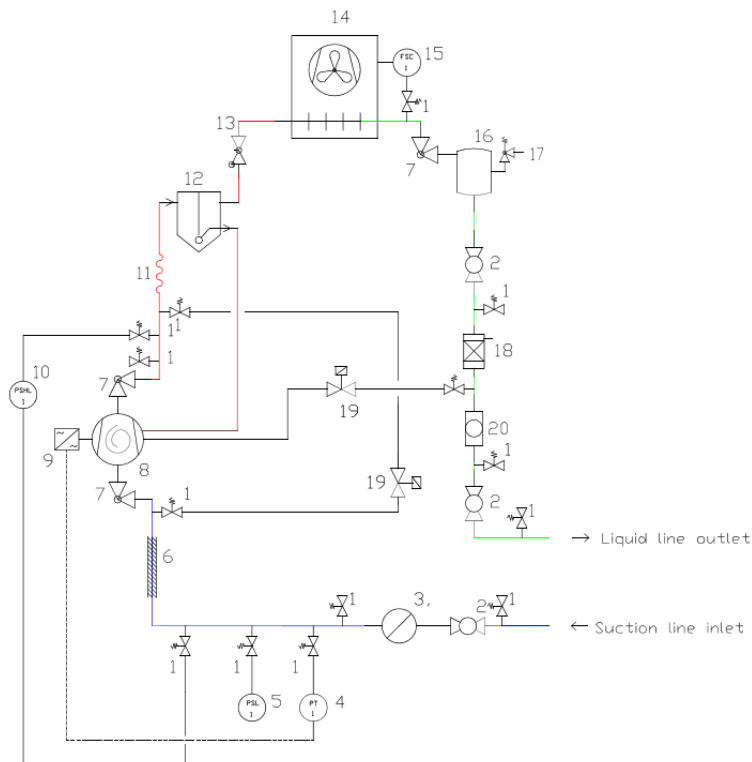
1	Schraeder valve
2	Suction separator
3	LP pressure transducer
4	Pressure switch LP
5	Suction insulation
6	Rotalock valve
7	Compressor
8	Inverter
9	Dual pressure switch LP/HP
10	Oil separator
11	Check valve
12	Condenser with fan
13	Fan speed controller
14	Liquid receiver
15	Safety valve
16	Ball valve
17	Filter drier
18	Sight glass

7.4. iCOOL 12 MHP



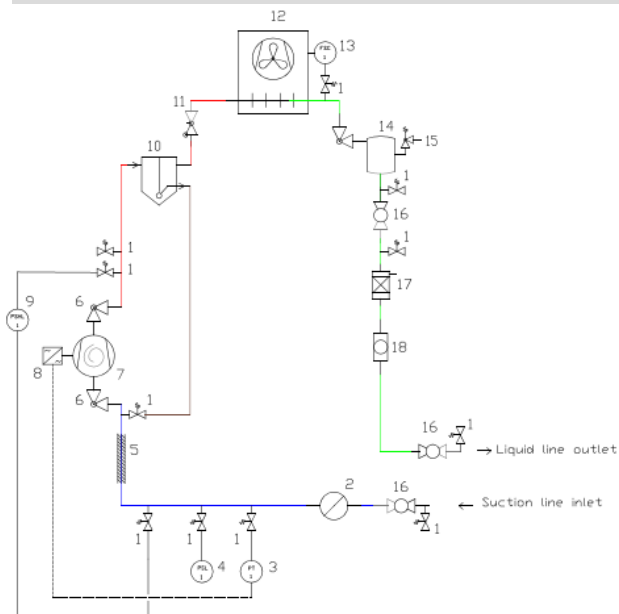
1	Schraeder valve
2	Suction separator
3	LP pressure transducer
4	Pressure switch LP
5	Suction insulation
6	Compressor
7	Inverter
8	Oil level sensor
9	Dual pressure switch LP/HP
10	Vibration absorber
11	Oil separator
12	Check valve
13	Condenser with fan
14	Fan speed controller
15	Rotalock valve
16	Liquid receiver
17	Safety valve
18	Ball valve
19	Filter drier
20	Sight glass

7.5. iCOOL 10 MP



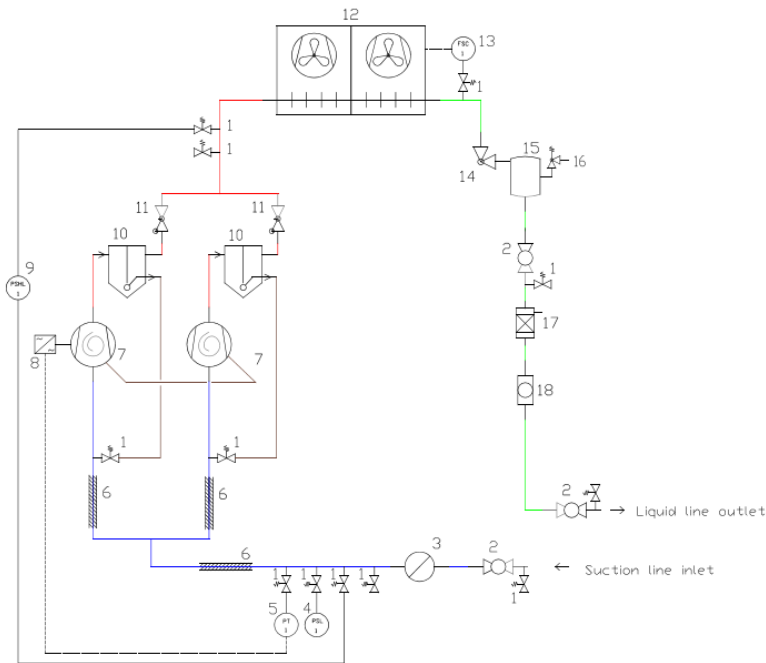
1	Schraeder valve
2	Ball valve
3	Suction separator
4	Suction pressure transducer
5	Pressure switch LP
6	Suction insulation
7	Rotalock valve
8	Compressor
9	Inverter
10	Dual pressure switch LP/HP
11	Vibration absorber
12	Oil separator
13	Check valve
14	Condenser with fan
15	Fan speed controller
16	Liquid receiver
17	Safety valve
18	Filter drier
19	Solenoid valve NC
20	Sight glass

7.6. iCOOL 15 MHP



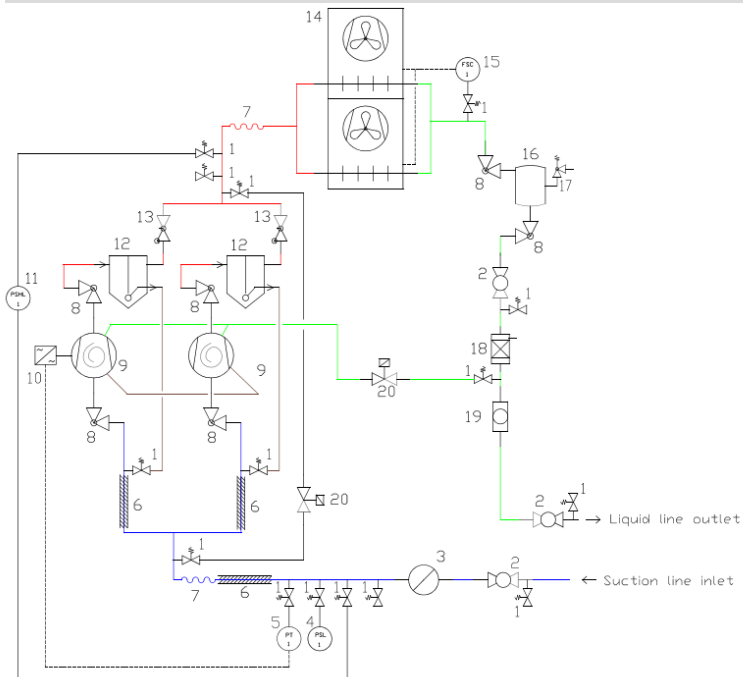
1	Schraeder valve
2	Suction separator
3	Suction pressure transducer
4	Pressure switch LP
5	Suction insulation
6	Suction insulation
7	Compressor
8	Inverter
9	Dual pressure switch LP/HP
10	Oil separator
11	Check valve
12	Condenser with fan
13	Fan speed controller
14	Liquid receiver
15	Safety valve
16	Ball valve
17	Filter drier
18	Sight glass

7.7. iCOOL 17D MHP | 21D MHP



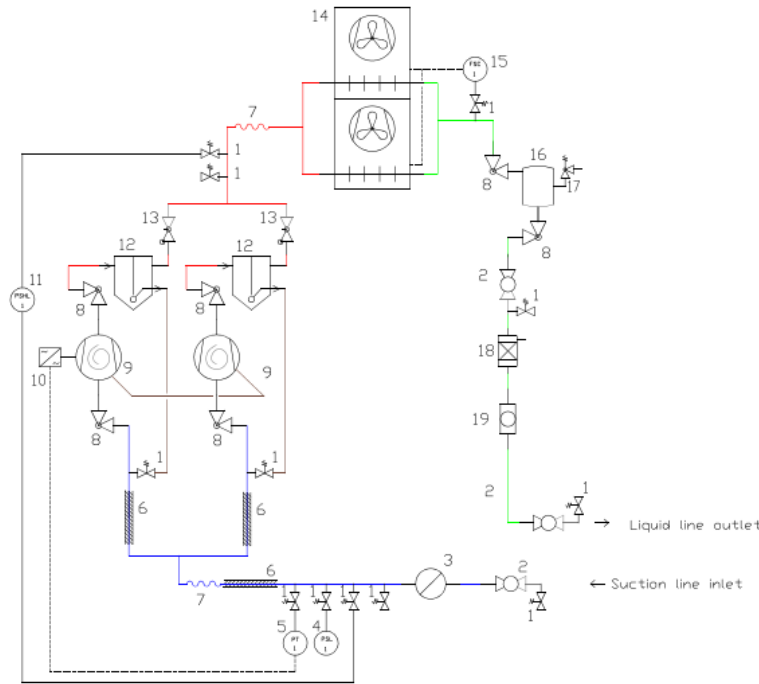
- | | |
|----|-----------------------------|
| 1 | Schraeder valve |
| 2 | Ball valve |
| 3 | Suction separator |
| 4 | Pressure switch LP |
| 5 | Suction pressure transducer |
| 6 | Suction insulation |
| 7 | Compressor |
| 8 | Inverter |
| 9 | Dual pressure switch LP/HP |
| 10 | Oil separator |
| 11 | Check valve |
| 12 | Condenser with fan |
| 13 | Fan speed controller |
| 14 | Rotalock valve |
| 15 | Liquid receiver |
| 16 | Safety valve |
| 17 | Filter drier |
| 18 | Sight glass |

7.8. iCOOL 17D MP



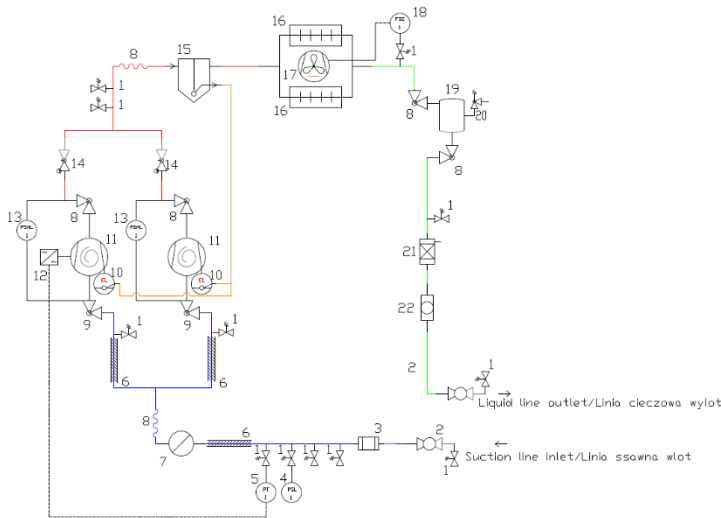
- | | |
|----|-----------------------------|
| 1 | Schraeder valve |
| 2 | Ball valve |
| 3 | Suction separator |
| 4 | Pressure switch LP |
| 5 | Suction pressure transducer |
| 6 | Suction insulation |
| 7 | Vibration absorber |
| 8 | Rotalock valve |
| 9 | Compressor |
| 10 | Inverter |
| 11 | Dual pressure switch LP/HP |
| 12 | Oil separator |
| 13 | Check valve |
| 14 | Condenser with fan |
| 15 | Fan speed controller |
| 16 | Liquid receiver |
| 17 | Safety valve |
| 18 | Filter drier |
| 19 | Sight glass |
| 20 | Solenoid valve |

7.9. iCOOL 26D MHP | 29D MHP



1	Schraeder valve
2	Ball valve
3	Suction separator
4	Pressure switch LP
5	Suction pressure transducer
6	Suction insulation
7	Vibration absorber
8	Rotalock valve
9	Compressor
10	Inverter
11	Dual pressure switch LP/HP
12	Oil separator
13	Check valve
14	Condenser with fan
15	Fan speed controller
16	Liquid receiver
17	Safety valve
18	Filter drier
19	Sight glass

7.10. iCOOL 39 MHP | 43D MHP



1	Schraeder valve
2	Ball valve
3	Suction filter
4	Pressure switch LP
5	Suction pressure transmitter
6	Suction insulation
7	Suction separator
8	Vibration absorber
9	Rotalock valve
10	Oil level regulator
11	Compressor
12	Inverter
13	Dual pressure switch LP/HP
14	Check valve
15	Oil separator
16	Condenser
17	Fan
18	Fan speed regulator
19	Liquid receiver
20	Safety valve
21	Filter drier
22	Sightglass

AREA COOLING SOLUTIONS Sp. z o.o. reserves the right to make changes to its products and to data inside this documentation without any prior notice. All rights reserved

area Cooling Solutions

Adress:

ul. Relaksowa 27

55-080 Nowa Wieś Wroclawska

Poland

Tel: +48 71 354 56 24

Fax: +48 71 354 56 22

area@area.pl

export@area.pl


 www.area.pl


 www.areacooling.fr

 www.area.es

 www.areacooling.ru

 www.areacooling.co.uk

 www.areacooling.de

 www.areacooling.dk