

CD5

77 x 35 x 90 mm



Indestructible, Totally Adaptable, Incredibly User-Friendly Controller

Main Features

- Up to four powerful outputs, all configurable for a perfect adaptation to the specific requirements, such as: direct control of a highly rated compressor, LED light control, ECM ON/OFF fan control, regulation of heaters for heating/catering equipment, control of switched loads, defrost, alarms.
- Suitable for R290 natural refrigerant gas.
- Immediate configuration of the specific control mode (HT, LT, heating etc.).
- Excellent measurement accuracy $\pm 0.1^\circ\text{C}$.
- Universal power supply.
- TTL or RS485 serial port; IoT connectivity option via an external LAE Gateway.
- Selectable ASCII/RTU communication protocol.
- Several display colour options: blue, white, red.

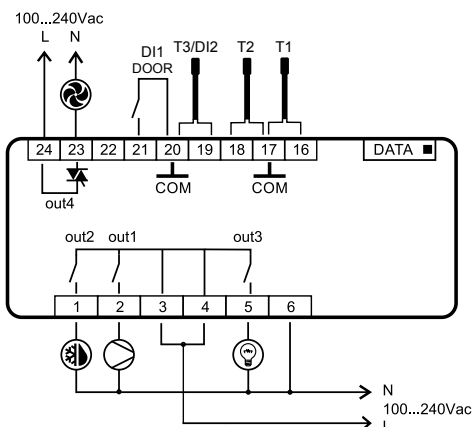
Applications

Fridges and freezers, cold stores, control panels, food warmers, bain-maries.

Series CD5

Functions		-01WHRB	-01WHRW	-02WHTB
Inputs/Outputs	01 Standard 4 inputs, 4 outputs	•	•	
	02 4 inputs, 3 outputs			•
Power Supply	W 100...240Vac	•	•	•
	N Standard			
Relays	H For inflammable gas	•	•	•
	R RS485	•	•	
Serial port	T TTL			•
	N None			
	B Blue	•		•
Display	R Red			
	W White		•	
	- None			
Aesthetical options and F/W	-xxx Extras			

- › Standard Model: CD5-01WHRB
- › All versions are fitted with alarm buzzer



CD5-01WHRx

Technical Data

Range	-50 \pm 110 $^\circ\text{C}$, -58 \pm 180 $^\circ\text{F}$
Resolution	0.1 / 1 $^\circ\text{C}$; $^\circ\text{F}$
Precision	$\pm 0.1^\circ\text{C}$ within the measurement range
Sensor Type	NTC10K Ω @25 $^\circ\text{C}$
Maximum loads of outputs:	
OUT1	15 FLA; 90 LRA; 15A resistive
OUT2	10A resistive @ 120Vac; 7A resistive @ 240Vac
OUT3	10A resistive @ 120Vac; 7A resistive @ 240Vac
OUT4	SSR 1A (30A inrush)
Power Supply	100 \pm 240Vac $\pm 10\%$ 50 \pm 60Hz 3W
Ambiente Temperature	-10 \pm 50 $^\circ\text{C}$