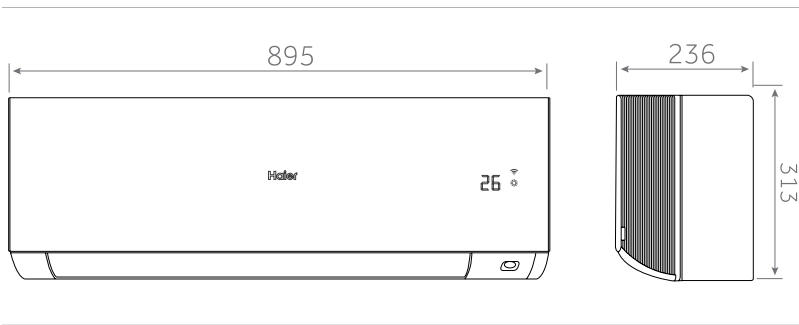


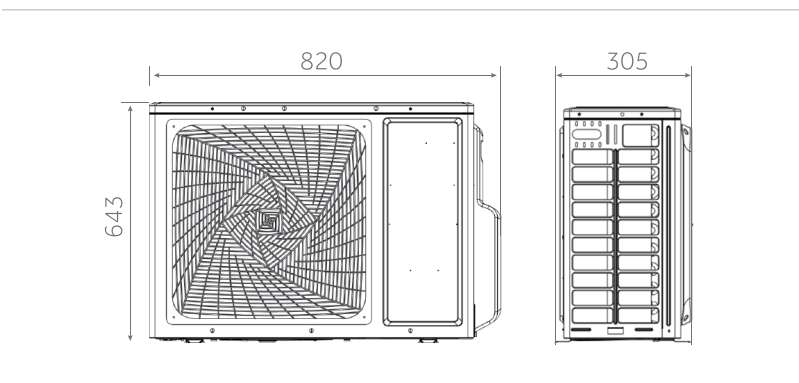
NEW **EXPERT NORDIC**



AS25 - AS35



1U25 - 1U35



2,5 kW

3,5 kW

EXPERT NORDIC ^{NEW}

Haier

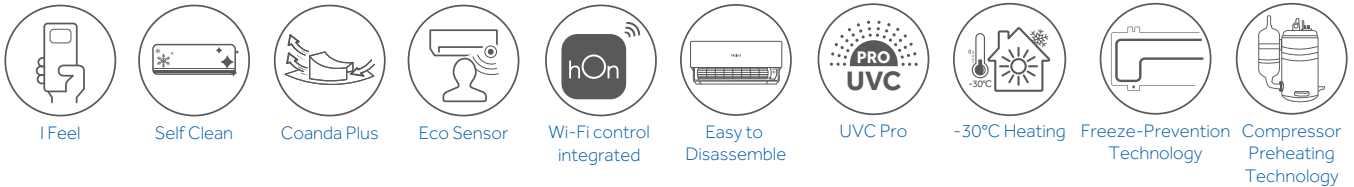
2,5 kW

3,5 kW

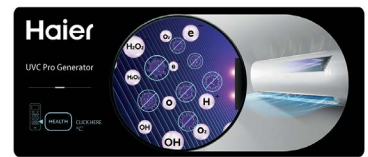
MONOSPLIT



Standard HQ-HJ



- I feel
- Self-Clean
- Eco Sensor
- Wi-Fi control integrated
- Easy to Clean
- UVC Pro
- -30°C Heating
- Freeze-Prevention Technology
- Compressor preheating technology



INDOOR UNIT	Model		AS25XCHHRA-NR	AS35XCHHRA-NR
OUTDOOR UNIT	Model		1U25KEHFRA-NR	1U35KEHFRA-NR
Performance data				
Output power - COOLING	nom (min-max)	kW	2,6 (1,00-3,50)	3,5 (1,00-4,40)
Output power - HEATING	nom (min-max)	kW	3,20 (1,00-7,40)	4,20 (1,30-7,90)
Absorbed power - COOLING	nom (min-max)	kW	0,577 (0,30-1,14)	0,823 (0,40-1,21)
Absorbed power - HEATING	nom (min-max)	kW	0,761 (0,40-2,40)	1,000 (0,40-2,40)
Energy class	EER	W/W	4.50	4.25
	COP	W/W	4.50	4.25
COOLING Pdesign	35 °C	kW	2.60	3.50
HEATING Pdesign	(-10 °C)	kW	3.00	3.60
Energy class	SEER		8.50 (A+++)	8.50 (A+++)
	SCOP		5.10 (A+++)	5.10 (A+++)
Annual Energy Consumption - COOLING		kWh/a	107	144
Annual Energy Consumption - HEATING		kWh/a	824	988
Indoor Unit				
Power supply		Ph/V/Hz	1/230/50	1/230/50
Treated air volume	H	m ³ /h	750	810
Dehumidification		L/h	1.2	1.6
High sound power - COOLING		dB	55	56
High sound power - HEATING		dB	55	56
Sound pressure - COOLING		dB(A)	42/32/24/18	43/33/24/18
Sound pressure -HEATING		dB(A)	42/32/24/18	43/33/24/18
Net dimensions	WxDxH	mm	895x236x313	895x236x313
Packaging dimensions	WxDxH	mm	964x386x316	964x386x316
Net/gross weight		kg	12,4/14,8	12,4/14,8
Outdoor Unit				
Power supply		Ph/V/Hz	1/230/50	1/230/50
Power cable		N x mm ²	3 x 1,5	3 x 1,5
Interconnection cable		N x mm ²	4 x 1,0	4 x 1,0
Sound power	H	dB	62	63
Sound pressure	H	dB(A)	49	50
Running current cooling/heating	Max	A	10,9/10,9	11,36/11,36
Starting current cooling/heating	Max	A	1,5/1,5	1,5/1,5
Net dimensions	WxDxH	mm	820x305x643	820x305x643
Packaging dimensions	WxDxH	mm	940x390x697	940x390x697
Net/gross weight		kg	35,7/38,5	35,7/38,5
Compressor type			Rotary Inverter	Rotary Inverter
Installation data				
Refrigerant			R32	R32
Liquid pipe	∅	mm (inch)	6,35 (1/4)	6,35 (1/4)
Gas pipe	∅	mm (inch)	9,52 (3/8)	9,52 (3/8)
Standard pipe length without refrigerant charge		m	7	7
Maximum pipe length		m	20	20
Maximum IU - OU elevation		m	10	10
Refrigerant charge in the factory		kg	1.1	1.1
Refrigerant charge in the factory		TCO2eq	0.743	0.743
Additional ref. charge over std length		g/m	20	20
Operating limits - COOLING (in/out)	min-max	°C	21~35°C/-20~43°C	
Operating limits - HEATING (in/out)	min-max	°C	10~27°C/-30~24°C	

The data in this catalogue is purely indicative as the data may vary. Please be advised to check the accuracy of the data with the supplier before purchasing products.