

12038

100VAC to 240VAC  
Energy Saving AC Fan

**NEW**



CE cULus

**General Specifications**

- ◆ Frame Size..... 120x120x38mm
- ◆ Material..... Frame: Plastic (UL94V-0), Impeller:Plastic(UL94V-0)  
Lead Wire: UL1007AWG#24 300mm or Terminal
- ◆ Motor Protection..... AF series fans have auto restart function
- ◆ Input Voltage..... A rated voltage range of 100V~240V(50/60Hz) AC&DC ,Rotation speed remains constant even at different input voltages
- ◆ Dielectric Strength..... 50/60Hz 1500 VAC 1min (Between input terminal and frame)
- ◆ Temperature Range.... Operating temperature -20°C~70°C (Non-condensing)  
Storage temperature -40°C~70°C (Non-condensing)
- ◆ Expected life..... Ball Bearing 70,000hrs at 40°C , (approximately 6 years)
- ◆ Fan Specials..... **RD FG PWM IP54 AS**

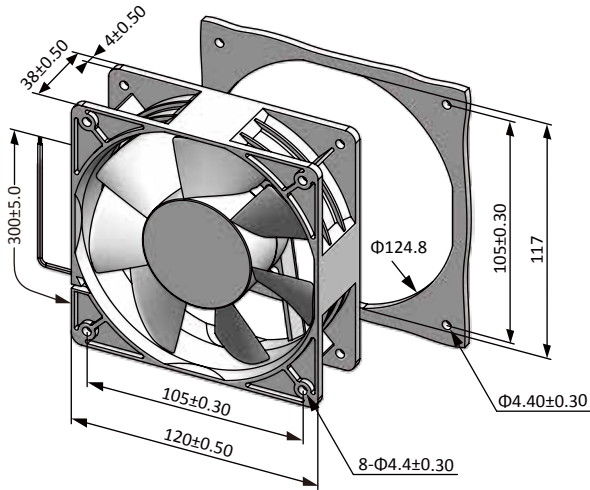
**Specifications**

Model	#Bearing Type	Rated Voltage	Input Current	Input Power	Speed	Max Air Flow		Max Static Pressure		Noise	Weight
Part No.	B	VAC&VDC	Amp	Watt	RPM	CFM	m <sup>3</sup> /min	Inch-H <sub>2</sub> O	Pa	dB-A	g
AF12038B**HL(T)	B	100~240	0.18	9.50	3500	139.10	3.94	0.45	111.47	47.0	540.0
AF12038B**ML(T)	B	100~240	0.12	6.20	3000	115.01	3.26	0.32	80.53	43.0	540.0
AF12038B**LL(T)	B	100~240	0.08	4.20	2500	94.72	2.68	0.24	59.07	40.0	540.0

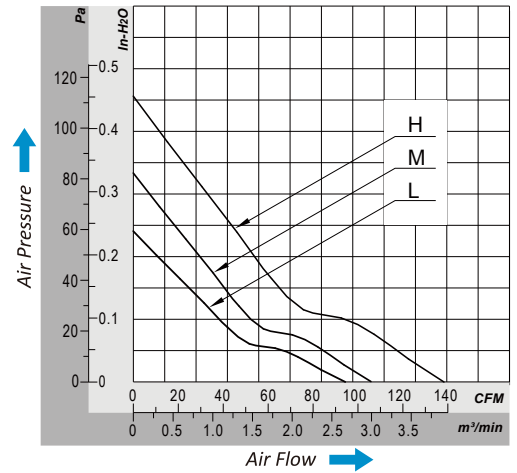
Specifications are subject to change without notice. Please visit our website at <http://www.szhxht.com> for update information

Note: "11" is 110 VAC, "22" is 220 VAC, (L) is Leadwire, (T) is Terminal

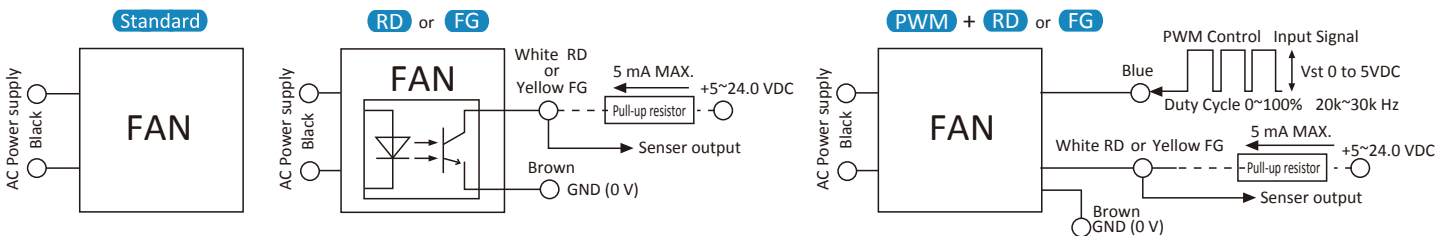
**Dimensions (Unit:mm)**



**PQ Curve (At rated Voltage)**



**Wiring Diagram**



Note: Standard AF fan have two lead wire or Terminal.  
RD or FG, have 4 lead wires. RD is White color, FG is Yellow color, Brown is Ground  
PWM with RD or FG signal have 5 lead wires, PWM is Blue color, Brown is Ground