

9238

100VAC to 240VAC
Energy Saving EC Fan



General Specifications

- ◆ Frame Size..... 92x92x38mm
- ◆ Material..... Frame: Plastic (UL94V-0), Impeller:Plastic(UL94V-0)
Lead Wire: UL1007AWG#24 300mm or Terminal
- ◆ Motor Protection..... AF series fans have auto restart function
- ◆ Input Voltage..... A rated voltage range of 100V~240V(50/60Hz) AC&DC ,Rotation speed remains constant even at different input voltages
- ◆ Dielectric Strength..... 50/60Hz 1500 VAC 1min (Between input terminal and frame)
- ◆ Temperature Range.... Operating temperature -20°C~70°C (Non-condensing)
Storage temperature -40°C~70°C (Non-condensing)
- ◆ Expected life..... Ball Bearing 70,000hrs at 40°C (approximately 6 years)
- ◆ Fan Specials..... **RD** **FG** **PWM** **IP54** **AS**

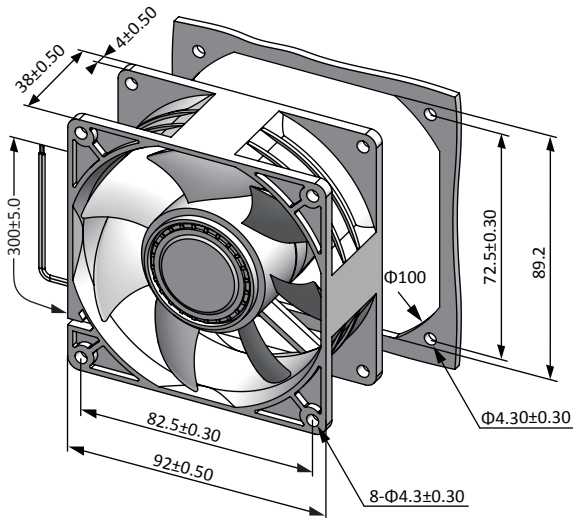
Specifications

| Model | #Bearing Type | Rated Voltage | Input Current | Input Power | Speed | Max Air Flow | | Max Static Pressure | | Noise | Weight |
|-----------------|---------------|---------------|---------------|-------------|-------|--------------|---------------------|-----------------------|-------|-------|--------|
| Part No. | B | VAC&VDC | Amp | Watt | RPM | CFM | m ³ /min | Inch-H ₂ O | Pa | dB-A | g |
| AF09238B**HL(T) | B | 100~240 | 0.11 | 5.50 | 3500 | 82.19 | 2.33 | 0.34 | 84.41 | 52.0 | 177.0 |
| AF09238B**ML(T) | B | 100~240 | 0.06 | 2.80 | 3000 | 67.01 | 1.90 | 0.25 | 61.98 | 49.0 | 177.0 |
| AF09238B**LL(T) | B | 100~240 | 0.05 | 2.20 | 2500 | 59.73 | 1.69 | 0.20 | 49.05 | 42.0 | 177.0 |

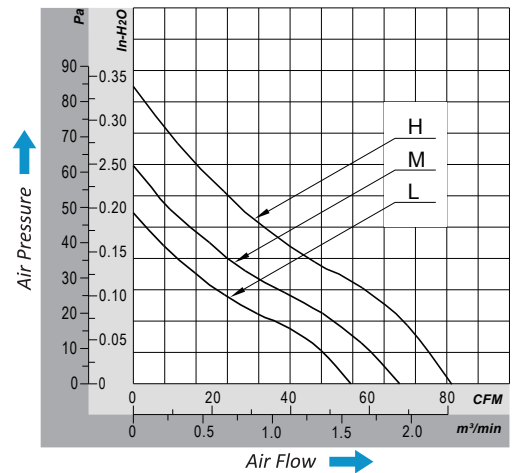
Specifications are subject to change without notice. Please visit our website at <http://www.szhxht.com> for update information

Note: "11" is 110 VAC, "22" is 220 VAC, (L) is Leadwire, (T) is Terminal

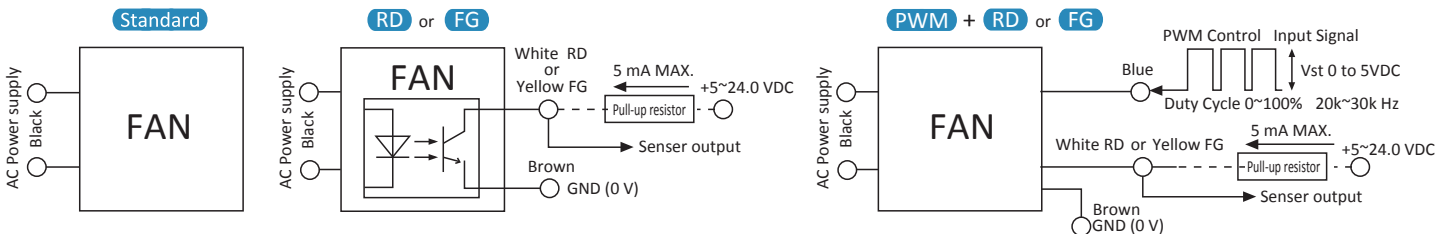
Dimensions (Unit:mm)



PQ Curve (At rated Voltage)



Wiring Diagram



Note: Standard AF fan have two lead wire or Terminal.

RD or FG, have 4 lead wires. RD is White color, FG is Yellow color, Brown is Ground
PWM with RD or FG signal have 5 lead wires, PWM is Blue color, Brown is Ground