

# AC1-5

77 x 35 x 77 mm



## Two channel universal Controller, ON/OFF or PID

### Main features

- Runs on universal mains power supply
- PID with autotuning or ON/OFF control
- Main output on 12A relay or for SSR-piloting and auxiliary output on 5A relay
- Input for 0÷1V, 0/4÷20mA, PTC/NTC10K, TC J/K or Pt100
- 0.1 / 1°C or 1°F resolution
- Selectable Refrigerating/Heating (Dehumidifying/Humidifying) control
- Absolute or relative temperature alarms
- ON/OFF button on front
- Connectivity to LAE TAB supervisory systems

### Applications

**Temperature:** Control of small cold stores, refrigerated cabinets and tables, heating systems, heated cupboards, bains-marie, ovens, laboratory equipment.

**Humidity:** Control of greenhouses, seasoning cells, cold rooms, air-conditioned rooms.

### Series AC1-5

Functions	AC1-5T...	AC1-5P...	AC1-5J...	AC1-5A...	AC1-5I...	
<b>Input type</b>	PTC	NTC10K*	Pt100	TC "J" TC "K"	0÷1V	0/4÷20mA
<b>Range</b>	-50 +150°C	-40 +125°C	-100 +850°C	-50 +750°C	-50 +999°C	Configurable in setup
<b>Accuracy</b>	±0.3°C	±0.3°C	±0.3°C <sup>[a]</sup> ±1°C <sup>[b]</sup>	±3°C	±3mV	±0.2mA
<b>Resolution</b>	0.1 / 1°C / 1°F		1°C / 1°F		0.1 / 1	
<b>Panel cut-out</b>	71 x 29 mm (W x H)					
<b>Ambient temperature</b>	-10÷50°C					

<sup>[a]</sup> -50÷150°C; <sup>[b]</sup> remaining range

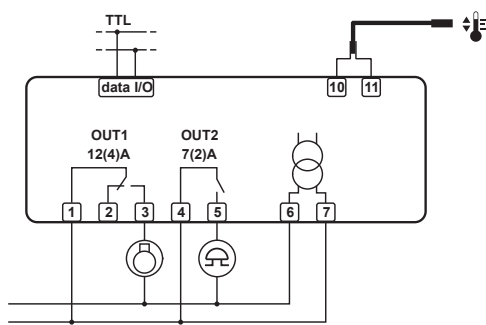
\* The standard NTC10K is the SN4B20P1

### How to order:

- AC1-5TS2RW-A (PTC/NTC10K input, screw terminals, 2 relays, 115÷230Vac supply voltage, TTL port)
- AC1-5JS2MW-B (J/K TC input, screw terminals, output 1 on SSR drive, output 2 on relay, 115÷230Vac supply voltage, RS485 port)

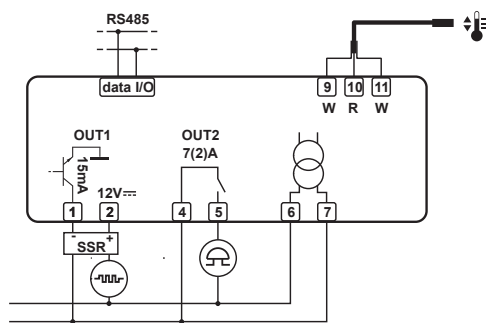
➤ On request, the AC1-5 is also available with gasket for a better protection between bezel and panel.

➤ In order to know versions available, please consult LAE or our local dealer.



115...230V~

AC1-5TS2RW-A



115...230V~

AC1-5PS2MW-B

	AC1-5	T	S	2	R	W	-B
		(1)	(2)	(3)	(4)	(5)	(6)
Pos.	Function	Description					
(1)	Input	A = 0÷1V; I = 0/4÷20mA; J = TC 'J'/'K'; P = Pt100; T = PTC/NTC10K					
(2)	Connections	S = built-in screw terminals					
(3)	Output No.	1 = one; 2 = two					
(4)	Output type	R = relay; M = Out1 on SSR, Out2 on relay					
(5)	Supply	D* = 12Vac/dc; W = 115...230Vac 50/60Hz; 3 W					
(6)	Serial comm	Nil = no; -A = TTL; -B = RS485					

\* = in the version with 12Vac/dc power supply, the maximum voltage on the outputs is 50Vac/dc, in order to ensure safety insulations.