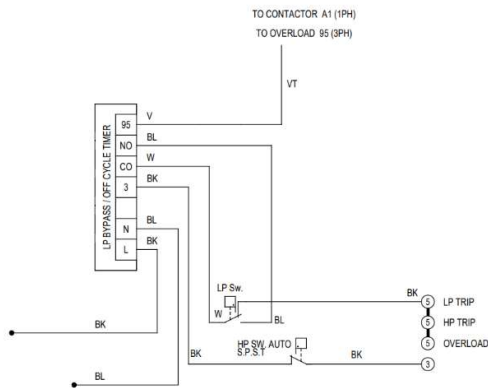


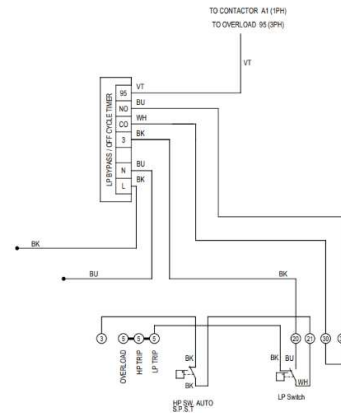
**3-min timer PCB (04001023) to Timer/Relay (55033167) instructions:**

### CKC



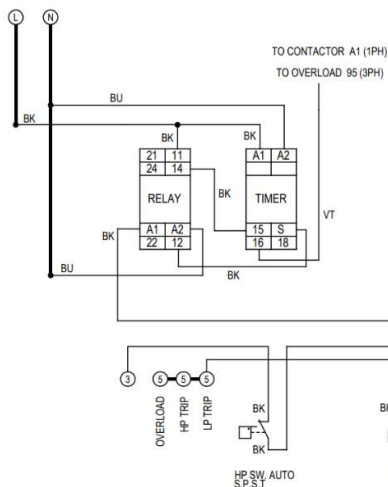
1. Remove 3-min timer PCB
2. Fit new timer/relay assembly
3. Wire L from PCB to new terminal N
4. Wire N from PCB to new terminal L
5. Wire HP wire from PCB to terminal 21
6. Wire LP (white) to terminal 21
7. Wire LP (blue) to terminal 20
8. Wire violet to GEYA timer terminal 16

### MRC



1. Remove 3-min timer PCB and LP blue & white wires from terminals 30 & 31
2. Fit new timer/relay assembly
3. Wire L from PCB to new terminal L
4. Wire N from PCB to new terminal N
5. Wire from terminal 20 to GEYA timer terminal 20
6. Wire violet to GEYA timer terminal 16

See Completed Wiring Diagram Below



Please note: Holes will be required to be drilled on-site for fitting of din rail.