

Compatibility

Residential MultiSplit Inverter



SELF - CLEAN
1:2 2U40S2SM1FA
2U50S2SM1FA-3



1:3 3U55S2SR5FA
3U70S2SR5FA



1:4 4U75S2SR5FA
4U85S2SR5FA



1:5 5U90S2SS5FA
5U105S2SS5FA
5U125S2SN1FA

Outdoor Unit		Model	2U40S2SM1FA	2U50S2SM1FA-3	3U55S2SR5FA	3U70S2SR5FA	4U75S2SR5FA	4U85S2SR5FA	5U90S2SS5FA	5U105S2SS5FA	5U125S2SN1FA
Performance data											
Output power - COOLING	nom (min-max)	KW	4,00 (1,00-4,50)	4,60 (1,30-6,00)	5,50 (2,10-7,00)	7,00 (2,40-7,60)	7,50 (2,40-8,70)	8,50 (3,20-9,50)	9,00 (3,20-11,00)	10,00 (3,20-11,00)	12,50 (3,20-13,80)
Output power - HEATING	nom (min-max)	KW	4,00 (1,50-4,80)	5,20 (1,60-6,50)	6,80 (1,70-7,60)	7,60 (2,90-8,50)	8,60 (3,10-10,00)	9,60 (4,40-10,50)	10,40 (4,40-11,50)	10,50 (4,40-11,50)	12,70 (4,40-14,30)
Absorbed power - COOLING	nom (min-max)	KW	0,89 (0,30-1,65)	1,07 (0,35-2,01)	1,35	1,84	1,97	2,50	2,79	3,47	3,87
Absorbed power - HEATING	nom (min-max)	KW	0,98 (0,38-1,80)	1,21 (0,52-2,00)	1,66	1,85	2,15	2,40	2,79	2,82	3,40
Energy class	EER	W/W	4,50	4,30	4,00	3,81	3,80	3,40	3,23	2,88	3,23
	COP	W/W	4,50	4,30	4,10	4,10	4,00	4,00	3,73	3,73	3,73
COOLING Pdesign	35 °C	KW	4,00	4,60	5,50	7,00	7,50	8,00	9,00	10,00	12,50
HEATING Pdesign	(-10 °C)	KW	3,70	3,80	4,70	6,00	6,30	7,00	7,20	8,00	9,50
Energy class	SEER		8,50 (A+++)	8,50 (A+++)	8,50 (A+++)	7,50 (A++)	7,00 (A++)	7,00 (A++)	7,00 (A++)	7,00 (A++)	7,10 (A++)
	SCOP		4,60 (A++)	4,60 (A++)	4,00 (A+)	4,20 (A+)	4,00 (A+)	4,00 (A+)	4,00 (A+)	4,00 (A+)	4,05 (A+)
Annual Energy Consumption - COOLING		kWh/a	165	189	227	332	379	456	457	537	622
Annual Energy Consumption - HEATING		kWh/a	1126	1157	1678	2012	2179	2503	2441	2889	3346
Outdoor Unit											
Power supply		Ph/V/Hz	1/220 (240/50/60)								
Power cable		N x mm2	3 x 2,5	3 x 2,5	3 x 4,0	3 x 4,0	3 x 4,0	3 x 4,0	3 x 4,0	3 x 4,0	3 x 4,0
Interconnection cable		N x mm2	4 x 1,0	4 x 1,0	4 x 2,5	4 x 2,5	4 x 2,5	4 x 2,5	4 x 2,5	4 x 2,5	4 x 2,5
Air Volume		m3/h	2200	2400	3000	3000	4000	4000	4 200	4 200	4 200
Sound power		dB	62	63	64	66	68	68	70	70	73
Sound pressure		dB(A)	56	56	51	53	55	55	55	55	58
Running current cooling/heating	Max	A	7,4/8,2	9,0/8,9	10,8/9,5	11,9/9,7	14,7/13,5	15,5/14,6	18,2/14,6	18,2/14,6	23,0/18,7
Starting current cooling/heating	Max	A	1,0/1,0	1,0/1,0	4,0/4,0	4,0/4,0	5,0/5,0	5,0/5,0	5,0/5,0	5,0/5,0	5,0/5,0
Net dimensions	WxDxH	mm	800x280x550	800x280x550	890x340x700	890x340x700	890x340x700	890x340x700	920x372x765	920x372x765	950x370x965
Packaging dimensions	WxDxH	mm	908x405x625	908x405x625	1010x455x835	1010x455x835	1010x455x835	1010x455x835	1045x488x890	1045x488x890	1050x485x1170
Net/gross weight		kg	34,0/37,0	36,0/39,0	50,0/59,0	54,0/63,0	61,0/70,0	61,0/70,0	66,0/77,0	66,0/77,0	79,0/91,0
Compressor type			Twin rotary inverter								
Installation data											
Refrigerant			R32	R32	R32	R32	R32	R32	R32	R32	R32
Liquid pipe	Ø	mm (Inch)	2x6,35 (3x1/4)	2x6,35 (3x1/4)	3x6,35 (3x1/4)	3x6,35 (3x1/4)	4x6,35 (4x1/4)	4x6,35 (4x1/4)	5x6,35 (5x1/4)	5x6,35 (5x1/4)	5x6,35 (5x1/4)
Gas pipe	Ø	mm (Inch)	2x9,52 (3x3/8)	2x9,52 (3x3/8)	3x9,52 (3x3/8)	3x9,52 (3x3/8)	3x9,52+1x12,70 (3x3/8+1x1/2)	3x9,52+2x12,70 (3x3/8+2x1/2)			
Standard pipe length without refrigerant charge	m		5	5	30	30	40	40	40	40	50
Maximum pipe length	m		20 (single) 30 (double)	20 (single) 30 (double)	50	60	70	70	80	80	100
Maximum IU - OU elevation	m		15	15	15	15	15	15	15	15	15
Maximum IU - OU elevation	m		7,5	7,5	7,5	7,5	7,5	7,5	7,5	7,5	7,5
Refrigerant charge in the factory	kg		1,00	1,10	1,40	1,60	1,60	2,20	2,40	2,40	2,50
Refrigerant charge in the factory	TCO2eq		0,68	0,74	0,95	1,08	1,08	1,49	1,62	1,62	1,69
Additional ref. charge over std length	g/m		20	20	20	20	20	20	20	20	20
Outdoor operating limits - COOLING	min-max	°C	-10° - 43°C				-10° - 46°C				

4,0 kW

7,0 kW

10,5 kW

5,0 kW

8,5 kW

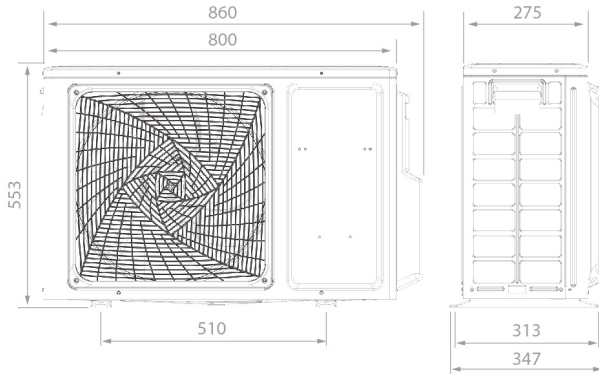
12,5 kW

5,5 kW

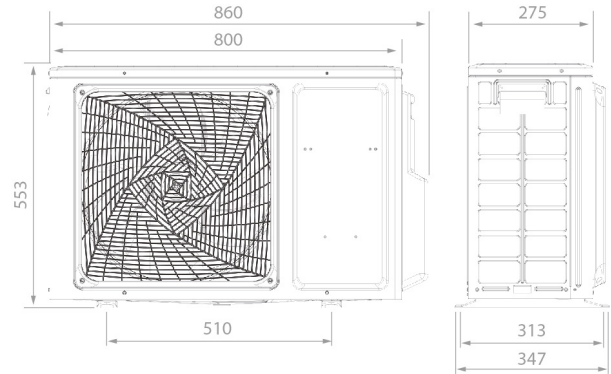
9,0 kW

Haier

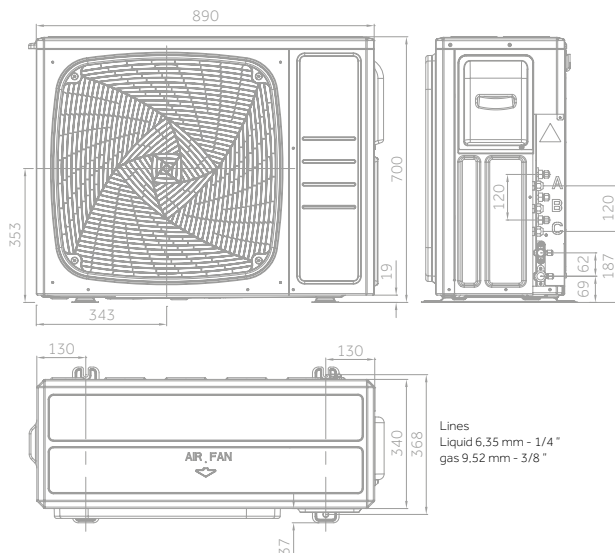
2U40S2SM1FA (2 couplings)



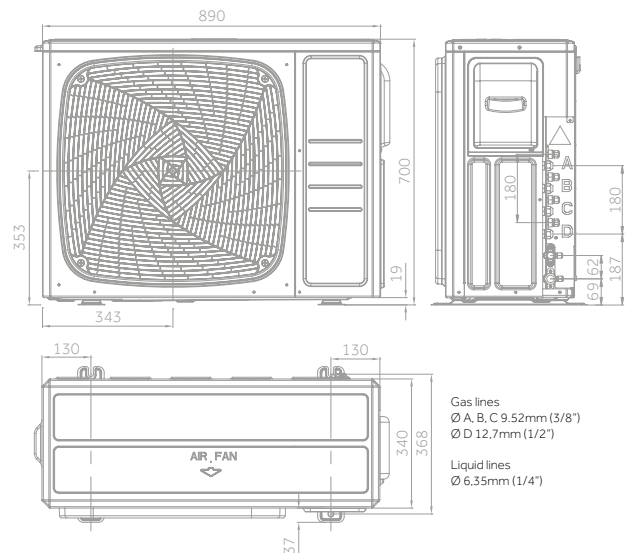
2U50S2SM1FA-3 (2 couplings)



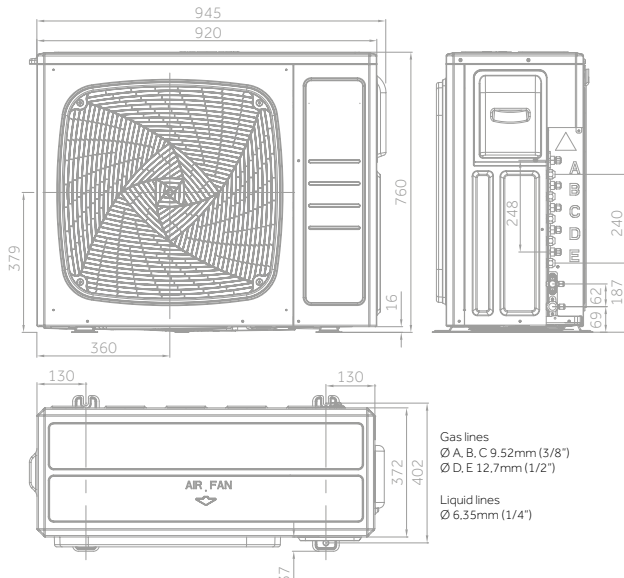
3U55S2SR5FA - 3U70S2SR5FA (3 couplings)



4U75S2SR5FA - 4U85S2SR5FA (4 couplings)



5U90S2SS5FA - 5U105S2SS5FA (5 couplings)



5U125S2SN1FA (5 couplings)

