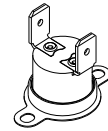


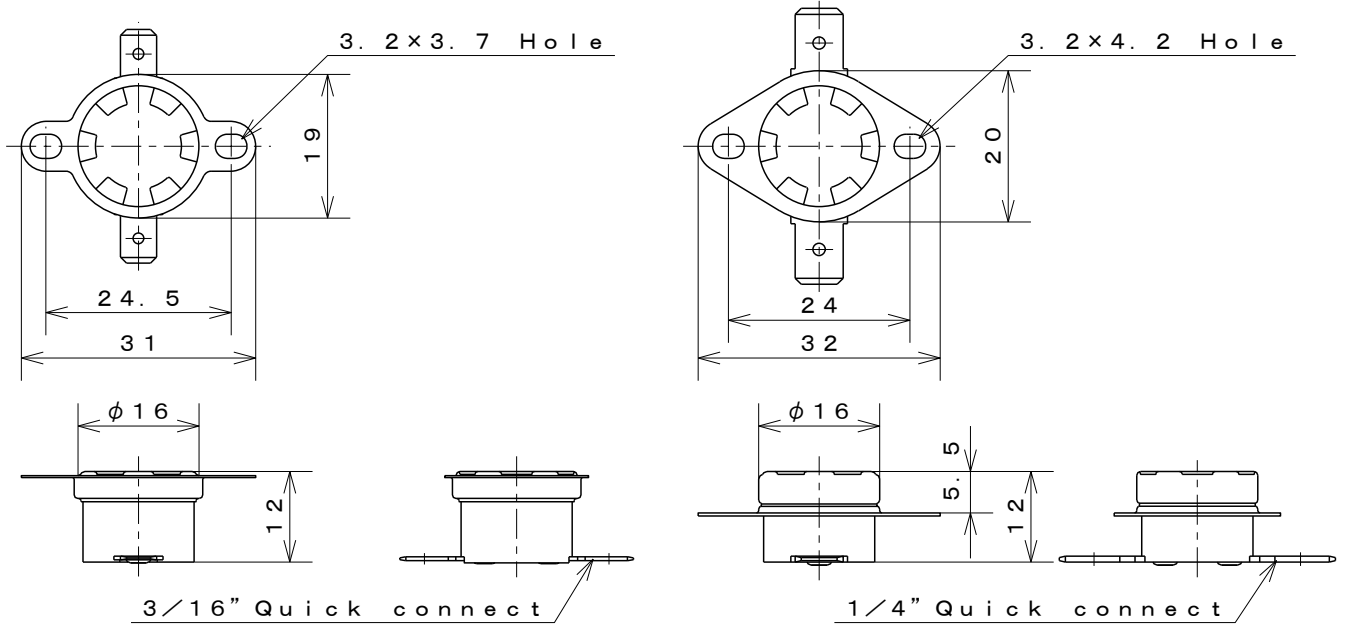


1/2" Disc Type Thermostat High Temp. Type

Type 52N



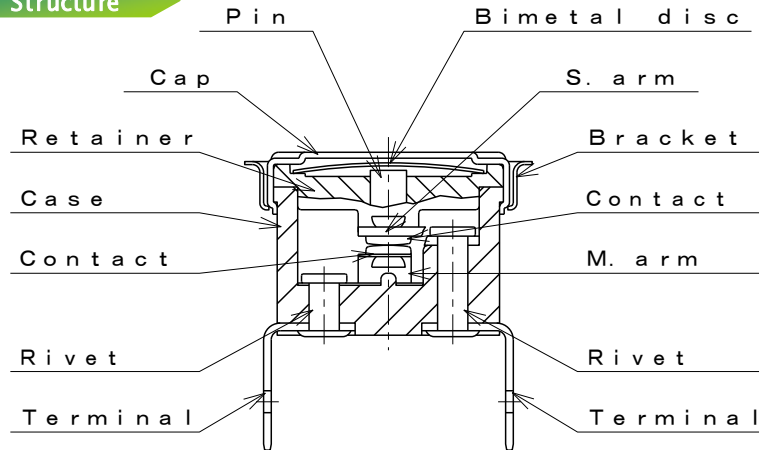
Dimensions



Materials of parts

Part	Material
Cap	Aluminum Copper Stainless steel
Case	Ceramic
M.arm	Beryllium Copper alloy
Terminals	Brass, Steel
Bracket	Stainless steel
Contacts	Silver-Nickel alloy

Structure



Specification

Item	Specification	★Compliance with RoHS Directives
1. Basic features	SPST Automatic reset	
2. Operation	A : Contacts open on temperature rise B : Contacts close on temperature rise	
3. Electrical rating	AC125V/15A AC250V/10A	
4. Calibration method	Hot & cold air circulation system	
5. Temperature rating	Operating temperature Max. 230°C	
6. Insulation resistance	Not less than 1,000MΩ/DC500V	
7. Dielectric strength	Not less than AC1,500V/1min. or AC1,800V/1sec.	

Safety Approval

Agency	Standard	Electrical rating	Max Temp.	File No.
CMJ		Res.AC250V/15A 10,000 cycles	200°C	J-202
KC	KC60730-1, K60730-2-9	Res.AC250V/16A 20,000 cycles	230°C	YU02024-13002
UL	EN IEC60079-0, -15	Res.AC125V/15A AC250V/16A 10,000 cycles	135°C	UL21 ATEX 2621U
UL	UL873	Res.AC125V/15A 100,000 cycles	200°C	E43273
UL	UL873	Res.AC250V/10A 100,000 cycles	230°C	E43273
UL	UL873	Res.AC120V/15A 30,000 cycles	260°C	E43273
UL	UL873	Ind.AC125V/15A AC250V/10A 6,000 cycles	200°C	E43273
cUL	CSA C22.2 No.24	Res.AC125V/15A 100,000 cycles	200°C	E43273
cUL	CSA C22.2 No.24	Res.AC250V/10A 100,000 cycles	230°C	E43273
cUL	CSA C22.2 No.24	Res.AC120V/15A 30,000 cycles	260°C	E43273
cUL	CSA C22.2 No.24	Ind.AC125V/15A AC250V/10A 100,000 cycles	200°C	E43273
EN(VDE)	EN 60730-1, -2-9	Res.AC250V/10A 100,000 cycles	230°C	40004992
EN(VDE)	EN 60730-1, -2-9	Res.AC250V/16A 10,000 cycles	230°C	40004992