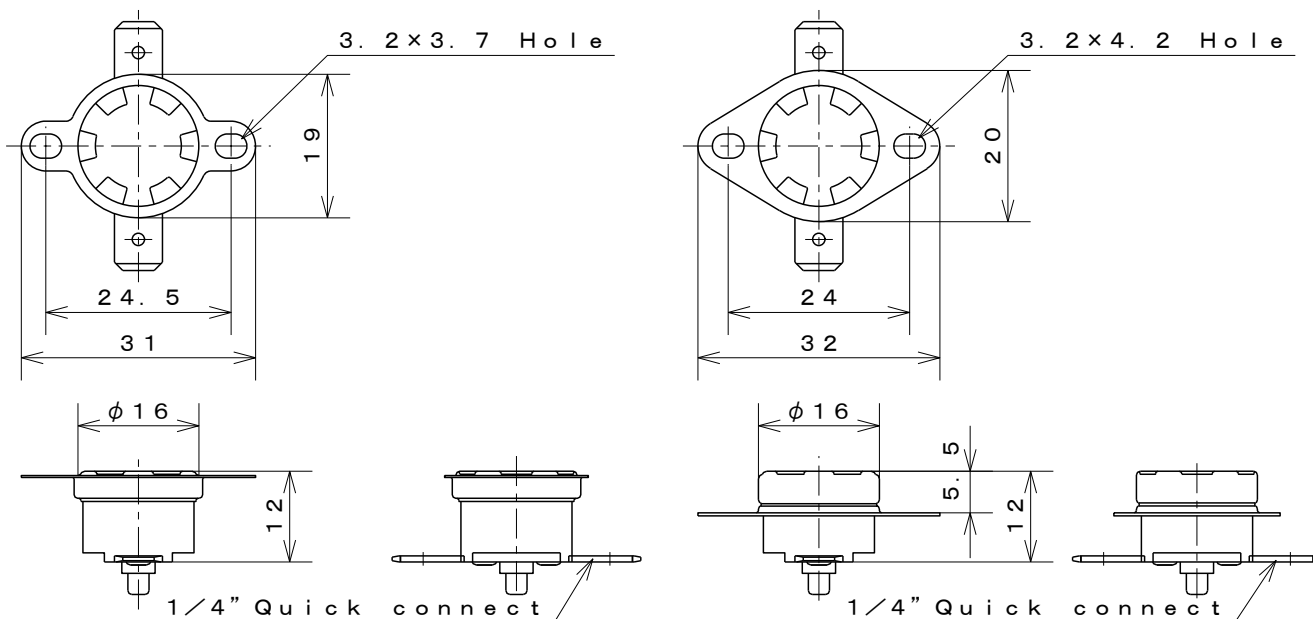


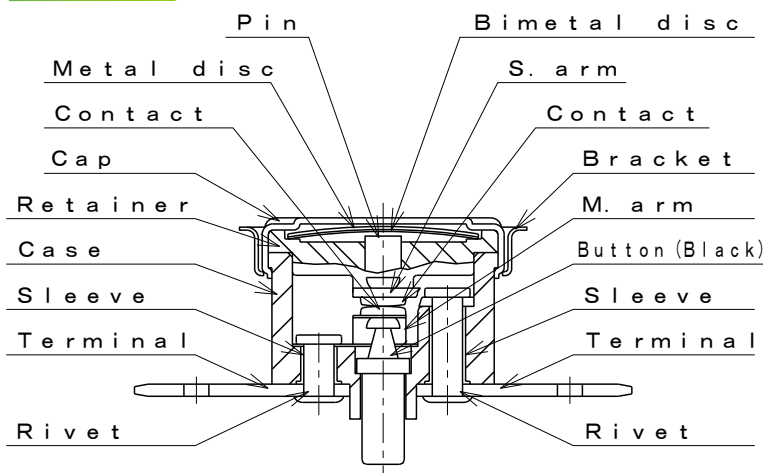
Dimensions



Materials of parts

Part	Material
Cap	Aluminum Copper Stainless steel
Case	Phenolic resin
M.arm	Beryllium Copper alloy
Terminals	Brass
Bracket	Stainless steel
Contacts	Silver-Nickel alloy
Button	Phenolic resin

Structure



Specification

Item	Specification	★Compliance with RoHS Directives
1. Basic features	SPST Manual reset	
2. Operation	A : Contacts open on temperature rise Not automatic reset	
3. Electrical rating	AC125V/15A AC250V/10A	
4. Calibration method	Hot & cold air circulation system	
5. Temperature rating	Operating temperature Max. 150°C	
6. Insulation resistance	Not less than 1,000MΩ/DC500V	
7. Dielectric strength	Not less than AC1,500V/1min. or AC1,800V/1sec.	

Safety Approval

Agency	Standard	Electrical rating	Max Temp.	File No.
UL	UL60730-1,-2-9 Temperature limiter	Res.AC250V/16A	150°C	E43273
cUL	CAN/CSA E60730-1,-2-9 Temperature limiter	Res.AC250V/16A	150°C	E43273
EN(VDE)	EN 60730-1, -2-9	Res.AC250V/16A	150°C	40012267