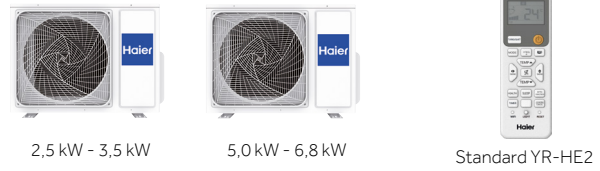
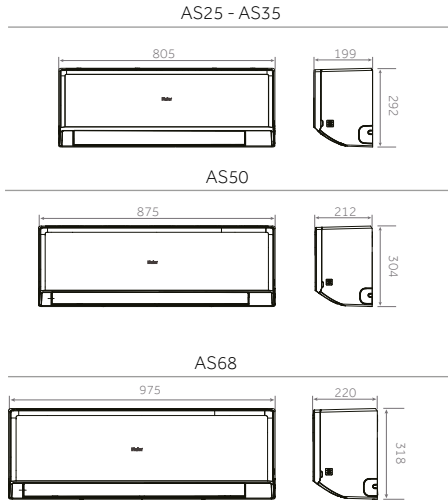


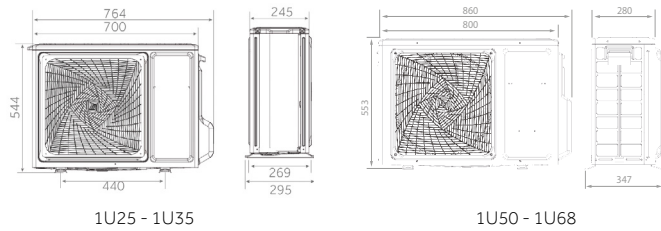
## Technical Illustrations

## Outdoor Unit

## Controller



## Outdoor Dimensions



INDOOR UNIT			Model	AS25RBAHRA-3	AS35RBAHRA-4	AS50RCBHRA-4	AS68RDAHRA-4
OUTDOOR UNIT			Model	1U25YEGFRA-3	1U35YESFRA-4	1U50MERFRA-4	1U68MRAFRA-4
<b>Performance data</b>							
Output power - COOLING	nom (min-max)	kW		2,7 (0,7-3,4)	3,2 (0,8-3,8)	4,8 (1,3-5,4)	6,2 (1,3-7,4)
Output power - HEATING	nom (min-max)	kW		2,9 (0,7-3,6)	3,9 (0,7-4,0)	4,8 (1,3-5,4)	6,3 (1,4-7,5)
Absorbed power - COOLING	nom (min-max)	kW		0,84 (0,3-1,1)	1,19 (0,3-1,3)	1,7 (0,4-1,9)	2,0 (0,4-2,2)
Absorbed power - HEATING	nom (min-max)	kW		0,78 (2,3-1,2)	1,42 (0,4-1,6)	1,33 (0,4-1,9)	1,75 (0,6-2,3)
Energy class	EER	W/W		3,23	2,94	2,81	3,1
	COP	W/W		3,71	2,74	3,6	3,61
COOLING Pdesign	35 °C	kW		2,7	3,2	4,8	6,2
HEATING Pdesign	(-10 °C)	kW		2,6	3,0	3,6	4,6
Energy class	SEER			6,5 (A++)	6,1 (A++)	6,3 (A++)	6,7 (A++)
	SCOP			4 (A+)	4,0 (A+)	4 (A+)	4 (A+)
Annual Energy Consumption - COOLING		kWh/a		145	184	267	324
Annual Energy Consumption - HEATING		kWh/a		910	1050	1260	1610
<b>Indoor Unit</b>							
Power supply		Ph/V/Hz		1/220-240/50	1/220-240/50	1/220-240/50	1/220-240/50
Treated air volume	H	m <sup>3</sup> /h		610/550	620	770/810	1100/1000
Dehumidification		L/h		1,2	1,2	2	2,8
High sound power - COOLING		dB		54	59	60	64
High sound power - HEATING		dB		54	59	60	64
Sound pressure - COOLING		dB(A)		37/32/28/18	38/33/29/18	44/40/35/28	47/45/37/29
Sound pressure - HEATING		dB(A)		37/32/28/18	38/33/29/18	44/40/35/28	47/45/37/29
Net dimensions	WxDxH	mm		805x199x292	805x199x292	875x212x304	975x222x318
Packaging dimensions	WxDxH	mm		876x365x272	876x272x365	945x390x296	1050x397x301
Net/gross weight		kg		8,8/10,5	8,8/10,9	10,0/12,0	11,6/14,4
<b>Outdoor Unit</b>							
Power supply		Ph/V/Hz		1PH/220-240/50	1PH/220-240/50	1PH/220-240/50	1PH/220-240/50
Power Cable		N x mm <sup>2</sup>		3 x 1,0	3 x 1,0	3 x 2,5	3 x 2,5
Interconnection cable		N x mm <sup>2</sup>		4 x 1,0	4 x 1,0	4 x 1,0	4 x 1,0
Sound power	H	dB		63	64	65	68
Sound pressure	H	dB(A)		49	51	54	57
Running current cooling/heating	Max	A		5,3/6,4	5,6/7,3	8,6	10/10,5
Starting current cooling/heating	Max	A		1,5/1,5	1,5/1,5	2,0/2,0	2,0/2,0
Net dimensions	WxDxH	mm		700x245x544	700x245x544	800/275/553	800/275/553
Packaging dimensions	WxDxH	mm		819x320x592	819x320x592	902/375/607	902/375/607
Net/gross weight		kg		23,6/26	22,0/24,6	29,2/32,1	32,7/36,5
Compressor type				Rotary inverter	Rotary Inverter	Rotary Inverter	Twin rotary inverter
<b>Installation data</b>							
Refrigerant				R32	R32	R32	R32
Liquid pipe	Ø	mm (inch)		6,35 (1/4)	6,35 (1/4)	6,35 (1/4)	6,35 (1/4)
Gas pipe	Ø	mm (inch)		9,52 (3/8)	9,52 (3/8)	12,70 (1/2)	12,70 (1/2)
Standard pipe length without refrigerant charge		m		5	5	7	7
Maximum pipe length		m		20	20	20	25
Maximum IU - OU elevation		m		10	10	15	15
Refrigerant charge in the factory		kg		510	0,51	780	900
Refrigerant charge in the factory		TCO2eq		0,34	0,34	0,53	0,61
Additional ref. charge over std length		g/m		20	20	20	20
Operating limits - COOLING (in/out)	min-max	°C		21-35/-20-43			
Operating limits - HEATING (in/out)	min-max	°C		10-27/-20-24			